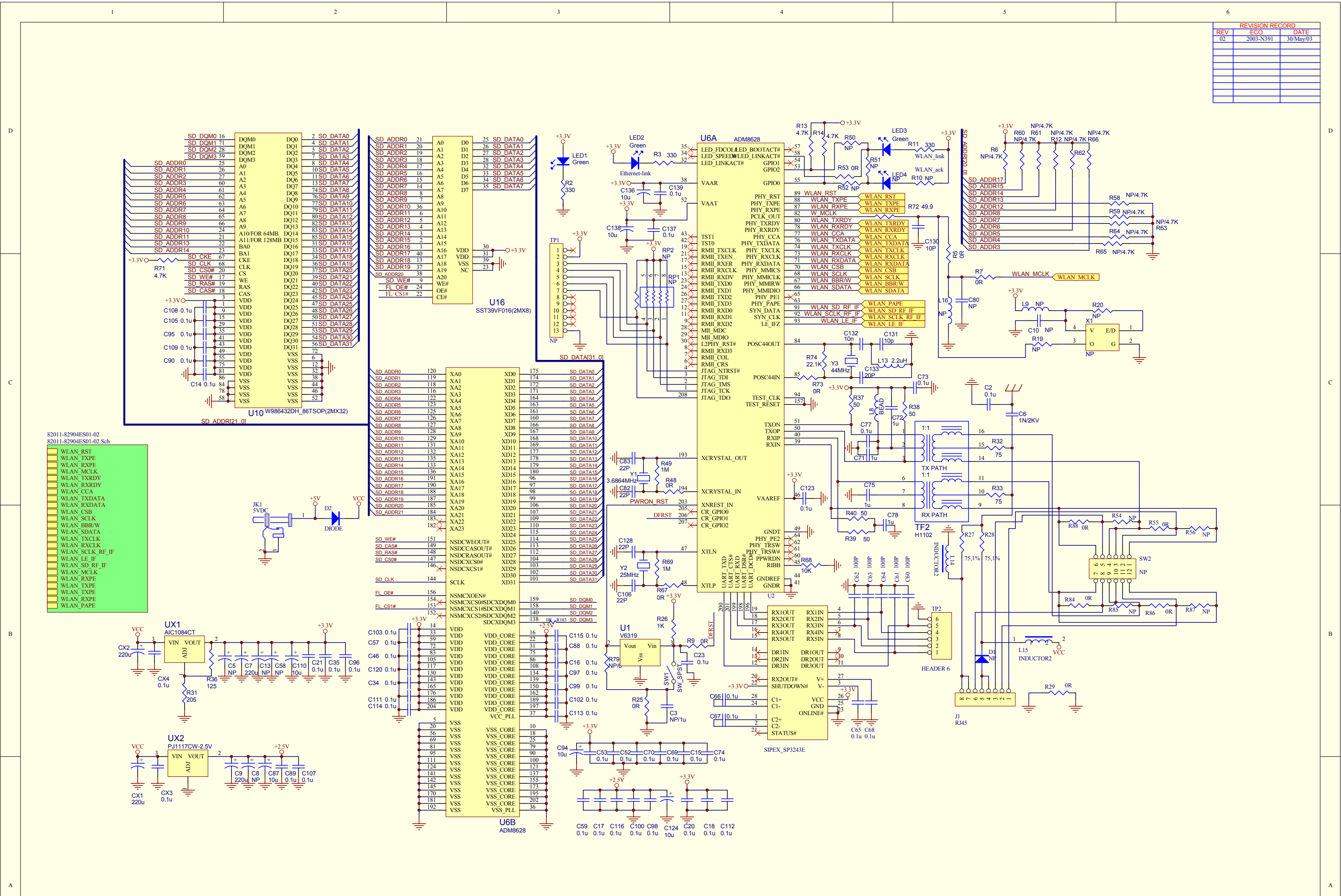


REVISION RECORD		
REV	ECO	DATE
02	2003-N391	30 May 03



- 82011-82904ES01-02
- 82011-82904ES01-02\_Sch
- WLAN\_RST
- WLAN\_TXPE
- WLAN\_RXPE
- WLAN\_MCLK
- WLAN\_TXRDY
- WLAN\_RXRDY
- WLAN\_CCA
- WLAN\_TXDATA
- WLAN\_RXDATA
- WLAN\_SCLK
- WLAN\_SCLK\_RF\_IF
- WLAN\_LE\_IF
- WLAN\_SD\_RF\_IF
- WLAN\_MCLK
- WLAN\_RXPE
- WLAN\_TXPE
- WLAN\_RXPE
- WLAN\_PAPE

REV	ISSUED	DATE	CHECKED	DATE	APPROVED	DATE
02						

DWG TITLE: WA254D SCHEMATIC

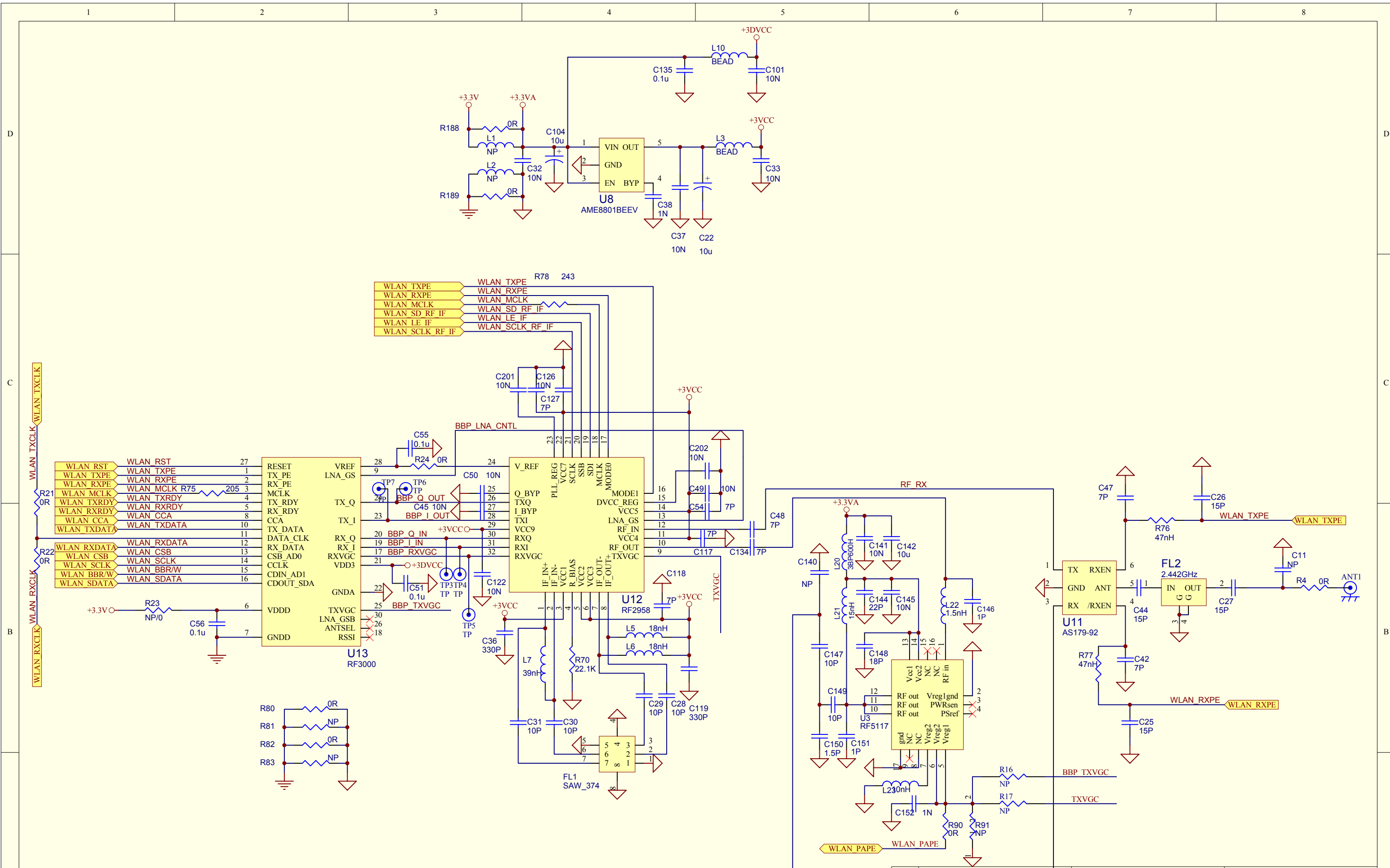
DRAWN: Erica DATE: 30/May/2003 USED ON:  

CHECKED:  DATE:  

APPROVED:  DATE:  

Size: A Sheet 1 of 2 DWG NO.: 82011-82904 ES01

File Name: E:\備份區\發行資料區\WA254D(41713-82902)\PCB\41713-82902-02(WA254D).dbs Documents\41713-82902-02-B\820



02	REV	ISSUED	DATE	CHECKED	DATE	APPROVED	DATE
DWG TITLE							
<b>WA254D SCHEMATIC</b>							
DRAWN		Erica		DATE		30/May/2003	
CHECKED				DATE		USED ON	
APPROVED				DATE		DWG NO.	
						<b>82011-82904 ES01</b>	
File Name: E:\備份區\已發行資料區\WA254D(41713-82902)\PCB\41713-82902-02(WA254D).ddb							