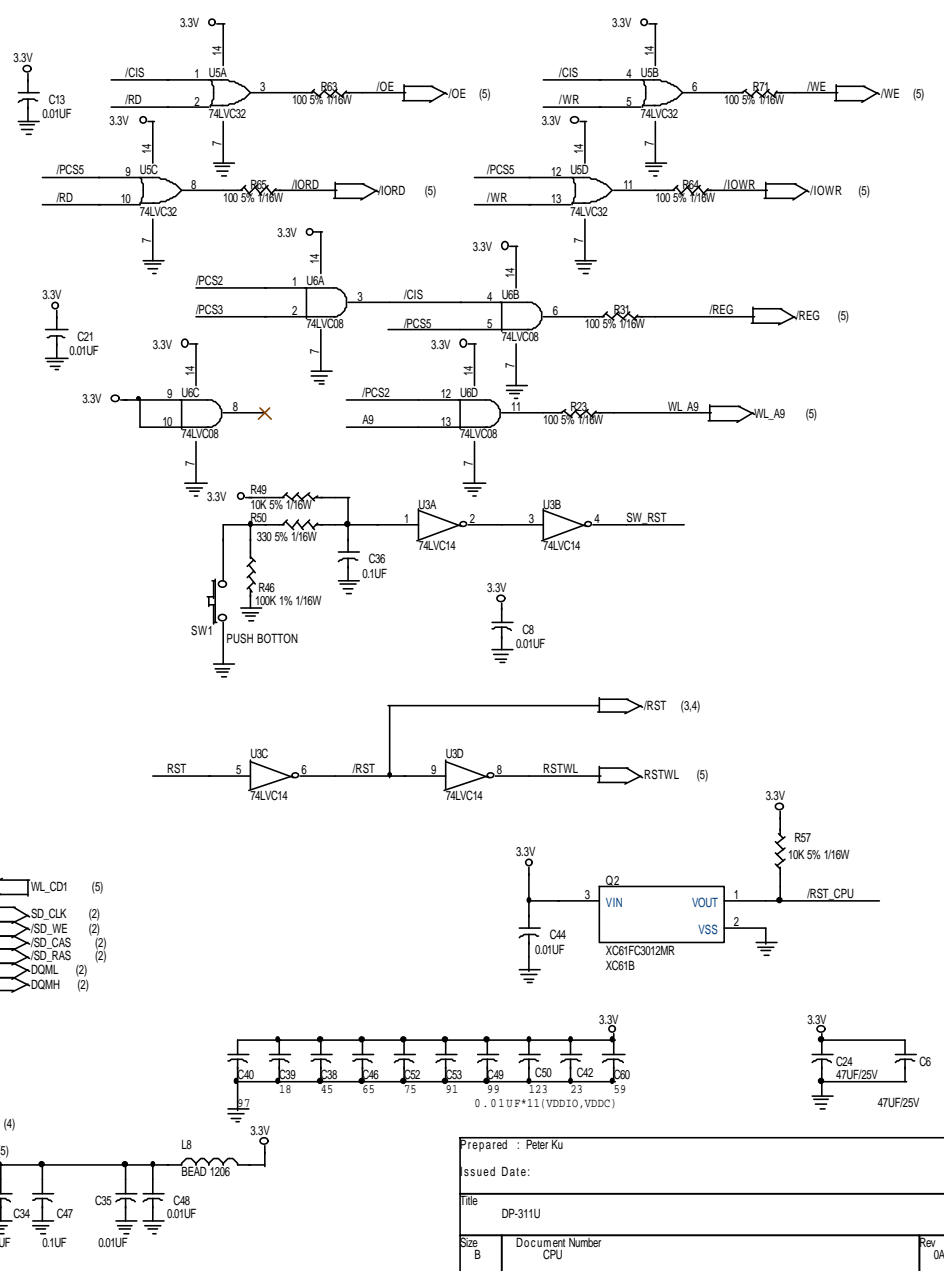
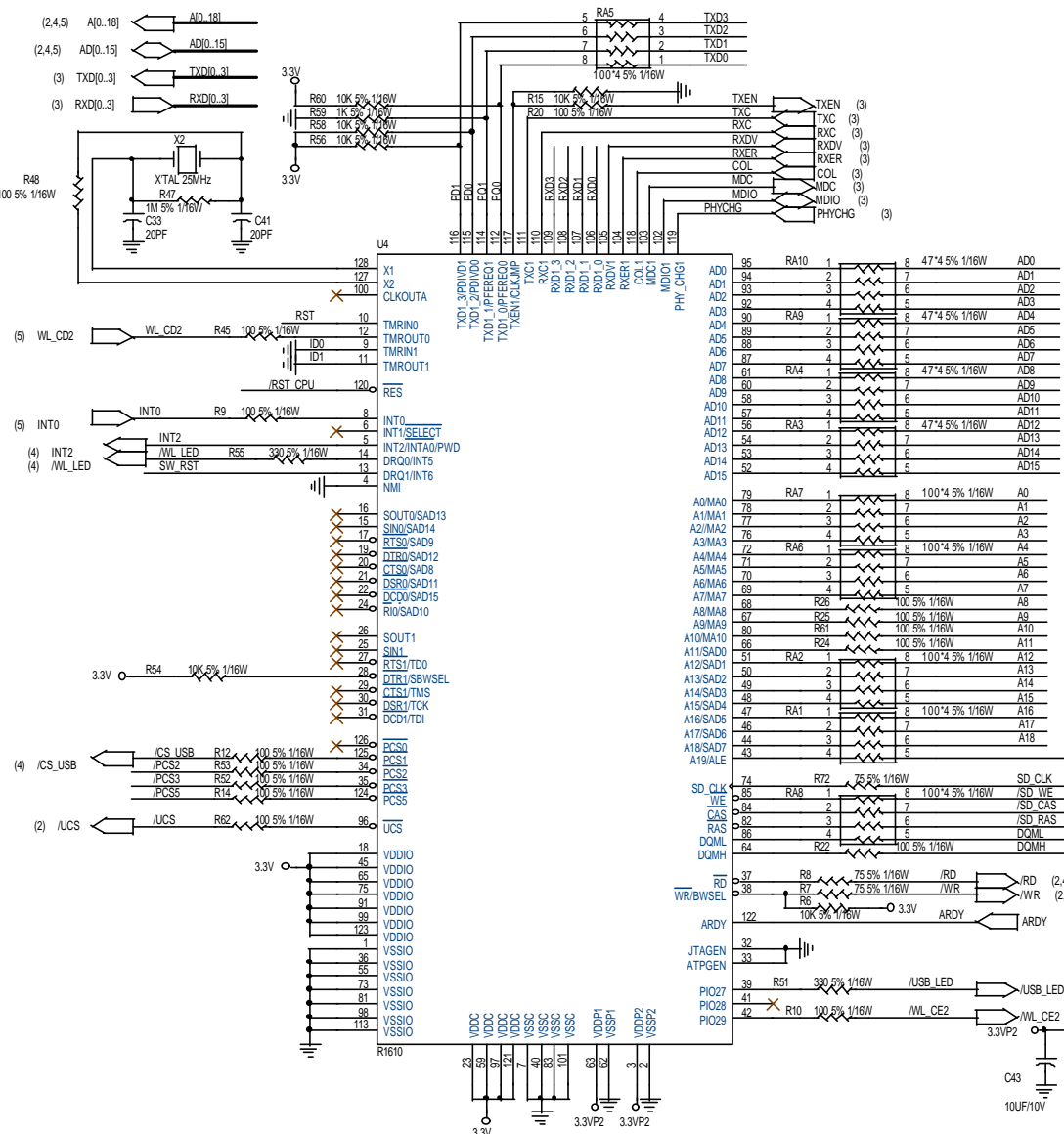
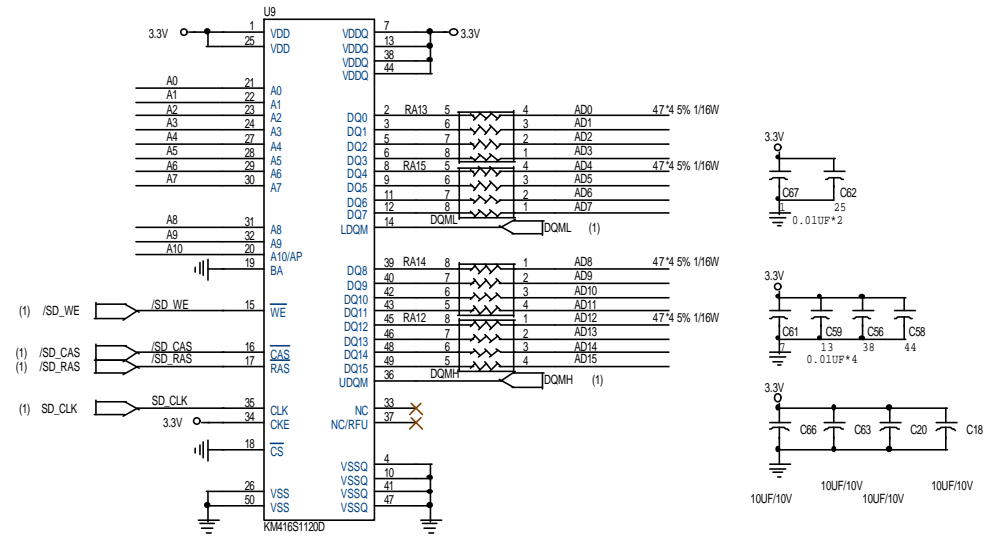
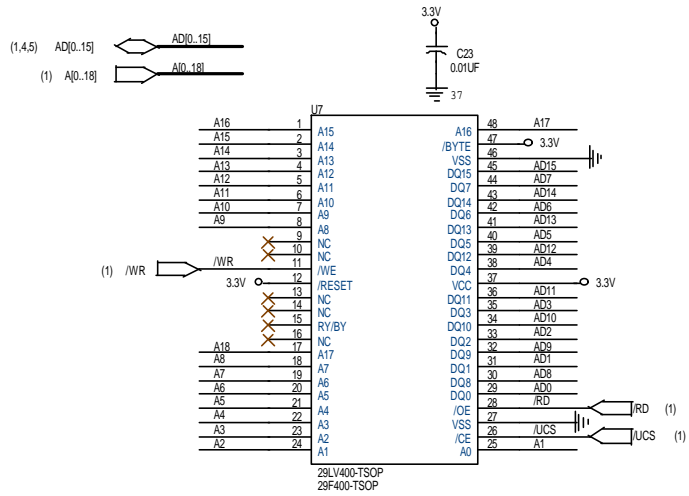


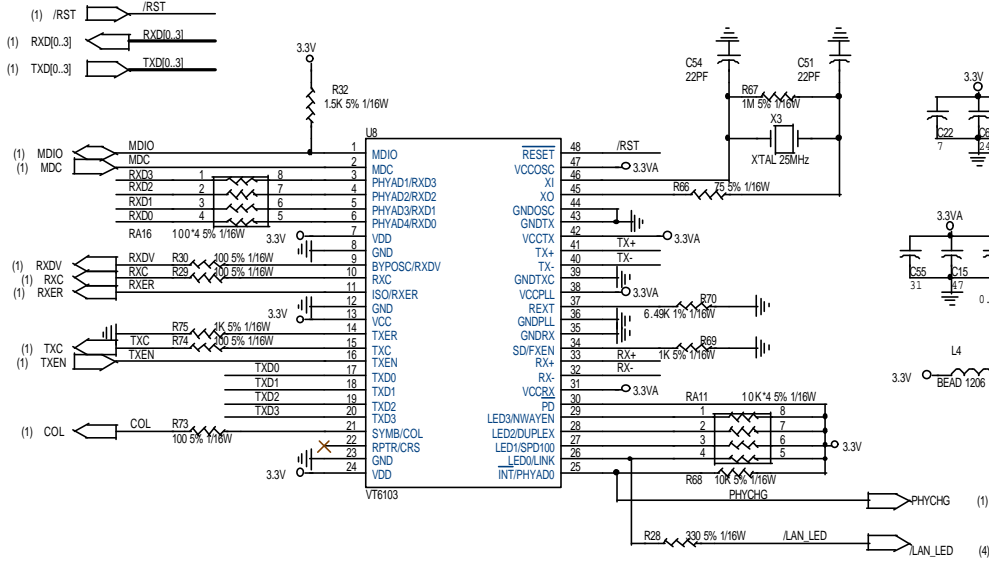
Software Version : Pin 39(PIO27) ID0= 0
 Pin 38(/WR) = PU : ROM 16bit
 Pin 32(JTAGEN)=PU : JTAG enable
 Pin 33(ATPGEN)=PD : Saon chain disable
 Pin 117(TXEN1/CLKJMP)=PU : Multiple PLL enable
 Pin 28(DTR1/SBWSSEL)=PU : Slow bus disable
 25MHZ*4=100MHZ
 Pin 116(TXD1_3/PDIVD1) = PU
 Pin 115(TXD1_2/PDIVD0) = PD
 Pin 114(TXD1_1/PFERB01) = PD
 Pin 112(TXD1_0/PFERB00) = PU
 Pin 28(DTR1/SBWSSEL)=PU : Slow bus disable



Prepared : Peter Ku
 Issued Date:
 Title DP-311U
 Size B Document Number CPU Rev 0A2
 Date: Monday, January 20, 2003 Sheet 1 of 5

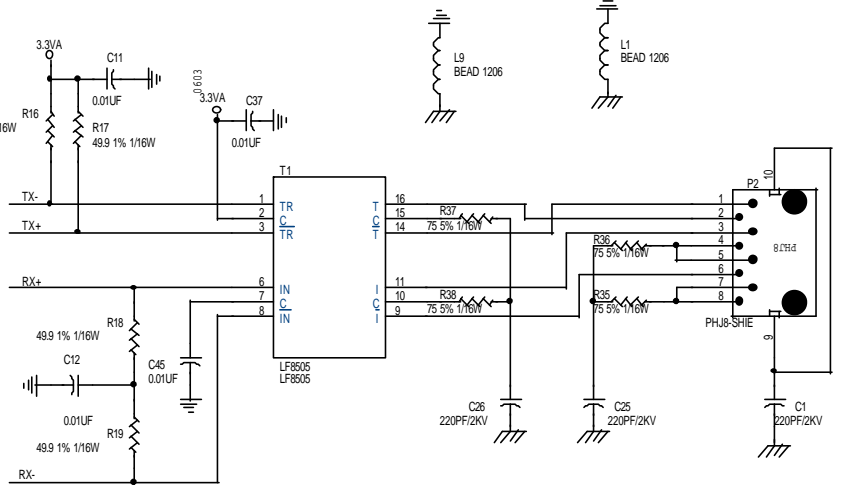


Prepared: Peter Ku			
Issued Date:			
Title DP-311U			
Size B	Document Number Memory	Rev 0A2	
Date: Monday, January 20, 2003		Sheet	2 of 5



```

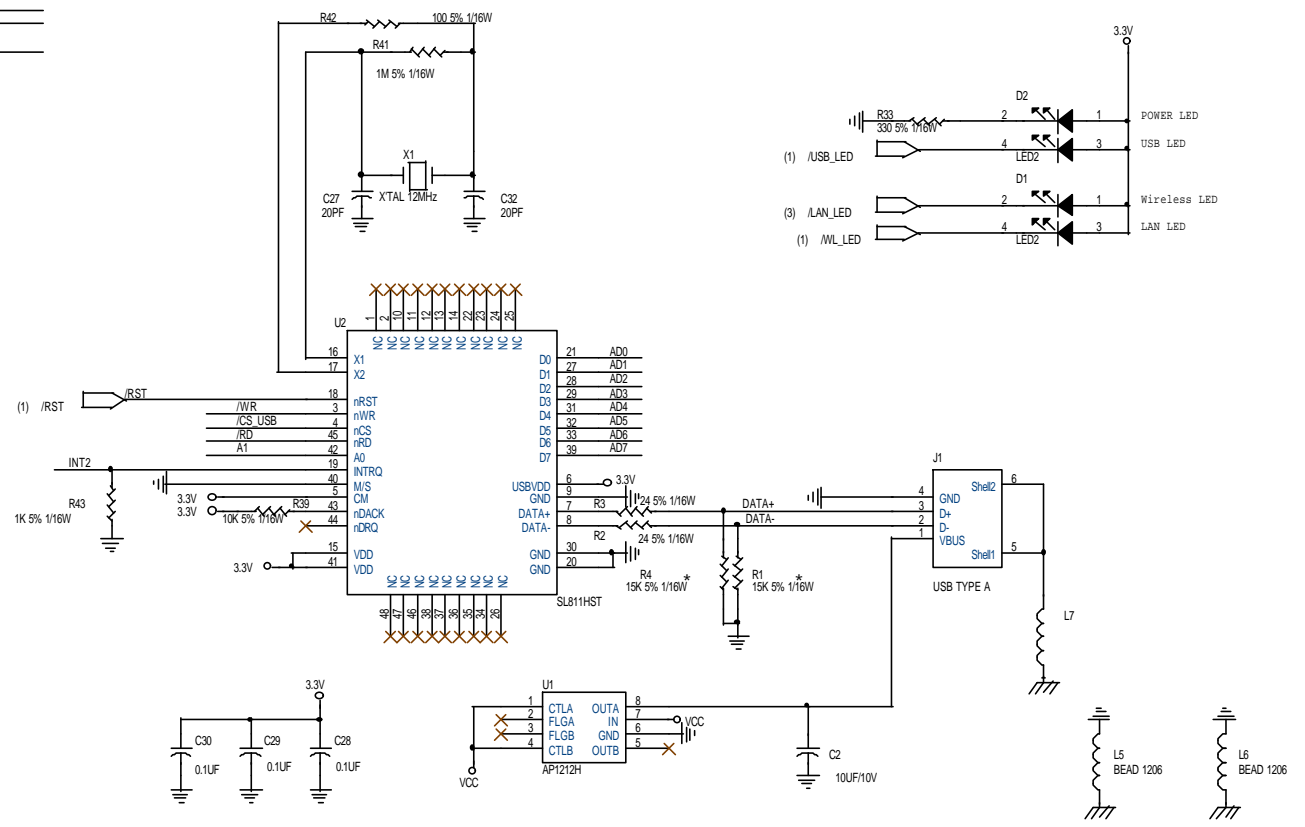
RXD[0:3] INT# = 00001B | PHY ADDRESS
PIN29 (LED3)=PU      NWAY enable
PIN28 (LED2)=PU      Full duplex
PIN27 (LED1)=PU      Speed 100M
PIN26 (LED0)=PU      Test mode disable
PIN34 (FXEN)=PD      Fiber mode disable
  
```



0.01uF*4

Prepared : Peter Ku		
Issued Date:		
Title		
DP-311U		
Size B	Document Number PHY	Rev 0A2
Date:	Monday, January 20, 2003	Sheet 3 of 5

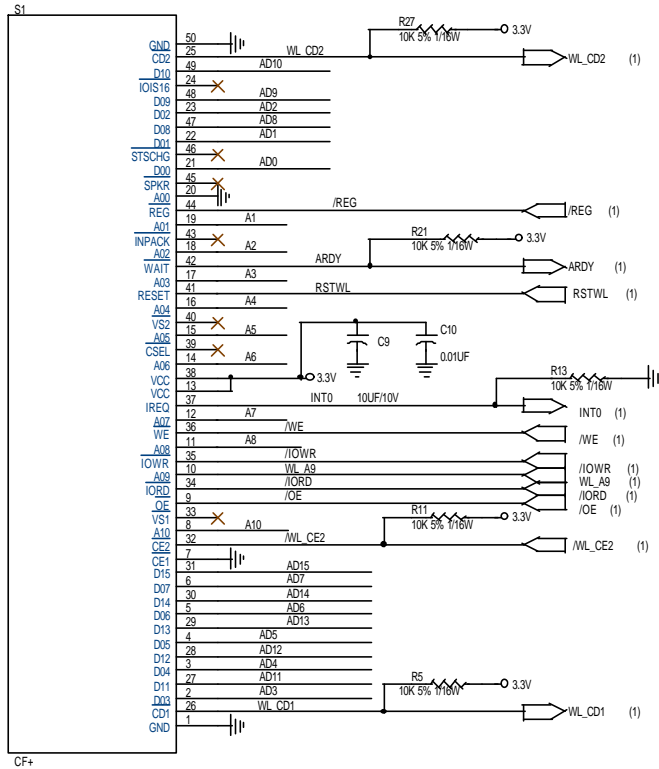
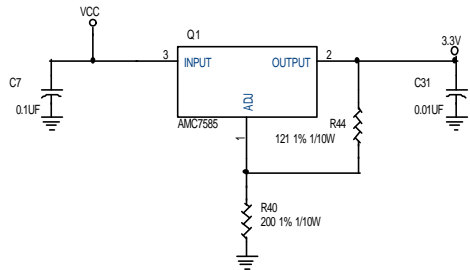
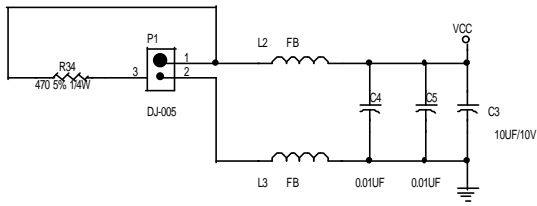
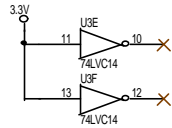
- (1,2,5) AD[0..15]
- (1) A[1..18]
- (1) /WR
- (1) /RD
- (1) /CS_USB
- (1) INT2



Title		
<Title>		
Size	Document Number	Rev
B	<Doc>	0A2
Date:	Monday, January 20, 2003	Sheet 4 of 5

(1) A[0..18]

(1,2,4) AD[0..15]



Prepared : Peter Ku	
Issued Date :	
Title DP-311U	
Size B	Document Number Wireless & power
Date Monday, January 20, 2003	Rev 0A2
Sheet 5 of 5	