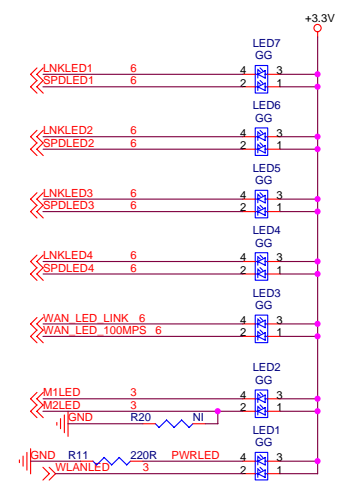
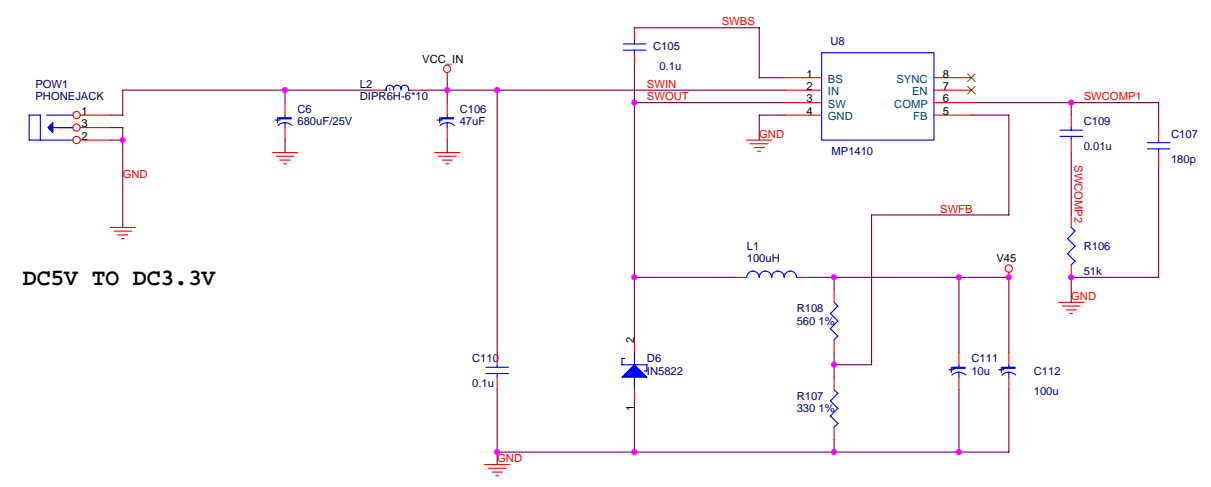
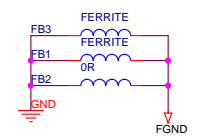
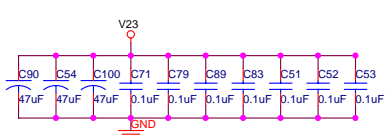
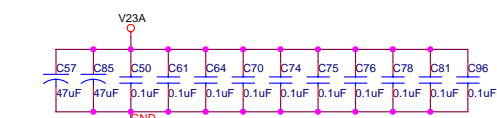
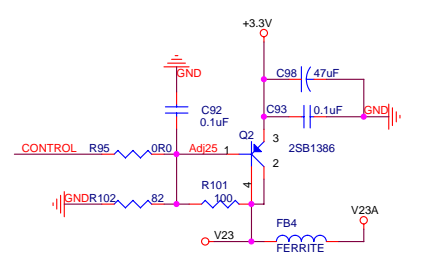
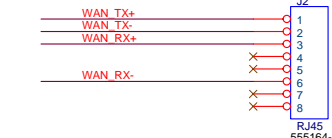
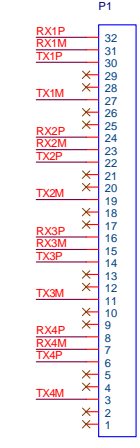
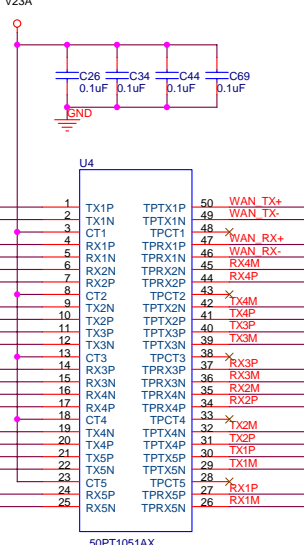
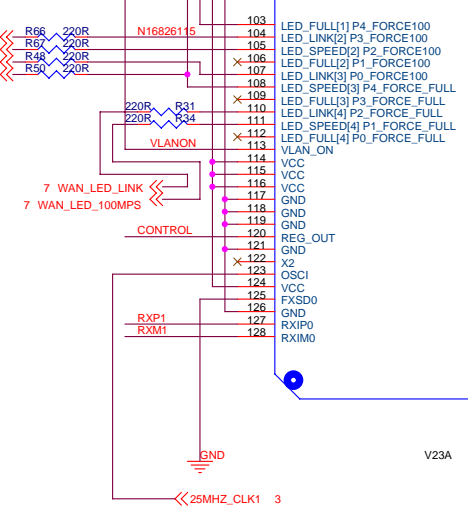
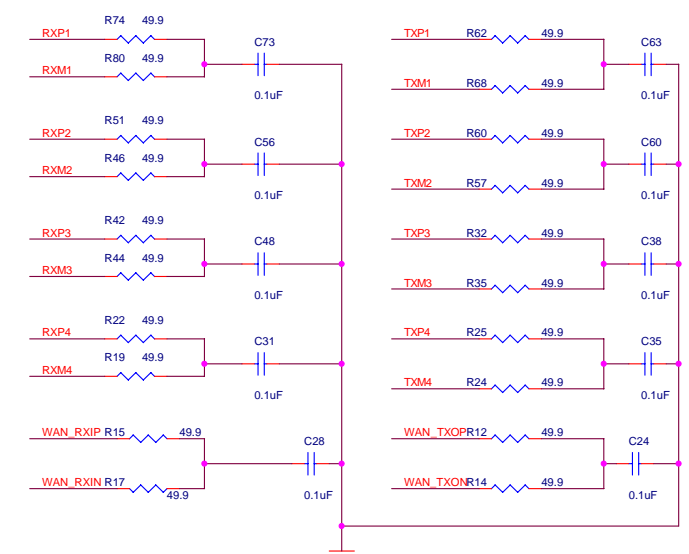
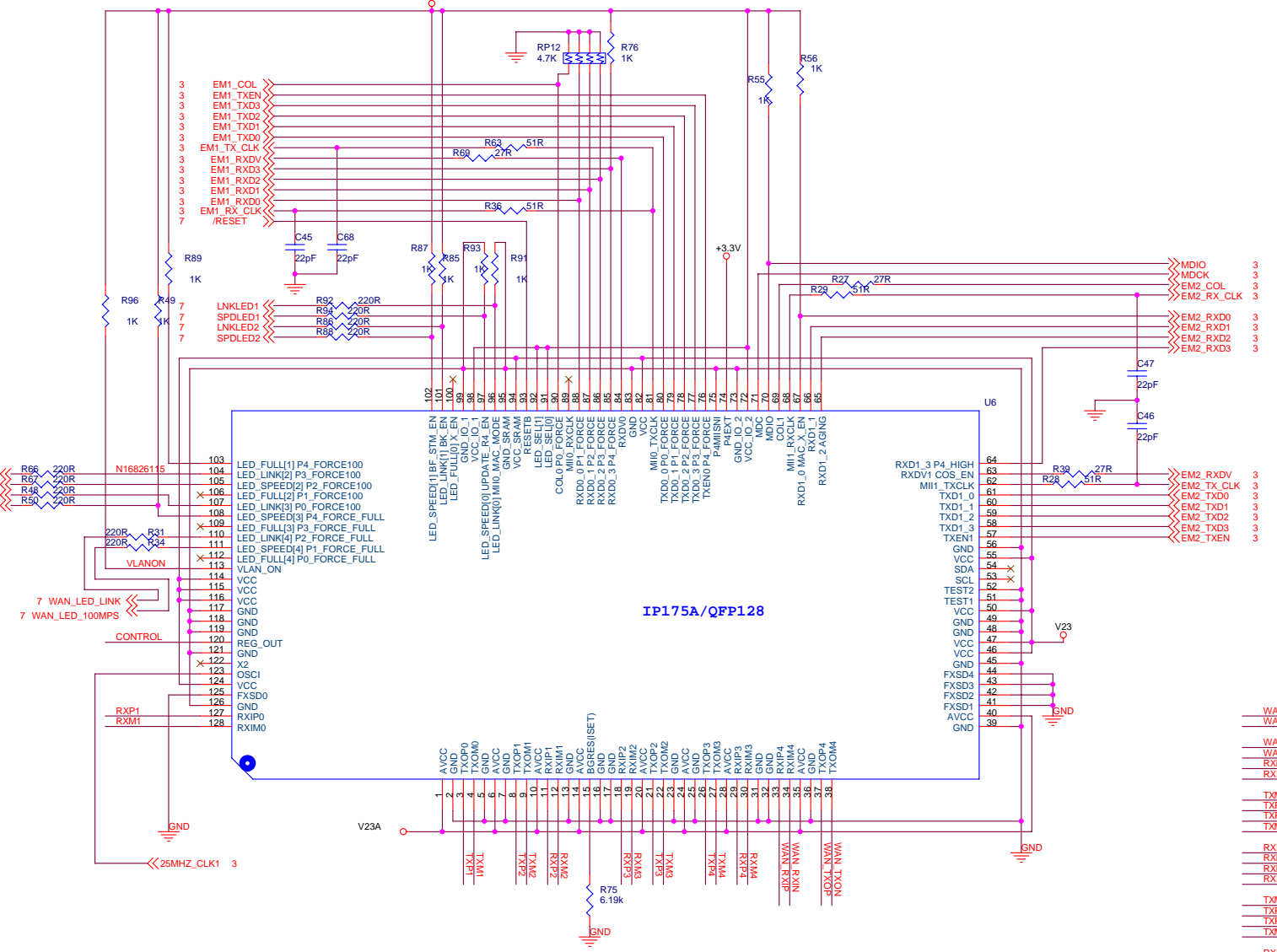
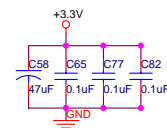
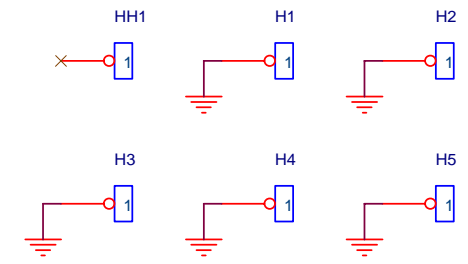
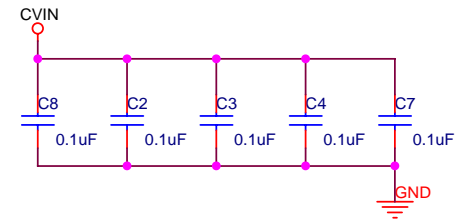
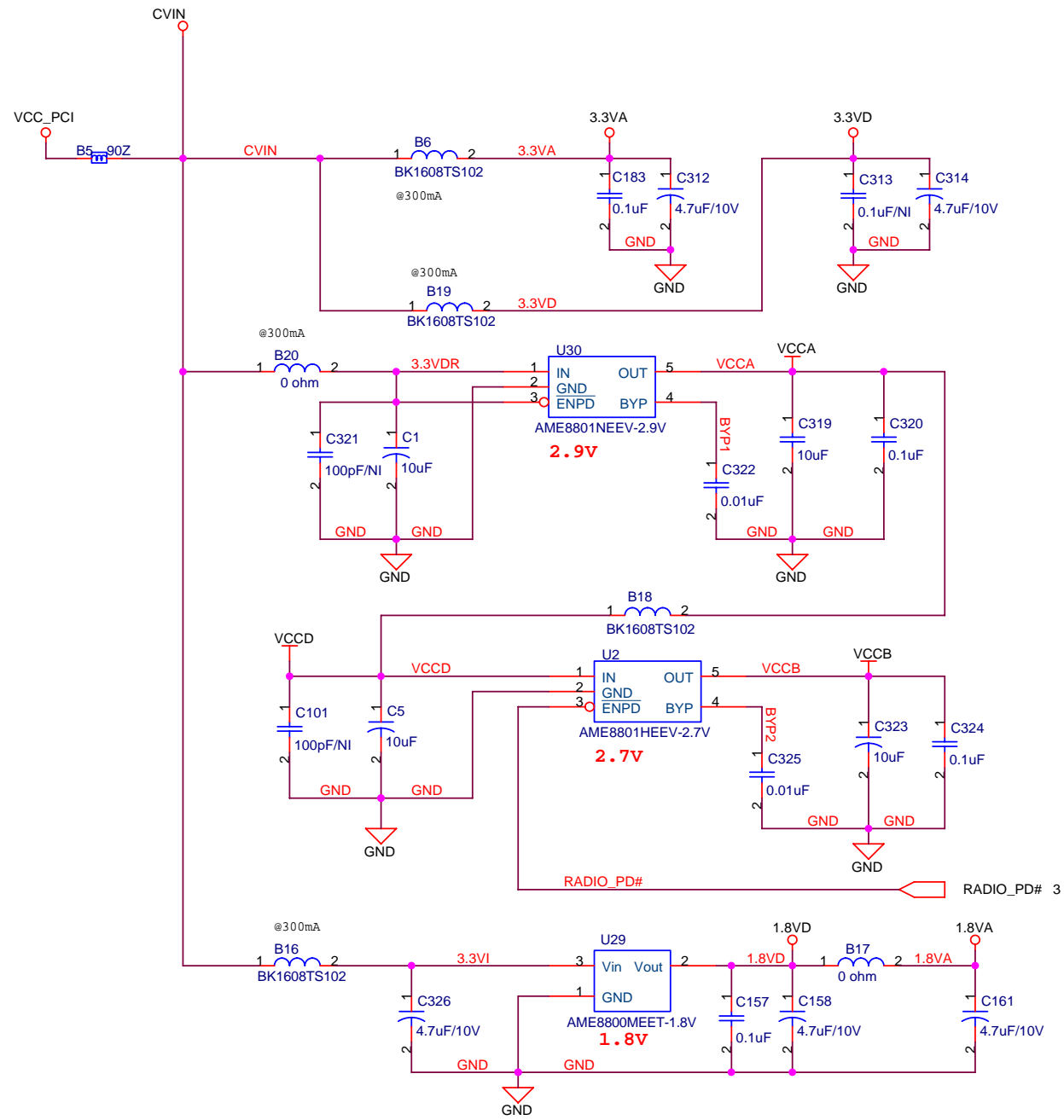
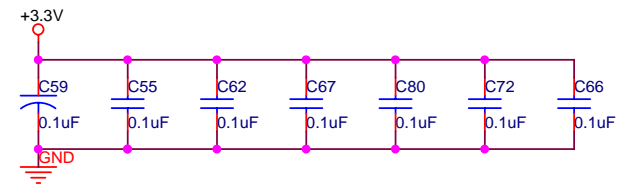
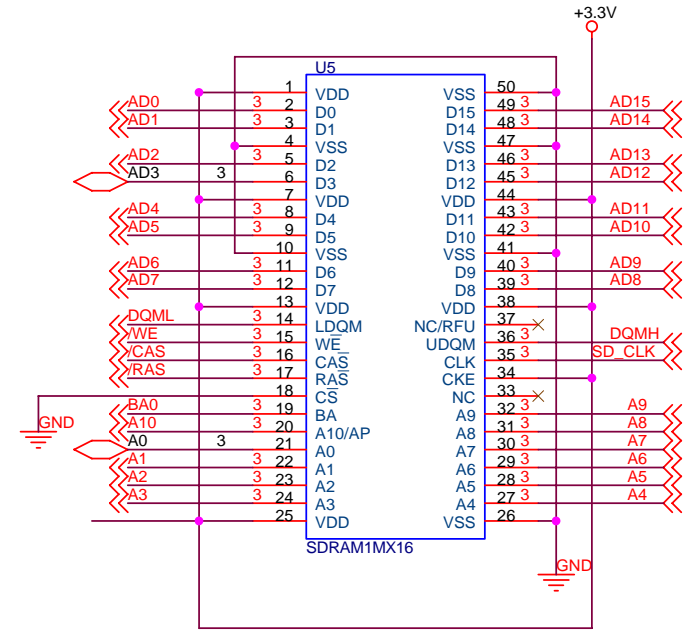
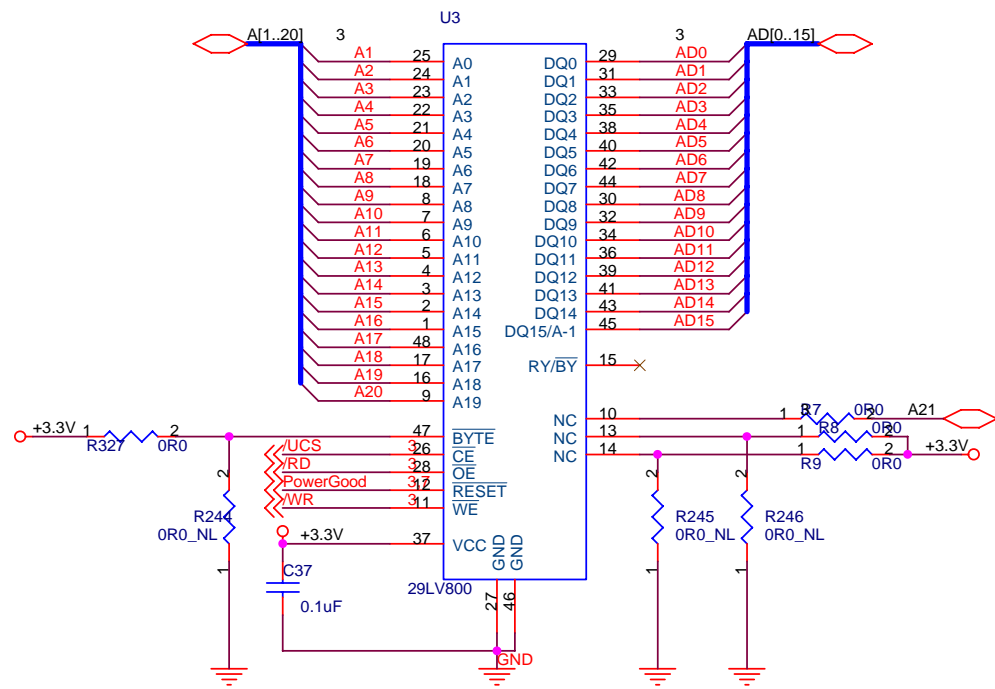


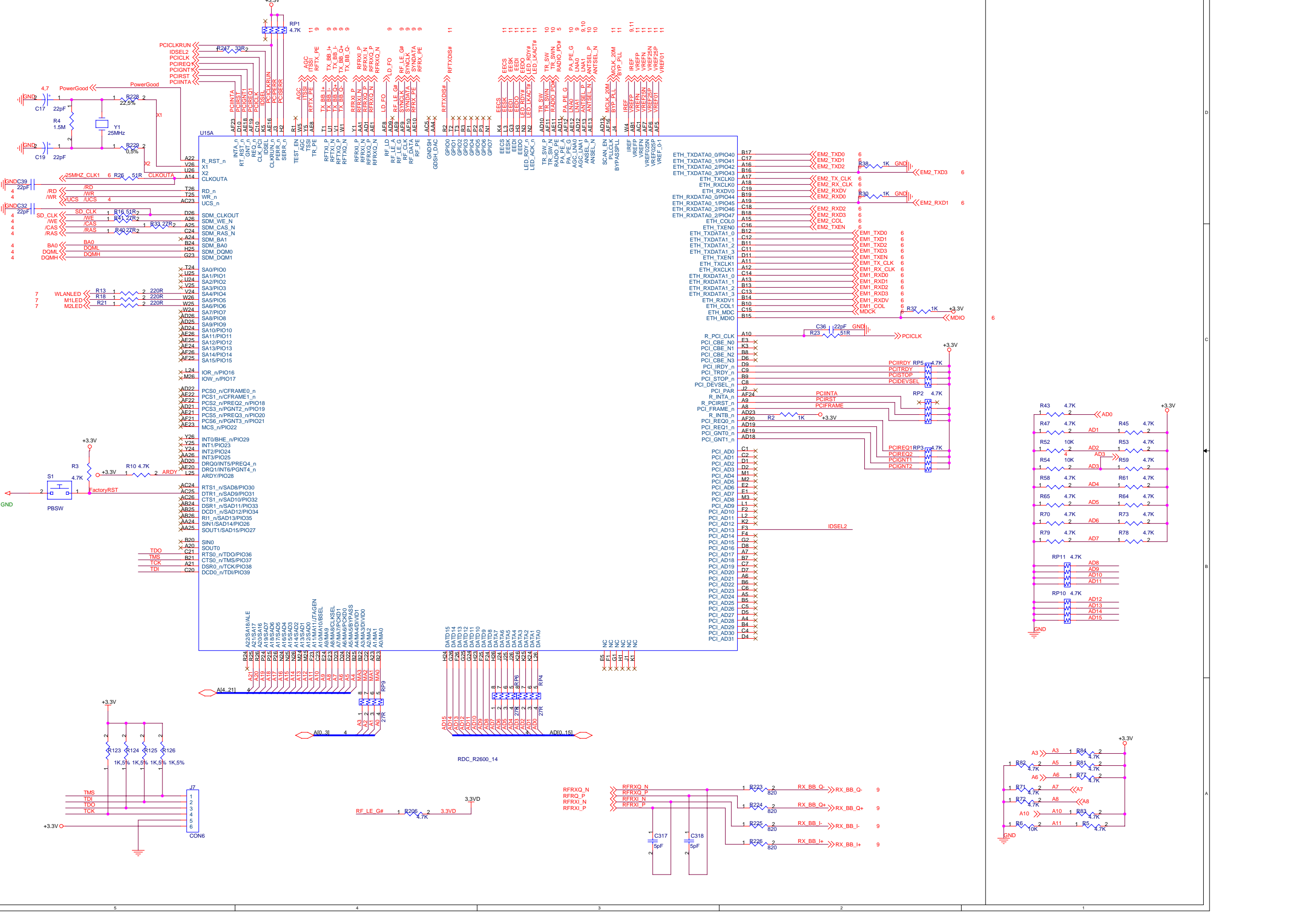
**DC5V TO DC3.3V**







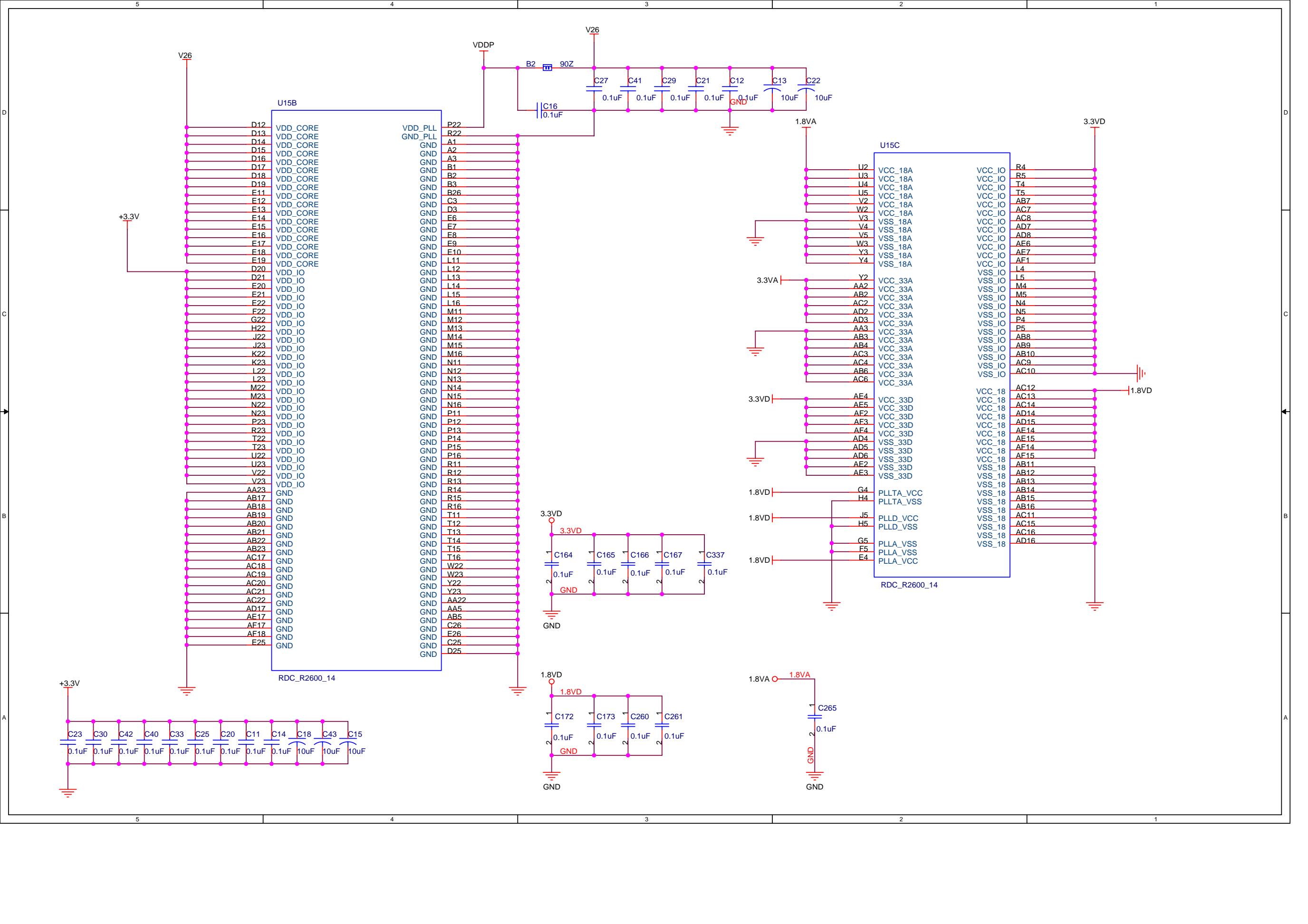




6

6

6



V26

VDDP

V26

3.3VD

1.8VD

3.3VD

1.8VD

1.8VA

+3.3V

+3.3V

U15B

U15C

RDC\_R2600\_14

RDC\_R2600\_14

D12	VDD_CORE	P22	VDD_PLL
D13	VDD_CORE	R22	GND_PLL
D14	VDD_CORE	A1	GND
D15	VDD_CORE	A2	GND
D16	VDD_CORE	A3	GND
D17	VDD_CORE	B1	GND
D18	VDD_CORE	B2	GND
D19	VDD_CORE	B3	GND
E11	VDD_CORE	B26	GND
E12	VDD_CORE	C3	GND
E13	VDD_CORE	D3	GND
E14	VDD_CORE	E6	GND
E15	VDD_CORE	E7	GND
E16	VDD_CORE	E8	GND
E17	VDD_CORE	E9	GND
E18	VDD_CORE	E10	GND
E19	VDD_CORE	L11	GND
D20	VDD_CORE	L12	GND
D21	VDD_IO	L13	GND
E20	VDD_IO	L14	GND
E21	VDD_IO	L15	GND
E22	VDD_IO	L16	GND
F22	VDD_IO	M11	GND
G22	VDD_IO	M12	GND
H22	VDD_IO	M13	GND
J22	VDD_IO	M14	GND
J23	VDD_IO	M15	GND
K22	VDD_IO	M16	GND
K23	VDD_IO	N11	GND
L22	VDD_IO	N12	GND
L23	VDD_IO	N13	GND
M22	VDD_IO	N14	GND
M23	VDD_IO	N15	GND
N22	VDD_IO	N16	GND
N23	VDD_IO	P11	GND
P23	VDD_IO	P12	GND
R23	VDD_IO	P13	GND
T22	VDD_IO	P14	GND
T23	VDD_IO	P15	GND
U22	VDD_IO	P16	GND
U23	VDD_IO	R11	GND
V22	VDD_IO	R12	GND
V23	VDD_IO	R13	GND
AA23	GND	R14	GND
AB17	GND	R15	GND
AB18	GND	R16	GND
AB19	GND	T11	GND
AB20	GND	T12	GND
AB21	GND	T13	GND
AB22	GND	T14	GND
AB23	GND	T15	GND
AC17	GND	T16	GND
AC18	GND	W22	GND
AC19	GND	W23	GND
AC20	GND	Y22	GND
AC21	GND	Y23	GND
AC22	GND	AA22	GND
AD17	GND	AA5	GND
AE17	GND	AB5	GND
AF17	GND	C26	GND
AF18	GND	E26	GND
E25	GND	C25	GND
		D25	GND

VDD_PLL	P22
GND_PLL	R22
GND	A1
GND	A2
GND	A3
GND	B1
GND	B2
GND	B3
GND	B26
GND	C3
GND	D3
GND	E6
GND	E7
GND	E8
GND	E9
GND	E10
GND	L11
GND	L12
GND	L13
GND	L14
GND	L15
GND	L16
GND	M11
GND	M12
GND	M13
GND	M14
GND	M15
GND	M16
GND	N11
GND	N12
GND	N13
GND	N14
GND	N15
GND	N16
GND	P11
GND	P12
GND	P13
GND	P14
GND	P15
GND	P16
GND	R11
GND	R12
GND	R13
GND	R14
GND	R15
GND	R16
GND	T11
GND	T12
GND	T13
GND	T14
GND	T15
GND	T16
GND	W22
GND	W23
GND	Y22
GND	Y23
GND	AA22
GND	AA5
GND	AB5
GND	C26
GND	E26
GND	C25
GND	D25

