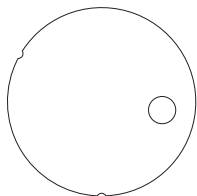
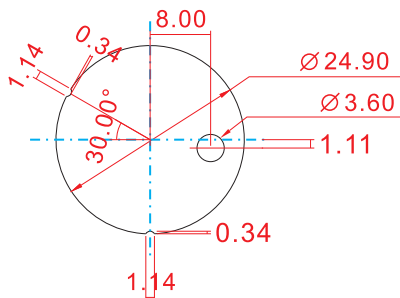


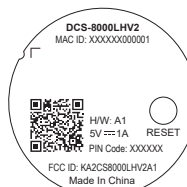
外印印刷稿  
for printing



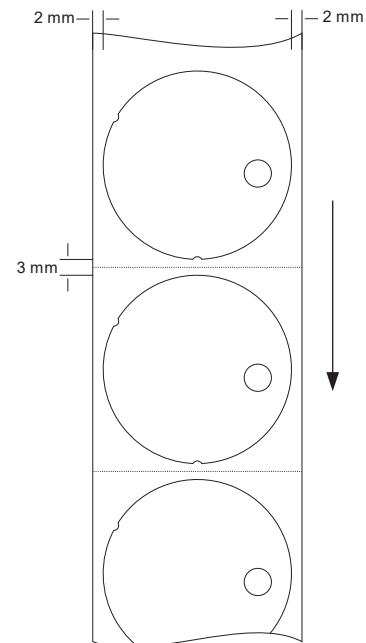
尺寸圖  
outline dimension



廠內碳打參考  
for printing in house



正向出紙  
output direction



<b>ALPHA</b>		Title: DCS-8000LHV2 Device label			(DG廠)
Drawn by: Joan Hang	Date: 2019/08/26	Material: 50#白亮特多龍(PET) Glossy White Polyester Film	Part No.: 970000013559G	Rev.:	Task ID: ART-HQ1908000040
Checked by: Paige Tsai	Date: 2019/08/26	Coated: 25#霧面特多龍(PET) Matte Clear Polyester Film	Unit: mm	Cutting Tolerance: ±0.3mm Printing Tolerance: ±0.25mm	
Approved by: Paige Tsai	Date: 2019/08/26	Adhesive: 壓克力膠 Acrylic	Scale: 1:1	<input type="checkbox"/> Modified drawing <input checked="" type="checkbox"/> Original drawing	