

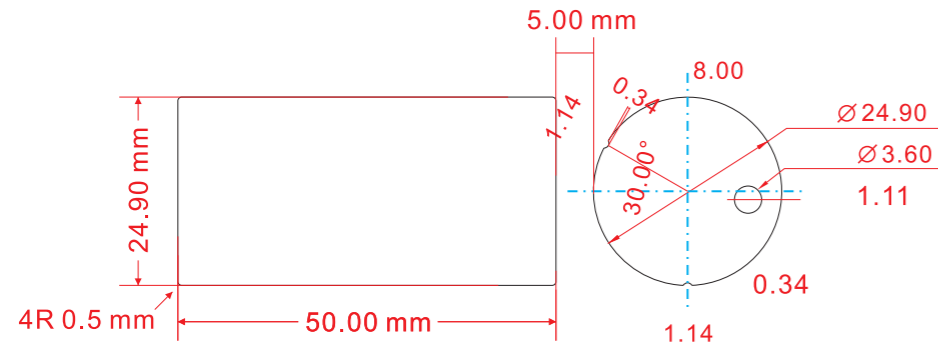
LABEL LOCATION

Brand name : D-Link

FCC Model name : DCS-8000LH

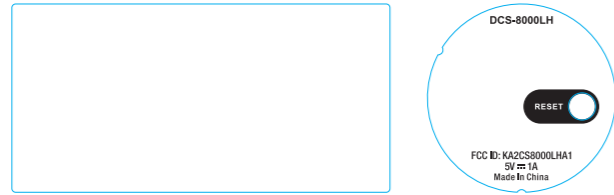


尺寸圖
outline dimension

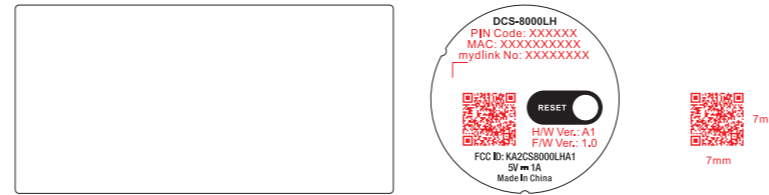


外印印刷稿
for printing

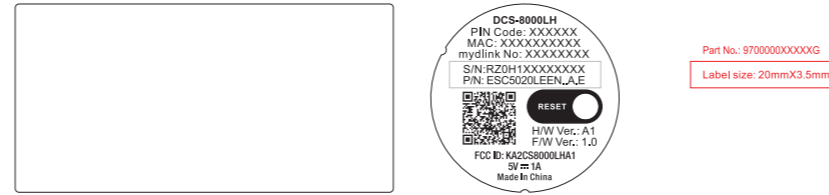
刀模線勿印刷
Process blue line is die line.



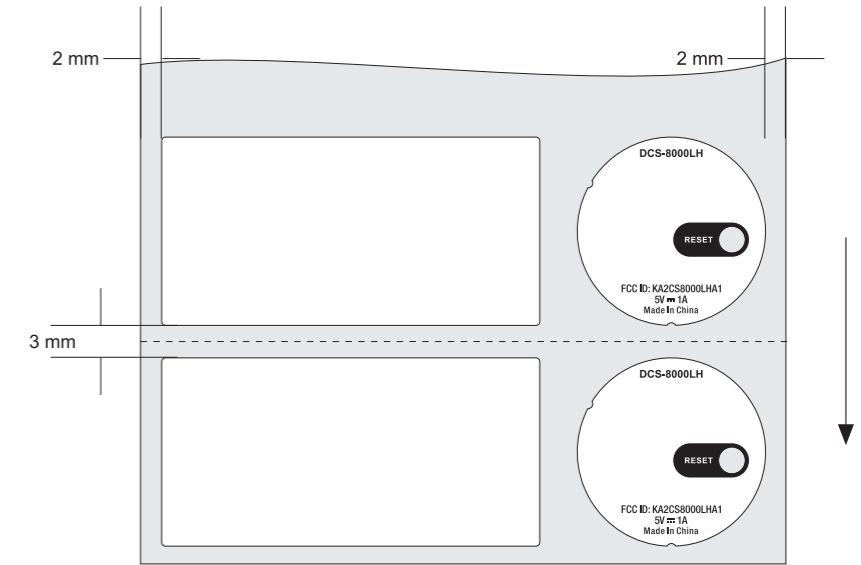
廠內碳打參考
for reference in house



Label 黏貼樣式參考



正向出紙



| | | | | | |
|--------------------------|------------------|---|-------------------------|--|---------------------------|
| ALPHA | | Title: DCS-8000LH Device Label (DG) | | | |
| Drawn by: Hoho Tsai | Date: 2017/04/20 | Material: 50μ白亮特多龍(PET) Glossy White Polyester Film | Part No.: 970000013474G | Rev.: B1 | Task ID: ART-HQ1703000133 |
| Checked by: Alisha_Yang | Date: 2017/04/20 | Coated: 25μ霧面特多龍(PET) Matte Clear Polyester Film | Unit: mm | Cutting and Printing Tolerance: ±0.15mm Contents Tolerance: ±0.25mm | |
| Approved by: Alisha_Yang | Date: 2017/04/20 | Adhesive: 壓克力膠 Acrylic | Scale: 1:1 | <input checked="" type="checkbox"/> Modified drawing <input type="checkbox"/> Original drawing | |

Colors:

