

1

2

3

4

5

6

A

B

C

D

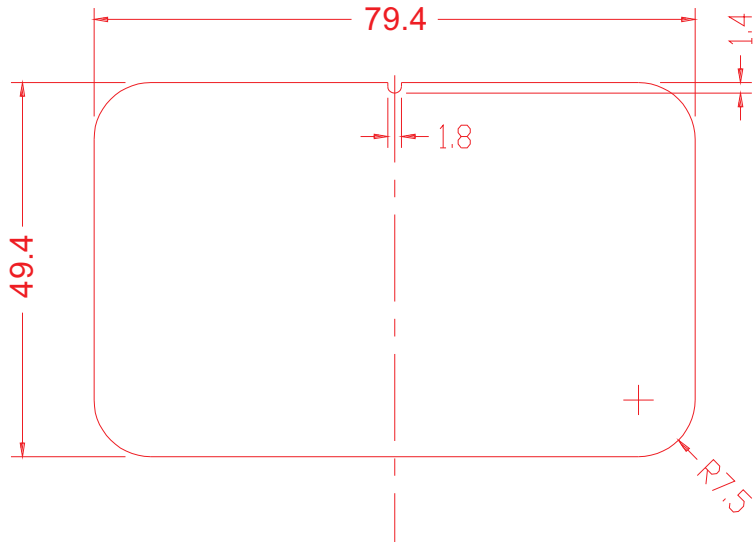
A

B

C

D

REVISIONS			
ECN	DESCRIPTION	DATE	APPROVED

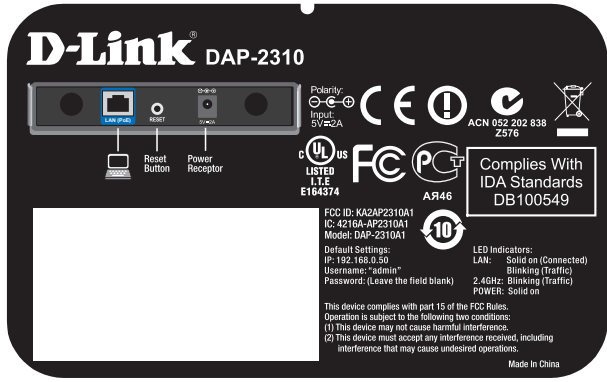


NOTICE 注意：
 1.公差容許外形下料及沖孔尺寸:+-0.15mm
 Outline and aperture Cut Tooling Tolerance:+-0.15mm
 2.請參考產品結構
 Please refer to the material construction.

Color:
 ■ Background: Black
 ■ LAN Port: PANTONE 2935C

Material Construction

■ PET霧膜
 ■ 白亮特多龍



Doc/No.	REV. DATE	ISSUED DATE	Material	Drawn Joan Huang 2011/8/1	Date	Part No. 9700000051DLG	Rev.	TOL ±								
								RANGE	M1	M2	M3	I1	I2	B		
PAGE/OF	Version	Surface Treatment	Checked Kity Lee 2011/8/1	Approved Kity Lee 2011/8/1	Date	UNIT mm	Q'TY	Scale 1:1	Sheet of	6 以下	0.1	0.1	.15	0.2	0.3	
										6-30	0.1	0.2	.15	.25	0.3	
										30-80	.15	.25	.2	0.3	0.4	
										80-180	.15	0.3	.25	.45	0.5	
										180-315	0.2	0.5	0.4	0.5	0.6	
										315-800	0.3	0.6	0.6	0.6	0.8	