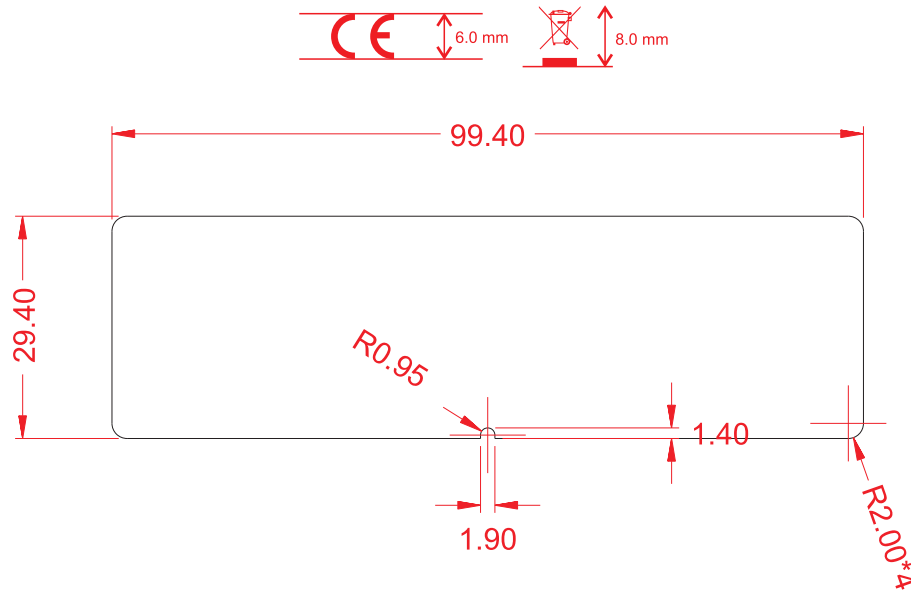


注意：  
 1. 公差容許外形下料及冲孔尺寸:  $\pm 0.15\text{mm}$   
 Outline and aperture Cut Tooling Tolerance:  $\pm 0.15\text{mm}$   
 2. 請參考產品結構  
 Please refer to the material construction.

Color:  
 Background: White  
 PANTONE 114C



### Material Construction

- #25PET霧膜/ Matte transparent PET film for over-laminating
- #50白色亮特多龍/ Polyester Label (Glossy White)

REV	ECN	DESCRIPTION	APPROVED	DATE

LEGEND:  
 △ = DESIGN CHANGE  
 ⊗ = INSPECTION DIM ID

<b>ALPHA</b> Alpha Networks Inc.		PART NAME <b>DAP-1160L Device Label</b>		Tolerance unless Potherwise Pspecified			
MATERIAL	DRAWN ID:1168 Hoho(ID1330)	DATE 2012/9/10	PART No. <b>9700000159DLG</b>	Rev.	Angle	1/2	1
COLOR CHIP	CHECKED Ruby Lu	DATE 2012/9/10	UNIT: mm		50~100	$\pm 0.15$	$\pm 0.3$
SURFACE TREATMENT	APPROVED Ruby Lu	DATE 2012/9/10	SIZE : A4	SCALE 1:1	10~50	$\pm 0.1$	$\pm 0.2$
				3/1000	0~10	$\pm 0.05$	$\pm 0.1$
			Q'TY	Sheet 1 OF 1	CLASS	A	B

