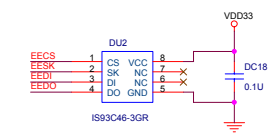
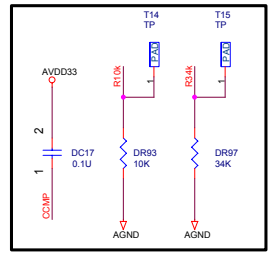
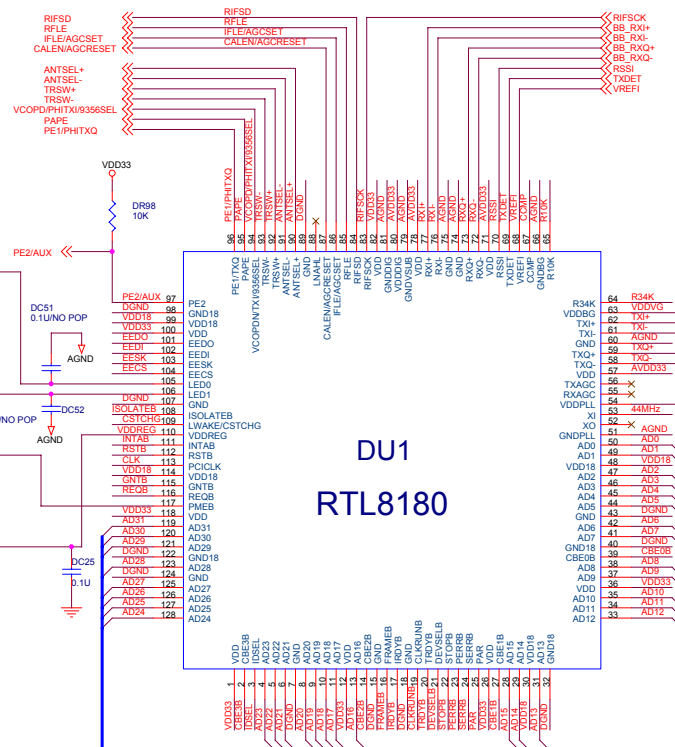
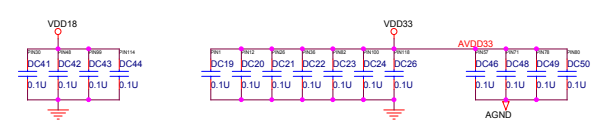
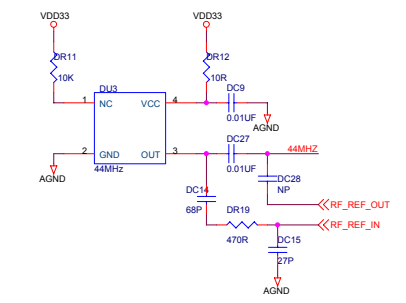
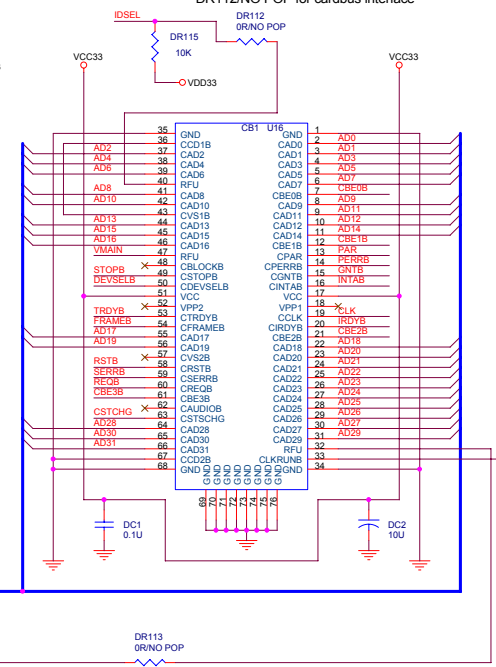


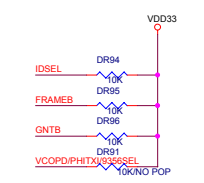
Title	8WCBB13_1A1		Rev
Size	Document Number	POWER	1A1
Date:	Saturday, November 23, 2002	Sheet	1 of 3



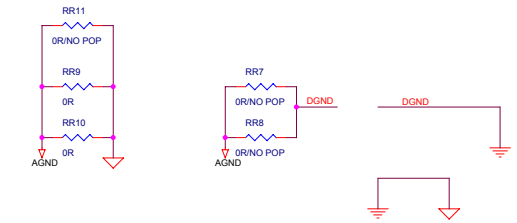
keep layout trace of this area as short as possible and place pad 2 of DC17 to pin 63 (VDDBG) as close as possible  
**DR112/NO POP** for carbus interface



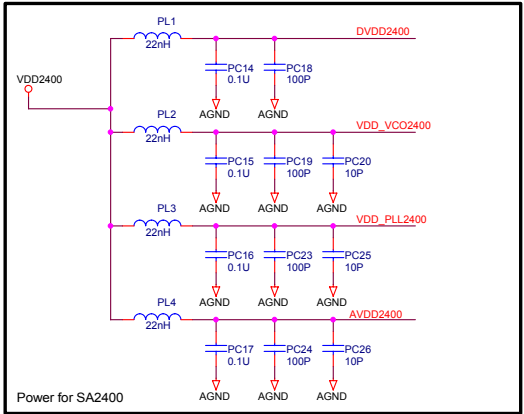
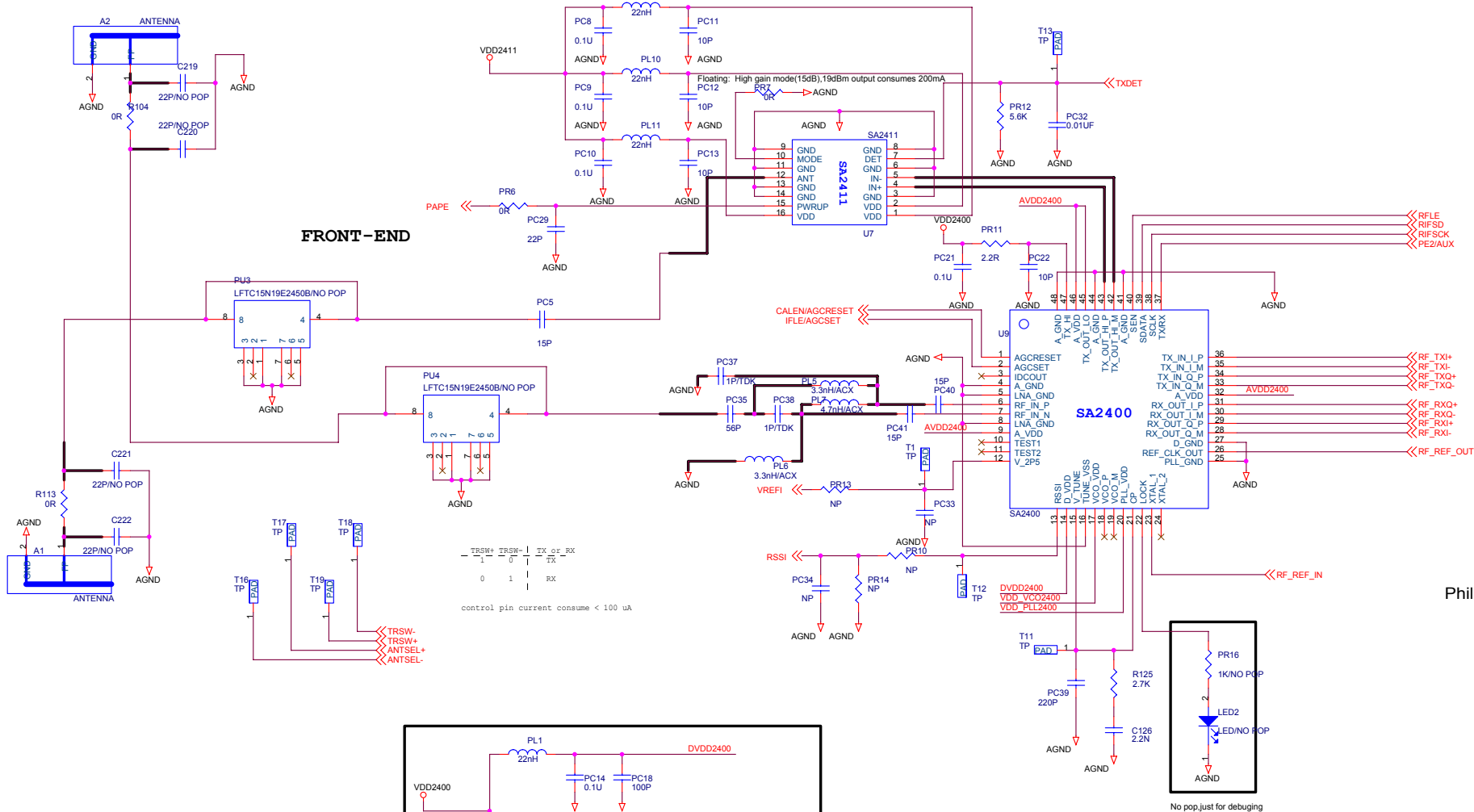
place power de-coupling capacitors (DC19-26,DC41-50) to each power pins as close as



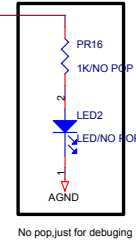
**DR91 /NO POP** ==> 93C46  
**DR91 /POP** ==> 93C56  
**DEFAULT** DR91/NO POP



Title		
8WCBB13_1A1		
Size	Document Number	Rev
C	RTL8180	1A1
Date:	Saturday, November 23, 2002	Sheet 2 of 3



Philips SA2400 RF Chip



Title		
8WCBB13_1A1		
Size	Document Number	Rev
C	SA2400	1A1
Date:	Saturday, November 23, 2002	Sheet 3 of 3