

## Testing for compliance with FCC rules 15-247e

### Scope

This report presents the test procedure, test configuration and test data associated with a FCC Part 15.247 (e) Jamming Margin test for the indirect measurement of processing gain.

### Applicable Reference Documents.

1. “Operation within the bands 902-928 MHz, 2400-2483.5, and 5725-5850 MHz” *Title 47 Part 15 section 247 (e) Code of Federal Regulations. (47 CFR 15.247).*
2. “Report and Order: Amendment of Parts 2 and 15 of the Commission’s Rules Regarding Spread Spectrum Transmitters. Appendix C: ‘Guidance on Measurements for Direct Sequence Spread Spectrum Systems” *FCC 97-114. ET Docket No. 96-8, RM-8435, RM-8608, RM-8609.*
3. “HFA3861A Direct Sequence Spread Spectrum Baseband Processor” *Harris Corporation Semiconductor Sector Preliminary Data Sheet*, Melbourne FL, July 1999.
4. “M-ary Orthogonal Keying BER Curve”,

### Test Background and Procedure.

According to FCC regulations [1], a direct sequence spread spectrum system must have a processing gain,  $G_p$  of at least 10 dB. Compliance to this requirement can be shown by demonstrating a relative bit-error-ratio (BER) performance improvement (and corresponding signal to noise ratio per symbol improvement of at least 10 dB) between the case where spread spectrum processes (coding, modulation) are engaged relative to the processes being bypassed. In some practical systems, the spread spectrum processing cannot simply be bypassed. In these cases, the processing gain can be indirectly measured by a jamming margin test [2]. In accordance with the new NPRM 99-231, if the vendor has a system with less than 10 chips per symbol, the CW jamming results must be supported by a theoretical explanation of the system processing gain.

## Theoretical calculations

The processing gain is related to the jamming margin as follows [2]:

$$G_p = \left( \frac{S}{N} \right)_{output} + \left( \frac{J}{S} \right) + L_{system}$$

Where  $BER_{REFERENCE}$  is the reference bit error ratio with its corresponding, theoretical output signal to noise ratio per symbol,  $(S/N)_{output}$ ,  $(J/S)$  is the jamming margin (jamming signal power relative to desired signal power), and  $L_{system}$  are the system implementation losses.

The maximum allowed total system implementation loss is 2 dB.

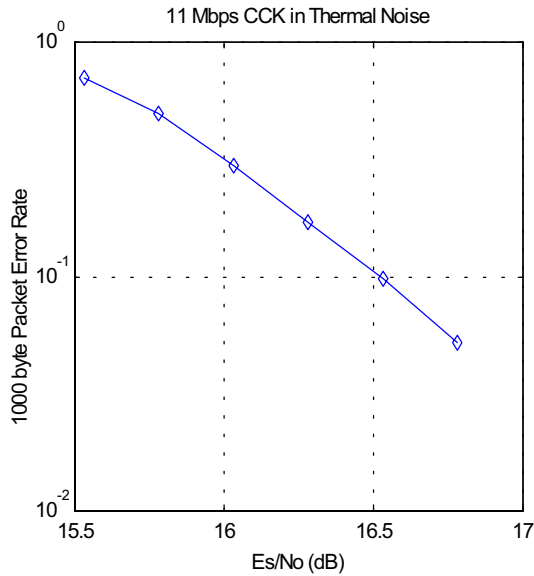
The HFA3861A direct sequence spread spectrum baseband processor uses CCK modulation which is a form of M-ary Orthogonal Keying. The BER performance curve is given by [5]:

“ The probability of error for generalized M-ary Orthogonal signaling using coherent demodulation is given by:

$$P_e = 1 - P_{c1} = 1 - \frac{1}{\sqrt{2\pi}} \int_{\frac{S_{01}}{N_0}}^{\infty} \left[ 2(1 - Q \left\{ z + \sqrt{2 \frac{E_b}{\eta}} \right\} \right)^{\frac{M}{2}-1} \exp \left\{ -\frac{z^2}{2} \right\} dz$$

This integral cannot be solved in closed form, and numerical integration must be used. There are error rate extensions for differential decoding and descrambling that are also to be accounted for. This is done in a MATHCAD environment and is displayed in graphical format below.

**1.1 1000 byte PER vs. Es/No**



The reference PER is specified as 8% . The corresponding Es/No (signal to noise ratio per symbol) is 16.4 dB. The Es/No required to achieve the desired BER with maximum system implementation losses is 18.4 dB. The minimum processing gain is again, 10 dB, therefore:

$$G_p = \left( \frac{E_s}{N_o} \right)_{output} + \left( \frac{J}{S} \right) + L_{system} = 16.4dB + 2.0dB + \left( \frac{J}{S} \right) \geq 10dB$$

$$G_p = 18.4dB + \left( \frac{J}{S} \right) \geq 10dB$$

The minimum jammer to signal ratio is as follows:

$$\left( \frac{J}{S} \right) \geq -8.4dB$$

For the case of the HFA3861A, the bit rates are 1, 2, 5.5, and 11 Mbps. The corresponding symbol rates are 1, 1, 1.375, and 1.375 MSps. The chip rate is always 11 MCps, so the ratio of chip rate to symbol rate is 11:1 for the 1 and 2 Mbps rates and 8:1 for the 5.5 and 11 Mbps rates. Since the symbol rate to bit rate is less than 10 for the higher rates, we supply the theoretical processing gain calculation for these cases where spread spectrum processing gain with embedded coding gain is utilized. This is reasonable in that they

cannot be separated in the demodulation process. If a separable FEC coding scheme were used, we would not be comfortable making this assertion.

As can be seen from the curve of figure 1, the  $E_s/N_0$  is 16.4 dB at the PER of 8%. This PER can be related to a BER of  $1e-5$  on 1000 byte packets. With 8 bits per symbol, the  $E_b/N_0$  is then 7.4 dB or 9 dB less than the  $E_s/N_0$ . It is well known that the  $E_b/N_0$  of BPSK is 9.6 dB for  $1e-5$  BER, so therefore the coding gain of CCK over BPSK is 2.2 dB. We add this to the processing gain of 9 dB to get 11.2 dB overall processing gain for the CW jammer test.

Taking the calculations above, if the  $\left(\frac{J}{S}\right) \geq -8.4 dB$  then the equipment passes the CW jamming test.

### **Test Configuration: CW Jamming Margin (15.247) (e)**

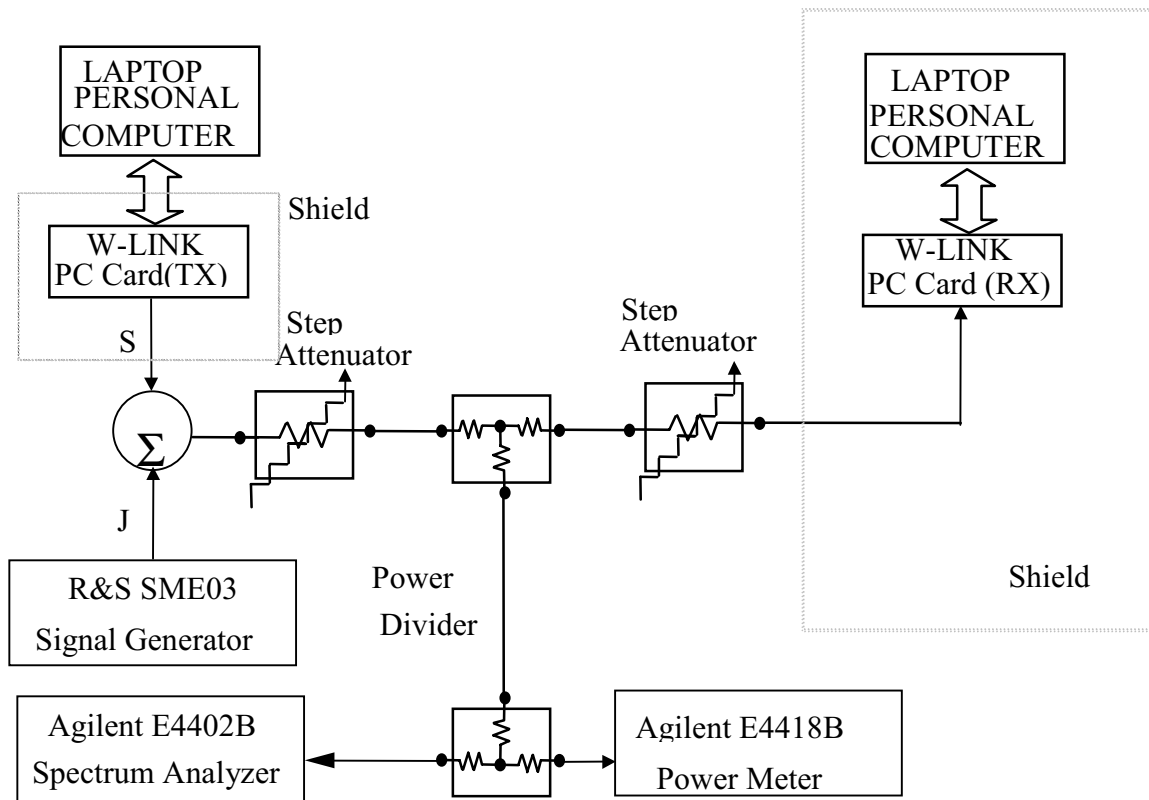
#### **Test Instruments**

<b>Manufacturer &amp; Description</b>	<b>Model Number</b>
Agilent Spectrum Analyzer, 9KHz to 3GHz	E4402B
Agilent Power Meter	E4418B
Agilent Power Sensor, -70 to 20dBm	E4412A
Agilent Step Attenuator, 10dB steps, DC to 4GHz	8496A
Agilent Step Attenuator, 1dB steps, DC to 4GHz	8494A
Anaren Power Divider, 2 Way, 2 to 4GHz	40266
ROHDE & SCHWARZ Signal Generator, 5KHz to 3GHz	SME03
Compaq Laptop Computer, Pentium III 700, Windows ME	Presario 1700
Dell Laptop Computer, Pentium III 700, Windows 98	PP01L

## Test Environment

25°C, 70%RH.

## Test Block Diagram



## Test Procedure

Setup the simplex link shown. Perform all independent instrumentation calibrations prior to this procedure. Set operating power levels using fixed and variable attenuators in system to meet the following objectives:

- Signal Power at receiver approximately -60 dBm (above thermal sensitivity such that thermal noise does not cause bit errors).
- Signal Power at power meter (using high sensitivity probe) between -20 and -40 dBm for optimal linearity.
- Use spectrum analyzer to monitor test.

## W-LINK WLAN PC Card radio Jamming Margin Test

---

- Ensure that CW Jammer generator RF output is disabled and measure the power at the power meter port using the power meter. This is the relative signal power,  $S_r$ .
- Disable Transmitter, and set CW Jammer generator RF output frequency equal to the carrier frequency and enable generator output. Set reference CW Jammer power level at power meter port 8.4 dB below  $S_r$  (minimum J/S, or 10 dB processing gain reference level). Note the power level setting on the generator, this is the reference CW Jammer power setting,  $J_r$ .
- Disable CW Jammer, re-establish link. PER test should be operating essentially error-free.
- Adjust the CW Jammer level to that which causes 8% PER and verify that the S/J is less than 8.4 dB.
- Repeat step 7 for uniform steps in frequency increments of 50 kHz across the receiver passband with the CW Jammer. In this case the receiver passband is  $\pm 8.5$  MHz.

The number of points where the S/J fails to achieve 8.4 dB (is higher than 8.4 dB) is determined and if this is above 20% of the total, the test is failed otherwise it is passed.

The numerical data associated with the following radio channels is tabulated and presented for:

11Mbps:

Channel 1: 2412MHz  
Channel 7: 2442MHz  
Channel 11: 2462MHz

2Mbps:

Channel 7: 2442MHz

**Test Result**

<b>11Mbps Channel 1 (2412MHz) Processing Gain</b>							
<b><math>G_p=(S/N)_o+L_{sys}+(J_r/S_r)</math></b>							
<b>Frequency</b>	<b>(S/N)<sub>o</sub></b>	<b>S<sub>r</sub></b>	<b>J<sub>r</sub></b>	<b>J<sub>r</sub>/S<sub>r</sub></b>	<b>L<sub>sys</sub></b>	<b>FER</b>	<b>G<sub>p</sub></b>
<b>(MHz)</b>	<b>(dB)</b>	<b>(dBm)</b>	<b>(dBm)</b>	<b>(dB)</b>	<b>(dB)</b>	<b>(%)</b>	<b>(dB)</b>
2403.50	16.4	-62	-63.6	1.6	2	6.8	20.0
2403.55	16.4	-62	-63.1	1.1	2	5.8	19.5
2403.60	16.4	-62	-62.9	0.9	2	6.1	19.3
2403.65	16.4	-62	-62.5	0.5	2	6.3	18.9
2403.70	16.4	-62	-62.4	0.4	2	7.9	18.8
2403.75	16.4	-62	-62.4	0.4	2	6.8	18.8
2403.80	16.4	-62	-62.4	0.4	2	5.5	18.8
2403.85	16.4	-62	-62.4	0.4	2	4.7	18.8
2403.90	16.4	-62	-62.6	0.6	2	5.7	19.0
2403.95	16.4	-62	-62.7	0.7	2	5.1	19.1
2404.00	16.4	-62	-63.0	1.0	2	4.9	19.4
2404.05	16.4	-62	-63.4	1.4	2	7.3	19.8
2404.10	16.4	-62	-63.1	1.1	2	6.0	19.5
2404.15	16.4	-62	-63.1	1.1	2	7.5	19.5
2404.20	16.4	-62	-63.2	1.2	2	5.9	19.6
2404.25	16.4	-62	-62.9	0.9	2	6.5	19.3
2404.30	16.4	-62	-62.8	0.8	2	6.6	19.2
2404.35	16.4	-62	-62.9	0.9	2	5.5	19.3
2404.40	16.4	-62	-62.8	0.8	2	5.8	19.2
2404.45	16.4	-62	-62.7	0.7	2	5.4	19.1
2404.50	16.4	-62	-62.5	0.5	2	5.7	18.9
2404.55	16.4	-62	-62.2	0.2	2	7.0	18.6
2404.60	16.4	-62	-62.0	0.0	2	7.1	18.4
2404.65	16.4	-62	-61.7	-0.3	2	5.0	18.1
2404.70	16.4	-62	-61.7	-0.3	2	5.8	18.1
2404.75	16.4	-62	-61.5	-0.5	2	5.9	17.9
2404.80	16.4	-62	-61.6	-0.4	2	7.0	18.0
2404.85	16.4	-62	-61.6	-0.4	2	7.5	18.0
2404.90	16.4	-62	-61.5	-0.5	2	5.3	17.9
2404.95	16.4	-62	-61.8	-0.2	2	6.0	18.2
2405.00	16.4	-62	-62.0	0.0	2	6.2	18.4

**W-LINK WLAN PC Card radio Jamming Margin Test**

---

2405.05	16.4	-62	-62.1	0.1	2	7.7	18.5
2405.10	16.4	-62	-62.2	0.2	2	5.3	18.6
2405.15	16.4	-62	-62.1	0.1	2	4.6	18.5
2405.20	16.4	-62	-62.0	0.0	2	4.7	18.4
2405.25	16.4	-62	-61.8	-0.2	2	7.6	18.2
2405.30	16.4	-62	-61.8	-0.2	2	7.3	18.2
2405.35	16.4	-62	-61.8	-0.2	2	7.2	18.2
2405.40	16.4	-62	-61.7	-0.3	2	4.8	18.1
2405.45	16.4	-62	-61.6	-0.4	2	6.5	18.0
2405.50	16.4	-62	-61.4	-0.6	2	7.6	17.8
2405.55	16.4	-62	-60.9	-1.1	2	7.6	17.3
2405.60	16.4	-62	-60.8	-1.2	2	6.9	17.2
2405.65	16.4	-62	-60.6	-1.4	2	7.8	17.0
2405.70	16.4	-62	-60.5	-1.5	2	5.4	16.9
2405.75	16.4	-62	-60.3	-1.7	2	6.8	16.7
2405.80	16.4	-62	-60.3	-1.7	2	7.8	16.7
2405.85	16.4	-62	-60.2	-1.8	2	7.9	16.6
2405.90	16.4	-62	-60.1	-1.9	2	5.5	16.5
2405.95	16.4	-62	-60.2	-1.8	2	6.3	16.6
2406.00	16.4	-62	-60.2	-1.8	2	5.7	16.6
2406.05	16.4	-62	-60.2	-1.8	2	6.4	16.6
2406.10	16.4	-62	-60.2	-1.8	2	5.0	16.6
2406.15	16.4	-62	-60.2	-1.8	2	5.6	16.6
2406.20	16.4	-62	-60.0	-2.0	2	7.0	16.4
2406.25	16.4	-62	-59.9	-2.1	2	8.0	16.3
2406.30	16.4	-62	-59.5	-2.5	2	7.6	15.9
2406.35	16.4	-62	-59.5	-2.5	2	6.2	15.9
2406.40	16.4	-62	-59.2	-2.8	2	5.6	15.6
2406.45	16.4	-62	-59.2	-2.8	2	6.0	15.6
2406.50	16.4	-62	-59.0	-3.0	2	5.0	15.4
2406.55	16.4	-62	-58.8	-3.2	2	6.8	15.2
2406.60	16.4	-62	-58.8	-3.2	2	6.6	15.2
2406.65	16.4	-62	-58.8	-3.2	2	6.0	15.2
2406.70	16.4	-62	-58.7	-3.3	2	5.7	15.1
2406.75	16.4	-62	-58.7	-3.3	2	8.0	15.1
2406.80	16.4	-62	-58.7	-3.3	2	7.0	15.1
2406.85	16.4	-62	-58.6	-3.4	2	5.2	15.0



**W-LINK WLAN PC Card radio Jamming Margin Test**

---

2406.90	16.4	-62	-58.5	-3.5	2	6.1	14.9
2406.95	16.4	-62	-58.4	-3.6	2	5.1	14.8
2407.00	16.4	-62	-58.3	-3.7	2	5.7	14.7
2407.05	16.4	-62	-58.1	-3.9	2	6.1	14.5
2407.10	16.4	-62	-57.9	-4.1	2	5.0	14.3
2407.15	16.4	-62	-57.8	-4.2	2	7.8	14.2
2407.20	16.4	-62	-57.8	-4.2	2	5.7	14.2
2407.25	16.4	-62	-57.7	-4.3	2	5.7	14.1
2407.30	16.4	-62	-57.6	-4.4	2	4.6	14.0
2407.35	16.4	-62	-57.6	-4.4	2	5.2	14.0
2407.40	16.4	-62	-57.5	-4.5	2	4.6	13.9
2407.45	16.4	-62	-57.5	-4.5	2	6.5	13.9
2407.50	16.4	-62	-57.3	-4.7	2	5.4	13.7
2407.55	16.4	-62	-57.2	-4.8	2	6.7	13.6
2407.60	16.4	-62	-57.2	-4.8	2	6.1	13.6
2407.65	16.4	-62	-57.1	-4.9	2	6.1	13.5
2407.70	16.4	-62	-57.0	-5.0	2	7.9	13.4
2407.75	16.4	-62	-56.9	-5.1	2	7.7	13.3
2407.80	16.4	-62	-56.8	-5.2	2	7.9	13.2
2407.85	16.4	-62	-56.6	-5.4	2	7.6	13.0
2407.90	16.4	-62	-56.7	-5.3	2	5.6	13.1
2407.95	16.4	-62	-56.7	-5.3	2	7.3	13.1
2408.00	16.4	-62	-56.6	-5.4	2	5.7	13.0
2408.05	16.4	-62	-56.7	-5.3	2	7.9	13.1
2408.10	16.4	-62	-56.7	-5.3	2	5.8	13.1
2408.15	16.4	-62	-56.7	-5.3	2	5.8	13.1
2408.20	16.4	-62	-56.6	-5.4	2	6.8	13.0
2408.25	16.4	-62	-56.4	-5.6	2	5.2	12.8
2408.30	16.4	-62	-56.2	-5.8	2	6.5	12.6
2408.35	16.4	-62	-56.2	-5.8	2	7.6	12.6
2408.40	16.4	-62	-56.1	-5.9	2	4.6	12.5
2408.45	16.4	-62	-56.0	-6.0	2	7.3	12.4
2408.50	16.4	-62	-56.0	-6.0	2	8.0	12.4
2408.55	16.4	-62	-55.8	-6.2	2	7.9	12.2
2408.60	16.4	-62	-55.8	-6.2	2	6.0	12.2
2408.65	16.4	-62	-55.9	-6.1	2	7.1	12.3
2408.70	16.4	-62	-55.8	-6.2	2	4.8	12.2

**W-LINK WLAN PC Card radio Jamming Margin Test**

---

2408.75	16.4	-62	-55.9	-6.1	2	6.7	12.3
2408.80	16.4	-62	-55.8	-6.2	2	5.5	12.2
2408.85	16.4	-62	-55.8	-6.2	2	7.6	12.2
2408.90	16.4	-62	-55.6	-6.4	2	4.9	12.0
2408.95	16.4	-62	-55.5	-6.5	2	6.5	11.9
2409.00	16.4	-62	-55.3	-6.7	2	7.8	11.7
2409.05	16.4	-62	-55.1	-6.9	2	7.4	11.5
2409.10	16.4	-62	-54.9	-7.1	2	8.0	11.3
2409.15	16.4	-62	-54.9	-7.1	2	6.9	11.3
2409.20	16.4	-62	-54.9	-7.1	2	7.3	11.3
2409.25	16.4	-62	-54.7	-7.3	2	6.3	11.1
2409.30	16.4	-62	-54.7	-7.3	2	6.2	11.1
2409.35	16.4	-62	-54.8	-7.2	2	5.7	11.2
2409.40	16.4	-62	-54.9	-7.1	2	8.0	11.3
2409.45	16.4	-62	-54.8	-7.2	2	6.5	11.2
2409.50	16.4	-62	-54.8	-7.2	2	5.8	11.2
2409.55	16.4	-62	-55.0	-7.0	2	6.8	11.4
2409.60	16.4	-62	-54.9	-7.1	2	4.6	11.3
2409.65	16.4	-62	-54.9	-7.1	2	5.6	11.3
2409.70	16.4	-62	-54.9	-7.1	2	7.3	11.3
2409.75	16.4	-62	-54.9	-7.1	2	7.9	11.3
2409.80	16.4	-62	-54.6	-7.4	2	6.8	11.0
2409.85	16.4	-62	-54.7	-7.3	2	8.0	11.1
2409.90	16.4	-62	-54.6	-7.4	2	5.1	11.0
2409.95	16.4	-62	-54.6	-7.4	2	7.0	11.0
2410.00	16.4	-62	-54.5	-7.5	2	4.8	10.9
2410.05	16.4	-62	-54.5	-7.5	2	4.5	10.9
2410.10	16.4	-62	-54.5	-7.5	2	7.1	10.9
2410.15	16.4	-62	-54.6	-7.4	2	7.0	11.0
2410.20	16.4	-62	-54.8	-7.2	2	5.4	11.2
2410.25	16.4	-62	-54.9	-7.1	2	6.9	11.3
2410.30	16.4	-62	-54.8	-7.2	2	6.3	11.2
2410.35	16.4	-62	-55.0	-7.0	2	6.3	11.4
2410.40	16.4	-62	-54.8	-7.2	2	5.4	11.2
2410.45	16.4	-62	-54.9	-7.1	2	5.6	11.3
2410.50	16.4	-62	-54.9	-7.1	2	4.8	11.3
2410.55	16.4	-62	-54.8	-7.2	2	4.8	11.2

**W-LINK WLAN PC Card radio Jamming Margin Test**

---

2410.60	16.4	-62	-54.8	-7.2	2	5.0	11.2
2410.65	16.4	-62	-54.8	-7.2	2	5.2	11.2
2410.70	16.4	-62	-54.8	-7.2	2	6.7	11.2
2410.75	16.4	-62	-54.8	-7.2	2	7.9	11.2
2410.80	16.4	-62	-55.0	-7.0	2	5.0	11.4
2410.85	16.4	-62	-55.1	-6.9	2	7.4	11.5
2410.90	16.4	-62	-55.1	-6.9	2	6.2	11.5
2410.95	16.4	-62	-55.2	-6.8	2	5.7	11.6
2411.00	16.4	-62	-55.1	-6.9	2	4.5	11.5
2411.05	16.4	-62	-54.9	-7.1	2	5.9	11.3
2411.10	16.4	-62	-55.1	-6.9	2	6.8	11.5
2411.15	16.4	-62	-55.2	-6.8	2	7.9	11.6
2411.20	16.4	-62	-55.1	-6.9	2	6.8	11.5
2411.25	16.4	-62	-55.1	-6.9	2	7.8	11.5
2411.30	16.4	-62	-55.1	-6.9	2	7.2	11.5
2411.35	16.4	-62	-55.0	-7.0	2	5.6	11.4
2411.40	16.4	-62	-54.9	-7.1	2	6.5	11.3
2411.45	16.4	-62	-55.0	-7.0	2	6.9	11.4
2411.50	16.4	-62	-55.0	-7.0	2	7.2	11.4
2411.55	16.4	-62	-54.9	-7.1	2	5.5	11.3
2411.60	16.4	-62	-55.1	-6.9	2	5.9	11.5
2411.65	16.4	-62	-55.2	-6.8	2	6.9	11.6
2411.70	16.4	-62	-55.1	-6.9	2	7.8	11.5
2411.75	16.4	-62	-55.0	-7.0	2	6.0	11.4
2411.80	16.4	-62	-54.7	-7.3	2	4.7	11.1
2411.85	16.4	-62	-54.7	-7.3	2	7.4	11.1
2411.90	16.4	-62	-54.6	-7.4	2	6.2	11.0
2411.95	16.4	-62	-54.4	-7.6	2	7.8	10.8
2412.00	16.4	-62	-54.4	-7.6	2	4.9	10.8
2412.05	16.4	-62	-54.4	-7.6	2	6.8	10.8
2412.10	16.4	-62	-54.6	-7.4	2	6.6	11.0
2412.15	16.4	-62	-54.9	-7.1	2	5.8	11.3
2412.20	16.4	-62	-55.1	-6.9	2	7.6	11.5
2412.25	16.4	-62	-55.2	-6.8	2	7.6	11.6
2412.30	16.4	-62	-55.3	-6.7	2	6.1	11.7
2412.35	16.4	-62	-55.3	-6.7	2	7.8	11.7
2412.40	16.4	-62	-55.3	-6.7	2	7.8	11.7

**W-LINK WLAN PC Card radio Jamming Margin Test**

---

2412.45	16.4	-62	-55.2	-6.8	2	7.4	11.6
2412.50	16.4	-62	-55.1	-6.9	2	6.8	11.5
2412.55	16.4	-62	-55.2	-6.8	2	7.6	11.6
2412.60	16.4	-62	-55.1	-6.9	2	5.0	11.5
2412.65	16.4	-62	-55.2	-6.8	2	7.4	11.6
2412.70	16.4	-62	-55.3	-6.7	2	7.8	11.7
2412.75	16.4	-62	-55.1	-6.9	2	6.5	11.5
2412.80	16.4	-62	-55.3	-6.7	2	7.6	11.7
2412.85	16.4	-62	-55.4	-6.6	2	5.7	11.8
2412.90	16.4	-62	-55.3	-6.7	2	6.4	11.7
2412.95	16.4	-62	-55.5	-6.5	2	5.7	11.9
2413.00	16.4	-62	-55.4	-6.6	2	5.5	11.8
2413.05	16.4	-62	-55.3	-6.7	2	6.4	11.7
2413.10	16.4	-62	-55.4	-6.6	2	4.8	11.8
2413.15	16.4	-62	-55.3	-6.7	2	4.8	11.7
2413.20	16.4	-62	-55.2	-6.8	2	7.4	11.6
2413.25	16.4	-62	-55.3	-6.7	2	5.4	11.7
2413.30	16.4	-62	-55.1	-6.9	2	4.6	11.5
2413.35	16.4	-62	-55.1	-6.9	2	6.9	11.5
2413.40	16.4	-62	-55.2	-6.8	2	7.1	11.6
2413.45	16.4	-62	-55.1	-6.9	2	4.7	11.5
2413.50	16.4	-62	-55.1	-6.9	2	4.8	11.5
2413.55	16.4	-62	-55.1	-6.9	2	6.1	11.5
2413.60	16.4	-62	-55.2	-6.8	2	4.8	11.6
2413.65	16.4	-62	-55.3	-6.7	2	7.2	11.7
2413.70	16.4	-62	-55.2	-6.8	2	7.8	11.6
2413.75	16.4	-62	-55.3	-6.7	2	4.8	11.7
2413.80	16.4	-62	-55.2	-6.8	2	7.5	11.6
2413.85	16.4	-62	-55.0	-7.0	2	6.7	11.4
2413.90	16.4	-62	-55.0	-7.0	2	6.9	11.4
2413.95	16.4	-62	-54.8	-7.2	2	6.5	11.2
2414.00	16.4	-62	-54.7	-7.3	2	6.4	11.1
2414.05	16.4	-62	-54.7	-7.3	2	6.4	11.1
2414.10	16.4	-62	-54.8	-7.2	2	5.8	11.2
2414.15	16.4	-62	-54.8	-7.2	2	5.7	11.2
2414.20	16.4	-62	-54.8	-7.2	2	4.6	11.2
2414.25	16.4	-62	-54.9	-7.1	2	7.9	11.3

**W-LINK WLAN PC Card radio Jamming Margin Test**

---

2414.30	16.4	-62	-55.1	-6.9	2	7.2	11.5
2414.35	16.4	-62	-55.1	-6.9	2	5.8	11.5
2414.40	16.4	-62	-55.1	-6.9	2	6.9	11.5
2414.45	16.4	-62	-55.0	-7.0	2	5.2	11.4
2414.50	16.4	-62	-55.0	-7.0	2	6.3	11.4
2414.55	16.4	-62	-54.8	-7.2	2	4.6	11.2
2414.60	16.4	-62	-54.9	-7.1	2	7.1	11.3
2414.65	16.4	-62	-54.8	-7.2	2	7.8	11.2
2414.70	16.4	-62	-54.9	-7.1	2	6.1	11.3
2414.75	16.4	-62	-54.9	-7.1	2	5.3	11.3
2414.80	16.4	-62	-55.0	-7.0	2	5.2	11.4
2414.85	16.4	-62	-55.2	-6.8	2	4.9	11.6
2414.90	16.4	-62	-55.1	-6.9	2	6.9	11.5
2414.95	16.4	-62	-55.3	-6.7	2	4.7	11.7
2415.00	16.4	-62	-55.5	-6.5	2	7.6	11.9
2415.05	16.4	-62	-55.5	-6.5	2	5.2	11.9
2415.10	16.4	-62	-55.7	-6.3	2	5.3	12.1
2415.15	16.4	-62	-55.6	-6.4	2	7.3	12.0
2415.20	16.4	-62	-55.6	-6.4	2	5.1	12.0
2415.25	16.4	-62	-55.6	-6.4	2	6.8	12.0
2415.30	16.4	-62	-55.6	-6.4	2	7.1	12.0
2415.35	16.4	-62	-55.6	-6.4	2	7.5	12.0
2415.40	16.4	-62	-55.6	-6.4	2	6.0	12.0
2415.45	16.4	-62	-55.7	-6.3	2	7.8	12.1
2415.50	16.4	-62	-55.6	-6.4	2	6.9	12.0
2415.55	16.4	-62	-55.9	-6.1	2	7.9	12.3
2415.60	16.4	-62	-55.9	-6.1	2	5.2	12.3
2415.65	16.4	-62	-56.1	-5.9	2	6.6	12.5
2415.70	16.4	-62	-56.2	-5.8	2	5.5	12.6
2415.75	16.4	-62	-56.3	-5.7	2	7.8	12.7
2415.80	16.4	-62	-56.4	-5.6	2	6.0	12.8
2415.85	16.4	-62	-56.4	-5.6	2	6.8	12.8
2415.90	16.4	-62	-56.3	-5.7	2	5.9	12.7
2415.95	16.4	-62	-56.4	-5.6	2	6.7	12.8
2416.00	16.4	-62	-56.3	-5.7	2	6.7	12.7
2416.05	16.4	-62	-56.3	-5.7	2	7.5	12.7
2416.10	16.4	-62	-56.4	-5.6	2	6.7	12.8

**W-LINK WLAN PC Card radio Jamming Margin Test**

---

2416.15	16.4	-62	-56.4	-5.6	2	4.6	12.8
2416.20	16.4	-62	-56.6	-5.4	2	7.9	13.0
2416.25	16.4	-62	-56.7	-5.3	2	7.1	13.1
2416.30	16.4	-62	-56.7	-5.3	2	6.6	13.1
2416.35	16.4	-62	-57.0	-5.0	2	6.5	13.4
2416.40	16.4	-62	-57.1	-4.9	2	5.8	13.5
2416.45	16.4	-62	-57.2	-4.8	2	5.1	13.6
2416.50	16.4	-62	-57.2	-4.8	2	6.5	13.6
2416.55	16.4	-62	-57.2	-4.8	2	7.2	13.6
2416.60	16.4	-62	-57.2	-4.8	2	7.1	13.6
2416.65	16.4	-62	-57.2	-4.8	2	6.7	13.6
2416.70	16.4	-62	-57.2	-4.8	2	7.0	13.6
2416.75	16.4	-62	-57.4	-4.6	2	7.3	13.8
2416.80	16.4	-62	-57.4	-4.6	2	7.5	13.8
2416.85	16.4	-62	-57.5	-4.5	2	6.1	13.9
2416.90	16.4	-62	-57.5	-4.5	2	5.5	13.9
2416.95	16.4	-62	-57.7	-4.3	2	7.0	14.1
2417.00	16.4	-62	-57.7	-4.3	2	5.5	14.1
2417.05	16.4	-62	-57.9	-4.1	2	5.1	14.3
2417.10	16.4	-62	-58.2	-3.8	2	7.3	14.6
2417.15	16.4	-62	-58.3	-3.7	2	4.5	14.7
2417.20	16.4	-62	-58.4	-3.6	2	5.1	14.8
2417.25	16.4	-62	-58.5	-3.5	2	5.7	14.9
2417.30	16.4	-62	-58.5	-3.5	2	5.6	14.9
2417.35	16.4	-62	-58.5	-3.5	2	4.7	14.9
2417.40	16.4	-62	-58.7	-3.3	2	6.7	15.1
2417.45	16.4	-62	-58.7	-3.3	2	4.6	15.1
2417.50	16.4	-62	-59.0	-3.0	2	4.5	15.4
2417.55	16.4	-62	-59.0	-3.0	2	4.8	15.4
2417.60	16.4	-62	-59.2	-2.8	2	7.3	15.6
2417.65	16.4	-62	-59.5	-2.5	2	6.8	15.9
2417.70	16.4	-62	-59.7	-2.3	2	6.1	16.1
2417.75	16.4	-62	-60.0	-2.0	2	4.8	16.4
2417.80	16.4	-62	-60.1	-1.9	2	6.4	16.5
2417.85	16.4	-62	-60.3	-1.7	2	7.9	16.7
2417.90	16.4	-62	-60.3	-1.7	2	7.0	16.7
2417.95	16.4	-62	-60.4	-1.6	2	4.9	16.8

**W-LINK WLAN PC Card radio Jamming Margin Test**

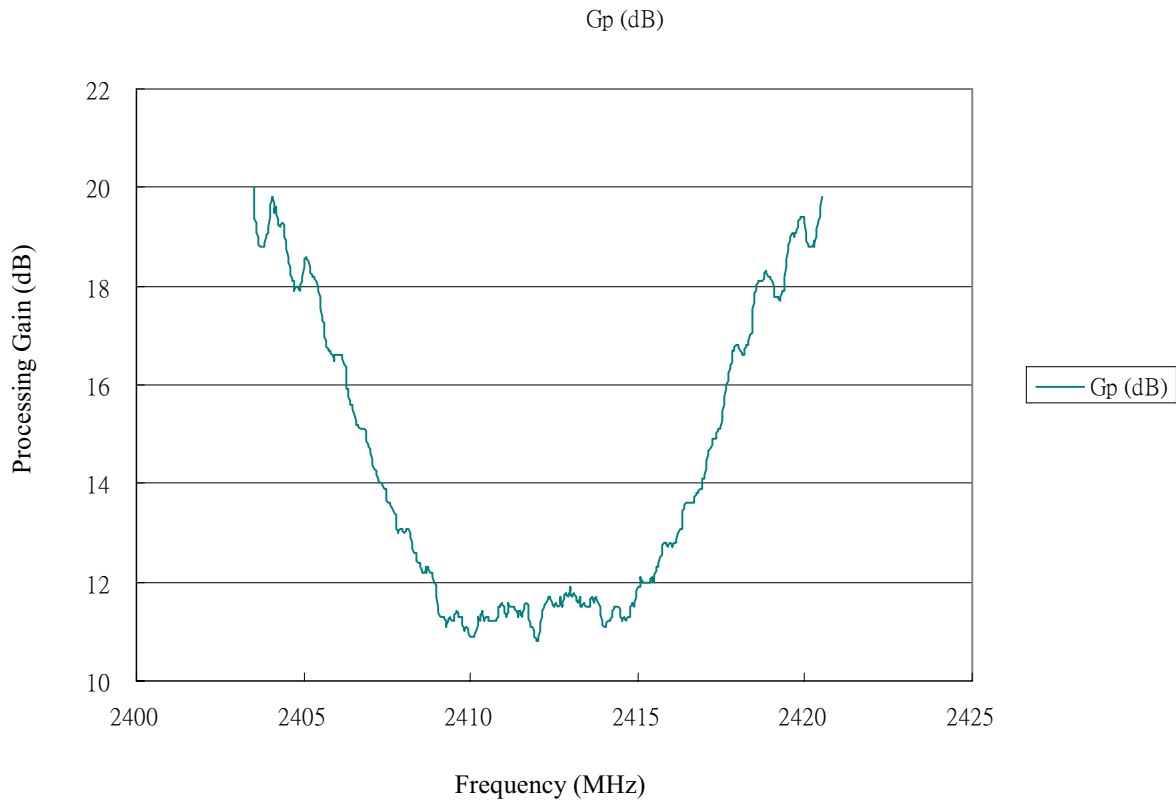
---

2418.00	16.4	-62	-60.4	-1.6	2	6.4	16.8
2418.05	16.4	-62	-60.3	-1.7	2	5.6	16.7
2418.10	16.4	-62	-60.2	-1.8	2	7.9	16.6
2418.15	16.4	-62	-60.2	-1.8	2	6.3	16.6
2418.20	16.4	-62	-60.2	-1.8	2	7.3	16.6
2418.25	16.4	-62	-60.4	-1.6	2	4.7	16.8
2418.30	16.4	-62	-60.4	-1.6	2	7.2	16.8
2418.35	16.4	-62	-60.6	-1.4	2	6.1	17.0
2418.40	16.4	-62	-60.7	-1.3	2	6.2	17.1
2418.45	16.4	-62	-60.9	-1.1	2	6.8	17.3
2418.50	16.4	-62	-61.4	-0.6	2	7.0	17.8
2418.55	16.4	-62	-61.5	-0.5	2	5.0	17.9
2418.60	16.4	-62	-61.7	-0.3	2	5.6	18.1
2418.65	16.4	-62	-61.7	-0.3	2	5.9	18.1
2418.70	16.4	-62	-61.7	-0.3	2	7.9	18.1
2418.75	16.4	-62	-61.8	-0.2	2	7.8	18.2
2418.80	16.4	-62	-61.8	-0.2	2	6.4	18.2
2418.85	16.4	-62	-61.9	-0.1	2	4.6	18.3
2418.90	16.4	-62	-61.8	-0.2	2	6.5	18.2
2418.95	16.4	-62	-61.8	-0.2	2	7.6	18.2
2419.00	16.4	-62	-61.7	-0.3	2	7.4	18.1
2419.05	16.4	-62	-61.6	-0.4	2	7.2	18.0
2419.10	16.4	-62	-61.4	-0.6	2	7.7	17.8
2419.15	16.4	-62	-61.4	-0.6	2	6.9	17.8
2419.20	16.4	-62	-61.4	-0.6	2	7.7	17.8
2419.25	16.4	-62	-61.3	-0.7	2	4.6	17.7
2419.30	16.4	-62	-61.5	-0.5	2	5.4	17.9
2419.35	16.4	-62	-61.5	-0.5	2	5.1	17.9
2419.40	16.4	-62	-61.6	-0.4	2	5.5	18.0
2419.45	16.4	-62	-62.0	0.0	2	4.9	18.4
2419.50	16.4	-62	-62.3	0.3	2	5.6	18.7
2419.55	16.4	-62	-62.5	0.5	2	6.1	18.9
2419.60	16.4	-62	-62.7	0.7	2	7.7	19.1
2419.65	16.4	-62	-62.6	0.6	2	5.9	19.0
2419.70	16.4	-62	-62.7	0.7	2	5.8	19.1
2419.75	16.4	-62	-62.7	0.7	2	5.6	19.1
2419.80	16.4	-62	-62.8	0.8	2	7.8	19.2

**W-LINK WLAN PC Card radio Jamming Margin Test**

2419.85	16.4	-62	-63.0	1.0	2	6.6	19.4
2419.90	16.4	-62	-63.0	1.0	2	6.1	19.4
2419.95	16.4	-62	-63.0	1.0	2	5.2	19.4
2420.00	16.4	-62	-62.9	0.9	2	5.8	19.3
2420.05	16.4	-62	-62.7	0.7	2	6.3	19.1
2420.10	16.4	-62	-62.4	0.4	2	7.1	18.8
2420.15	16.4	-62	-62.4	0.4	2	7.5	18.8
2420.20	16.4	-62	-62.4	0.4	2	7.0	18.8
2420.25	16.4	-62	-62.5	0.5	2	7.5	18.9
2420.30	16.4	-62	-62.4	0.4	2	5.6	18.8
2420.35	16.4	-62	-62.6	0.6	2	5.7	19.0
2420.40	16.4	-62	-62.9	0.9	2	5.3	19.3
2420.45	16.4	-62	-63.0	1.0	2	5.6	19.4
2420.50	16.4	-62	-63.4	1.4	2	7.2	19.8

**Processing Gain(dB)@20th Percentile=11.5**





**W-LINK WLAN PC Card radio Jamming Margin Test**

<b>11Mbps Channel 7 (2442MHz) Processing Gain</b>							
<b><math>G_p=(S/N)_o+L_{sys}+(J_r/S_r)</math></b>							
<b>Frequency</b>	<b>(S/N)<sub>o</sub></b>	<b>S<sub>r</sub></b>	<b>J<sub>r</sub></b>	<b>J<sub>r</sub>/S<sub>r</sub></b>	<b>L<sub>sys</sub></b>	<b>FER</b>	<b>G<sub>p</sub></b>
<b>(MHz)</b>	<b>(dB)</b>	<b>(dBm)</b>	<b>(dBm)</b>	<b>(dB)</b>	<b>(dB)</b>	<b>(%)</b>	<b>(dB)</b>
2433.50	16.4	-62	-63.5	1.5	2	6.2	19.9
2433.55	16.4	-62	-63.1	1.1	2	6.9	19.5
2433.60	16.4	-62	-62.9	0.9	2	6.8	19.3
2433.65	16.4	-62	-62.6	0.6	2	5.4	19.0
2433.70	16.4	-62	-62.5	0.5	2	7.4	18.9
2433.75	16.4	-62	-62.3	0.3	2	5.7	18.7
2433.80	16.4	-62	-62.4	0.4	2	6.7	18.8
2433.85	16.4	-62	-62.4	0.4	2	6.3	18.8
2433.90	16.4	-62	-62.6	0.6	2	4.8	19.0
2433.95	16.4	-62	-62.6	0.6	2	5.1	19.0
2434.00	16.4	-62	-63.0	1.0	2	5.5	19.4
2434.05	16.4	-62	-63.4	1.4	2	6.6	19.8
2434.10	16.4	-62	-63.2	1.2	2	5.7	19.6
2434.15	16.4	-62	-63.1	1.1	2	7.4	19.5
2434.20	16.4	-62	-63.2	1.2	2	7.3	19.6
2434.25	16.4	-62	-63.0	1.0	2	8.0	19.4
2434.30	16.4	-62	-62.8	0.8	2	6.9	19.2
2434.35	16.4	-62	-62.8	0.8	2	7.0	19.2
2434.40	16.4	-62	-62.7	0.7	2	6.4	19.1
2434.45	16.4	-62	-62.7	0.7	2	5.1	19.1
2434.50	16.4	-62	-62.5	0.5	2	5.0	18.9
2434.55	16.4	-62	-62.1	0.1	2	5.4	18.5
2434.60	16.4	-62	-62.1	0.1	2	6.9	18.5
2434.65	16.4	-62	-61.7	-0.3	2	4.8	18.1
2434.70	16.4	-62	-61.7	-0.3	2	4.8	18.1
2434.75	16.4	-62	-61.5	-0.5	2	7.3	17.9
2434.80	16.4	-62	-61.6	-0.4	2	7.1	18.0
2434.85	16.4	-62	-61.5	-0.5	2	7.2	17.9
2434.90	16.4	-62	-61.6	-0.4	2	5.6	18.0
2434.95	16.4	-62	-61.7	-0.3	2	5.6	18.1
2435.00	16.4	-62	-62.0	0.0	2	6.9	18.4
2435.05	16.4	-62	-62.1	0.1	2	5.6	18.5

**W-LINK WLAN PC Card radio Jamming Margin Test**

---

2435.10	16.4	-62	-62.1	0.1	2	7.6	18.5
2435.15	16.4	-62	-62.1	0.1	2	6.4	18.5
2435.20	16.4	-62	-62.0	0.0	2	6.0	18.4
2435.25	16.4	-62	-61.8	-0.2	2	4.7	18.2
2435.30	16.4	-62	-61.9	-0.1	2	4.9	18.3
2435.35	16.4	-62	-61.8	-0.2	2	7.9	18.2
2435.40	16.4	-62	-61.8	-0.2	2	5.5	18.2
2435.45	16.4	-62	-61.6	-0.4	2	5.7	18.0
2435.50	16.4	-62	-61.4	-0.6	2	7.6	17.8
2435.55	16.4	-62	-60.9	-1.1	2	5.6	17.3
2435.60	16.4	-62	-60.7	-1.3	2	6.6	17.1
2435.65	16.4	-62	-60.6	-1.4	2	6.1	17.0
2435.70	16.4	-62	-60.5	-1.5	2	5.0	16.9
2435.75	16.4	-62	-60.3	-1.7	2	7.6	16.7
2435.80	16.4	-62	-60.3	-1.7	2	7.5	16.7
2435.85	16.4	-62	-60.2	-1.8	2	6.4	16.6
2435.90	16.4	-62	-60.2	-1.8	2	6.3	16.6
2435.95	16.4	-62	-60.2	-1.8	2	7.3	16.6
2436.00	16.4	-62	-60.3	-1.7	2	4.7	16.7
2436.05	16.4	-62	-60.3	-1.7	2	5.7	16.7
2436.10	16.4	-62	-60.3	-1.7	2	5.4	16.7
2436.15	16.4	-62	-60.1	-1.9	2	6.8	16.5
2436.20	16.4	-62	-59.9	-2.1	2	5.8	16.3
2436.25	16.4	-62	-59.8	-2.2	2	7.9	16.2
2436.30	16.4	-62	-59.6	-2.4	2	5.9	16.0
2436.35	16.4	-62	-59.4	-2.6	2	6.0	15.8
2436.40	16.4	-62	-59.2	-2.8	2	5.2	15.6
2436.45	16.4	-62	-59.1	-2.9	2	7.8	15.5
2436.50	16.4	-62	-59.0	-3.0	2	7.8	15.4
2436.55	16.4	-62	-58.9	-3.1	2	7.8	15.3
2436.60	16.4	-62	-58.9	-3.1	2	5.0	15.3
2436.65	16.4	-62	-58.8	-3.2	2	7.7	15.2
2436.70	16.4	-62	-58.8	-3.2	2	7.5	15.2
2436.75	16.4	-62	-58.7	-3.3	2	7.9	15.1
2436.80	16.4	-62	-58.6	-3.4	2	5.2	15.0
2436.85	16.4	-62	-58.6	-3.4	2	6.2	15.0
2436.90	16.4	-62	-58.5	-3.5	2	4.7	14.9

**W-LINK WLAN PC Card radio Jamming Margin Test**

---

2436.95	16.4	-62	-58.4	-3.6	2	7.4	14.8
2437.00	16.4	-62	-58.2	-3.8	2	7.2	14.6
2437.05	16.4	-62	-58.0	-4.0	2	5.1	14.4
2437.10	16.4	-62	-58.0	-4.0	2	7.1	14.4
2437.15	16.4	-62	-57.9	-4.1	2	6.6	14.3
2437.20	16.4	-62	-57.8	-4.2	2	7.4	14.2
2437.25	16.4	-62	-57.7	-4.3	2	6.6	14.1
2437.30	16.4	-62	-57.6	-4.4	2	4.5	14.0
2437.35	16.4	-62	-57.6	-4.4	2	4.7	14.0
2437.40	16.4	-62	-57.5	-4.5	2	5.8	13.9
2437.45	16.4	-62	-57.5	-4.5	2	7.1	13.9
2437.50	16.4	-62	-57.3	-4.7	2	5.0	13.7
2437.55	16.4	-62	-57.3	-4.7	2	7.3	13.7
2437.60	16.4	-62	-57.1	-4.9	2	4.7	13.5
2437.65	16.4	-62	-57.0	-5.0	2	6.2	13.4
2437.70	16.4	-62	-56.9	-5.1	2	5.3	13.3
2437.75	16.4	-62	-56.8	-5.2	2	7.2	13.2
2437.80	16.4	-62	-56.8	-5.2	2	6.3	13.2
2437.85	16.4	-62	-56.7	-5.3	2	6.2	13.1
2437.90	16.4	-62	-56.7	-5.3	2	5.3	13.1
2437.95	16.4	-62	-56.7	-5.3	2	4.7	13.1
2438.00	16.4	-62	-56.6	-5.4	2	6.0	13.0
2438.05	16.4	-62	-56.6	-5.4	2	4.6	13.0
2438.10	16.4	-62	-56.6	-5.4	2	5.5	13.0
2438.15	16.4	-62	-56.7	-5.3	2	7.9	13.1
2438.20	16.4	-62	-56.7	-5.3	2	5.0	13.1
2438.25	16.4	-62	-56.5	-5.5	2	7.8	12.9
2438.30	16.4	-62	-56.2	-5.8	2	7.1	12.6
2438.35	16.4	-62	-56.2	-5.8	2	5.8	12.6
2438.40	16.4	-62	-56.1	-5.9	2	6.1	12.5
2438.45	16.4	-62	-55.9	-6.1	2	4.9	12.3
2438.50	16.4	-62	-56.0	-6.0	2	4.7	12.4
2438.55	16.4	-62	-55.9	-6.1	2	5.1	12.3
2438.60	16.4	-62	-55.8	-6.2	2	6.7	12.2
2438.65	16.4	-62	-55.9	-6.1	2	7.9	12.3
2438.70	16.4	-62	-55.8	-6.2	2	5.3	12.2
2438.75	16.4	-62	-55.8	-6.2	2	5.3	12.2

**W-LINK WLAN PC Card radio Jamming Margin Test**

---

2438.80	16.4	-62	-55.7	-6.3	2	6.8	12.1
2438.85	16.4	-62	-55.7	-6.3	2	7.9	12.1
2438.90	16.4	-62	-55.5	-6.5	2	4.6	11.9
2438.95	16.4	-62	-55.5	-6.5	2	5.7	11.9
2439.00	16.4	-62	-55.3	-6.7	2	4.9	11.7
2439.05	16.4	-62	-55.1	-6.9	2	5.4	11.5
2439.10	16.4	-62	-55.0	-7.0	2	5.9	11.4
2439.15	16.4	-62	-54.9	-7.1	2	5.2	11.3
2439.20	16.4	-62	-54.8	-7.2	2	5.5	11.2
2439.25	16.4	-62	-54.7	-7.3	2	7.4	11.1
2439.30	16.4	-62	-54.8	-7.2	2	4.5	11.2
2439.35	16.4	-62	-54.8	-7.2	2	7.0	11.2
2439.40	16.4	-62	-54.8	-7.2	2	6.8	11.2
2439.45	16.4	-62	-54.9	-7.1	2	5.0	11.3
2439.50	16.4	-62	-54.9	-7.1	2	5.5	11.3
2439.55	16.4	-62	-54.9	-7.1	2	6.5	11.3
2439.60	16.4	-62	-54.9	-7.1	2	7.2	11.3
2439.65	16.4	-62	-55.0	-7.0	2	5.8	11.4
2439.70	16.4	-62	-54.9	-7.1	2	8.0	11.3
2439.75	16.4	-62	-54.9	-7.1	2	6.2	11.3
2439.80	16.4	-62	-54.6	-7.4	2	7.2	11.0
2439.85	16.4	-62	-54.7	-7.3	2	7.3	11.1
2439.90	16.4	-62	-54.6	-7.4	2	5.2	11.0
2439.95	16.4	-62	-54.6	-7.4	2	6.5	11.0
2440.00	16.4	-62	-54.5	-7.5	2	7.9	10.9
2440.05	16.4	-62	-54.6	-7.4	2	6.9	11.0
2440.10	16.4	-62	-54.6	-7.4	2	6.5	11.0
2440.15	16.4	-62	-54.6	-7.4	2	8.0	11.0
2440.20	16.4	-62	-54.7	-7.3	2	7.6	11.1
2440.25	16.4	-62	-54.8	-7.2	2	5.7	11.2
2440.30	16.4	-62	-54.9	-7.1	2	6.5	11.3
2440.35	16.4	-62	-54.9	-7.1	2	7.5	11.3
2440.40	16.4	-62	-54.8	-7.2	2	7.3	11.2
2440.45	16.4	-62	-54.8	-7.2	2	7.1	11.2
2440.50	16.4	-62	-54.9	-7.1	2	5.3	11.3
2440.55	16.4	-62	-54.8	-7.2	2	7.2	11.2
2440.60	16.4	-62	-54.7	-7.3	2	6.9	11.1

**W-LINK WLAN PC Card radio Jamming Margin Test**

---

2440.65	16.4	-62	-54.8	-7.2	2	6.7	11.2
2440.70	16.4	-62	-54.9	-7.1	2	7.6	11.3
2440.75	16.4	-62	-54.8	-7.2	2	4.8	11.2
2440.80	16.4	-62	-55.0	-7.0	2	4.9	11.4
2440.85	16.4	-62	-55.0	-7.0	2	6.9	11.4
2440.90	16.4	-62	-55.1	-6.9	2	7.8	11.5
2440.95	16.4	-62	-55.2	-6.8	2	5.6	11.6
2441.00	16.4	-62	-55.1	-6.9	2	5.2	11.5
2441.05	16.4	-62	-54.9	-7.1	2	5.8	11.3
2441.10	16.4	-62	-55.1	-6.9	2	6.4	11.5
2441.15	16.4	-62	-55.1	-6.9	2	5.3	11.5
2441.20	16.4	-62	-55.1	-6.9	2	5.2	11.5
2441.25	16.4	-62	-55.1	-6.9	2	6.5	11.5
2441.30	16.4	-62	-55.1	-6.9	2	5.9	11.5
2441.35	16.4	-62	-54.9	-7.1	2	6.3	11.3
2441.40	16.4	-62	-55.0	-7.0	2	5.9	11.4
2441.45	16.4	-62	-55.0	-7.0	2	4.9	11.4
2441.50	16.4	-62	-55.0	-7.0	2	6.9	11.4
2441.55	16.4	-62	-54.9	-7.1	2	5.5	11.3
2441.60	16.4	-62	-55.2	-6.8	2	5.1	11.6
2441.65	16.4	-62	-55.2	-6.8	2	6.6	11.6
2441.70	16.4	-62	-55.0	-7.0	2	6.7	11.4
2441.75	16.4	-62	-55.0	-7.0	2	6.4	11.4
2441.80	16.4	-62	-54.8	-7.2	2	7.2	11.2
2441.85	16.4	-62	-54.6	-7.4	2	7.0	11.0
2441.90	16.4	-62	-54.6	-7.4	2	6.7	11.0
2441.95	16.4	-62	-54.3	-7.7	2	6.1	10.7
2442.00	16.4	-62	-54.4	-7.6	2	7.3	10.8
2442.05	16.4	-62	-54.5	-7.5	2	7.5	10.9
2442.10	16.4	-62	-54.7	-7.3	2	5.5	11.1
2442.15	16.4	-62	-55.0	-7.0	2	5.2	11.4
2442.20	16.4	-62	-55.1	-6.9	2	6.2	11.5
2442.25	16.4	-62	-55.1	-6.9	2	7.3	11.5
2442.30	16.4	-62	-55.2	-6.8	2	5.5	11.6
2442.35	16.4	-62	-55.2	-6.8	2	4.6	11.6
2442.40	16.4	-62	-55.3	-6.7	2	4.8	11.7
2442.45	16.4	-62	-55.2	-6.8	2	5.2	11.6

**W-LINK WLAN PC Card radio Jamming Margin Test**

---

2442.50	16.4	-62	-55.2	-6.8	2	6.4	11.6
2442.55	16.4	-62	-55.2	-6.8	2	7.1	11.6
2442.60	16.4	-62	-55.2	-6.8	2	7.8	11.6
2442.65	16.4	-62	-55.2	-6.8	2	7.9	11.6
2442.70	16.4	-62	-55.3	-6.7	2	7.2	11.7
2442.75	16.4	-62	-55.1	-6.9	2	7.7	11.5
2442.80	16.4	-62	-55.4	-6.6	2	6.5	11.8
2442.85	16.4	-62	-55.3	-6.7	2	6.7	11.7
2442.90	16.4	-62	-55.4	-6.6	2	6.2	11.8
2442.95	16.4	-62	-55.4	-6.6	2	5.2	11.8
2443.00	16.4	-62	-55.3	-6.7	2	6.0	11.7
2443.05	16.4	-62	-55.4	-6.6	2	4.8	11.8
2443.10	16.4	-62	-55.4	-6.6	2	7.0	11.8
2443.15	16.4	-62	-55.3	-6.7	2	5.8	11.7
2443.20	16.4	-62	-55.2	-6.8	2	5.3	11.6
2443.25	16.4	-62	-55.2	-6.8	2	6.8	11.6
2443.30	16.4	-62	-55.2	-6.8	2	7.9	11.6
2443.35	16.4	-62	-55.1	-6.9	2	5.1	11.5
2443.40	16.4	-62	-55.2	-6.8	2	6.1	11.6
2443.45	16.4	-62	-55.1	-6.9	2	7.6	11.5
2443.50	16.4	-62	-55.2	-6.8	2	7.7	11.6
2443.55	16.4	-62	-55.2	-6.8	2	5.3	11.6
2443.60	16.4	-62	-55.3	-6.7	2	7.5	11.7
2443.65	16.4	-62	-55.2	-6.8	2	6.6	11.6
2443.70	16.4	-62	-55.3	-6.7	2	5.1	11.7
2443.75	16.4	-62	-55.2	-6.8	2	5.5	11.6
2443.80	16.4	-62	-55.2	-6.8	2	4.8	11.6
2443.85	16.4	-62	-55.1	-6.9	2	5.8	11.5
2443.90	16.4	-62	-55.0	-7.0	2	5.4	11.4
2443.95	16.4	-62	-54.9	-7.1	2	7.4	11.3
2444.00	16.4	-62	-54.8	-7.2	2	6.0	11.2
2444.05	16.4	-62	-54.7	-7.3	2	6.3	11.1
2444.10	16.4	-62	-54.8	-7.2	2	4.8	11.2
2444.15	16.4	-62	-54.8	-7.2	2	7.0	11.2
2444.20	16.4	-62	-54.8	-7.2	2	7.2	11.2
2444.25	16.4	-62	-54.9	-7.1	2	6.2	11.3
2444.30	16.4	-62	-55.1	-6.9	2	6.4	11.5

**W-LINK WLAN PC Card radio Jamming Margin Test**

---

2444.35	16.4	-62	-55.1	-6.9	2	5.0	11.5
2444.40	16.4	-62	-55.1	-6.9	2	7.0	11.5
2444.45	16.4	-62	-55.1	-6.9	2	8.0	11.5
2444.50	16.4	-62	-55.0	-7.0	2	5.9	11.4
2444.55	16.4	-62	-54.9	-7.1	2	7.9	11.3
2444.60	16.4	-62	-54.8	-7.2	2	5.6	11.2
2444.65	16.4	-62	-54.9	-7.1	2	5.1	11.3
2444.70	16.4	-62	-54.9	-7.1	2	7.6	11.3
2444.75	16.4	-62	-54.9	-7.1	2	6.6	11.3
2444.80	16.4	-62	-55.1	-6.9	2	7.5	11.5
2444.85	16.4	-62	-55.1	-6.9	2	7.9	11.5
2444.90	16.4	-62	-55.1	-6.9	2	6.3	11.5
2444.95	16.4	-62	-55.3	-6.7	2	7.1	11.7
2445.00	16.4	-62	-55.4	-6.6	2	6.5	11.8
2445.05	16.4	-62	-55.6	-6.4	2	7.8	12.0
2445.10	16.4	-62	-55.6	-6.4	2	4.6	12.0
2445.15	16.4	-62	-55.6	-6.4	2	5.0	12.0
2445.20	16.4	-62	-55.7	-6.3	2	4.5	12.1
2445.25	16.4	-62	-55.7	-6.3	2	5.4	12.1
2445.30	16.4	-62	-55.6	-6.4	2	7.3	12.0
2445.35	16.4	-62	-55.6	-6.4	2	7.3	12.0
2445.40	16.4	-62	-55.6	-6.4	2	7.7	12.0
2445.45	16.4	-62	-55.6	-6.4	2	5.2	12.0
2445.50	16.4	-62	-55.7	-6.3	2	7.6	12.1
2445.55	16.4	-62	-55.8	-6.2	2	6.7	12.2
2445.60	16.4	-62	-55.9	-6.1	2	7.2	12.3
2445.65	16.4	-62	-56.1	-5.9	2	7.8	12.5
2445.70	16.4	-62	-56.2	-5.8	2	7.0	12.6
2445.75	16.4	-62	-56.2	-5.8	2	5.0	12.6
2445.80	16.4	-62	-56.4	-5.6	2	5.1	12.8
2445.85	16.4	-62	-56.4	-5.6	2	7.7	12.8
2445.90	16.4	-62	-56.4	-5.6	2	5.3	12.8
2445.95	16.4	-62	-56.4	-5.6	2	7.9	12.8
2446.00	16.4	-62	-56.4	-5.6	2	5.2	12.8
2446.05	16.4	-62	-56.4	-5.6	2	7.2	12.8
2446.10	16.4	-62	-56.4	-5.6	2	7.8	12.8
2446.15	16.4	-62	-56.5	-5.5	2	6.3	12.9

**W-LINK WLAN PC Card radio Jamming Margin Test**

---

2446.20	16.4	-62	-56.6	-5.4	2	6.6	13.0
2446.25	16.4	-62	-56.6	-5.4	2	6.1	13.0
2446.30	16.4	-62	-56.7	-5.3	2	4.8	13.1
2446.35	16.4	-62	-57.0	-5.0	2	4.8	13.4
2446.40	16.4	-62	-57.2	-4.8	2	6.1	13.6
2446.45	16.4	-62	-57.2	-4.8	2	7.2	13.6
2446.50	16.4	-62	-57.1	-4.9	2	5.5	13.5
2446.55	16.4	-62	-57.3	-4.7	2	4.8	13.7
2446.60	16.4	-62	-57.3	-4.7	2	4.8	13.7
2446.65	16.4	-62	-57.2	-4.8	2	5.6	13.6
2446.70	16.4	-62	-57.2	-4.8	2	7.9	13.6
2446.75	16.4	-62	-57.3	-4.7	2	4.8	13.7
2446.80	16.4	-62	-57.3	-4.7	2	5.4	13.7
2446.85	16.4	-62	-57.5	-4.5	2	7.2	13.9
2446.90	16.4	-62	-57.5	-4.5	2	7.6	13.9
2446.95	16.4	-62	-57.8	-4.2	2	7.2	14.2
2447.00	16.4	-62	-57.7	-4.3	2	5.8	14.1
2447.05	16.4	-62	-57.9	-4.1	2	6.4	14.3
2447.10	16.4	-62	-58.1	-3.9	2	5.4	14.5
2447.15	16.4	-62	-58.3	-3.7	2	4.5	14.7
2447.20	16.4	-62	-58.5	-3.5	2	6.3	14.9
2447.25	16.4	-62	-58.5	-3.5	2	5.7	14.9
2447.30	16.4	-62	-58.5	-3.5	2	6.6	14.9
2447.35	16.4	-62	-58.5	-3.5	2	5.3	14.9
2447.40	16.4	-62	-58.7	-3.3	2	4.6	15.1
2447.45	16.4	-62	-58.7	-3.3	2	6.8	15.1
2447.50	16.4	-62	-58.9	-3.1	2	6.4	15.3
2447.55	16.4	-62	-59.0	-3.0	2	4.8	15.4
2447.60	16.4	-62	-59.3	-2.7	2	5.3	15.7
2447.65	16.4	-62	-59.5	-2.5	2	6.4	15.9
2447.70	16.4	-62	-59.6	-2.4	2	5.9	16.0
2447.75	16.4	-62	-60.0	-2.0	2	7.3	16.4
2447.80	16.4	-62	-60.2	-1.8	2	6.1	16.6
2447.85	16.4	-62	-60.3	-1.7	2	7.5	16.7
2447.90	16.4	-62	-60.4	-1.6	2	5.1	16.8
2447.95	16.4	-62	-60.3	-1.7	2	7.0	16.7
2448.00	16.4	-62	-60.5	-1.5	2	5.9	16.9



**W-LINK WLAN PC Card radio Jamming Margin Test**

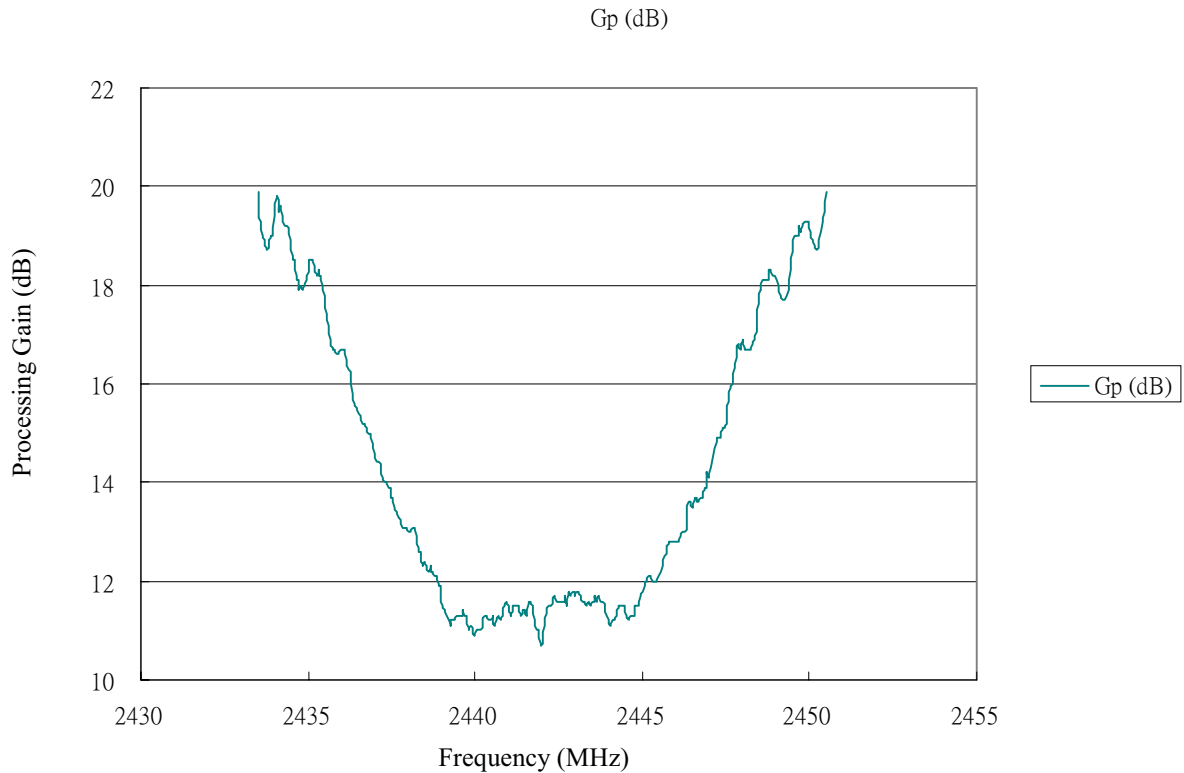
---

2448.05	16.4	-62	-60.3	-1.7	2	6.7	16.7
2448.10	16.4	-62	-60.3	-1.7	2	4.6	16.7
2448.15	16.4	-62	-60.3	-1.7	2	5.4	16.7
2448.20	16.4	-62	-60.3	-1.7	2	6.0	16.7
2448.25	16.4	-62	-60.3	-1.7	2	4.8	16.7
2448.30	16.4	-62	-60.4	-1.6	2	5.9	16.8
2448.35	16.4	-62	-60.5	-1.5	2	6.1	16.9
2448.40	16.4	-62	-60.8	-1.2	2	7.4	17.2
2448.45	16.4	-62	-60.9	-1.1	2	7.0	17.3
2448.50	16.4	-62	-61.3	-0.7	2	4.6	17.7
2448.55	16.4	-62	-61.5	-0.5	2	5.8	17.9
2448.60	16.4	-62	-61.7	-0.3	2	4.9	18.1
2448.65	16.4	-62	-61.7	-0.3	2	7.8	18.1
2448.70	16.4	-62	-61.7	-0.3	2	7.1	18.1
2448.75	16.4	-62	-61.7	-0.3	2	5.3	18.1
2448.80	16.4	-62	-61.9	-0.1	2	7.9	18.3
2448.85	16.4	-62	-61.9	-0.1	2	5.7	18.3
2448.90	16.4	-62	-61.8	-0.2	2	7.8	18.2
2448.95	16.4	-62	-61.8	-0.2	2	7.4	18.2
2449.00	16.4	-62	-61.7	-0.3	2	7.7	18.1
2449.05	16.4	-62	-61.5	-0.5	2	7.1	17.9
2449.10	16.4	-62	-61.5	-0.5	2	4.7	17.9
2449.15	16.4	-62	-61.4	-0.6	2	7.7	17.8
2449.20	16.4	-62	-61.3	-0.7	2	5.8	17.7
2449.25	16.4	-62	-61.3	-0.7	2	6.3	17.7
2449.30	16.4	-62	-61.4	-0.6	2	5.3	17.8
2449.35	16.4	-62	-61.6	-0.4	2	5.8	18.0
2449.40	16.4	-62	-61.6	-0.4	2	5.5	18.0
2449.45	16.4	-62	-61.9	-0.1	2	6.9	18.3
2449.50	16.4	-62	-62.4	0.4	2	7.2	18.8
2449.55	16.4	-62	-62.6	0.6	2	7.6	19.0
2449.60	16.4	-62	-62.6	0.6	2	6.1	19.0
2449.65	16.4	-62	-62.6	0.6	2	5.3	19.0
2449.70	16.4	-62	-62.8	0.8	2	6.8	19.2
2449.75	16.4	-62	-62.7	0.7	2	7.8	19.1
2449.80	16.4	-62	-62.8	0.8	2	6.4	19.2
2449.85	16.4	-62	-62.9	0.9	2	6.2	19.3

**W-LINK WLAN PC Card radio Jamming Margin Test**

2449.90	16.4	-62	-62.9	0.9	2	6.6	19.3
2449.95	16.4	-62	-62.9	0.9	2	5.3	19.3
2450.00	16.4	-62	-62.9	0.9	2	6.4	19.3
2450.05	16.4	-62	-62.6	0.6	2	4.8	19.0
2450.10	16.4	-62	-62.5	0.5	2	6.5	18.9
2450.15	16.4	-62	-62.4	0.4	2	4.5	18.8
2450.20	16.4	-62	-62.3	0.3	2	5.0	18.7
2450.25	16.4	-62	-62.4	0.4	2	5.7	18.8
2450.30	16.4	-62	-62.5	0.5	2	7.9	18.9
2450.35	16.4	-62	-62.7	0.7	2	6.3	19.1
2450.40	16.4	-62	-62.9	0.9	2	6.7	19.3
2450.45	16.4	-62	-63.1	1.1	2	5.1	19.5
2450.50	16.4	-62	-63.5	1.5	2	5.0	19.9

**Processing Gain(dB)@20th Percentile=11.5**



**W-LINK WLAN PC Card radio Jamming Margin Test**

<b>11Mbps Channel 11 (2462MHz) Processing Gain</b>							
<b><math>G_p = (S/N)_o + L_{sys} + (J_r/S_r)</math></b>							
<b>Frequency</b>	<b>(S/N)<sub>o</sub></b>	<b>S<sub>r</sub></b>	<b>J<sub>r</sub></b>	<b>J<sub>r</sub>/S<sub>r</sub></b>	<b>L<sub>sys</sub></b>	<b>FER</b>	<b>G<sub>p</sub></b>
<b>(MHz)</b>	<b>(dB)</b>	<b>(dBm)</b>	<b>(dBm)</b>	<b>(dB)</b>	<b>(dB)</b>	<b>(%)</b>	<b>(dB)</b>
2453.50	16.4	-62	-62.7	0.7	2	7.4	19.1
2453.55	16.4	-62	-62.2	0.2	2	7.2	18.6
2453.60	16.4	-62	-62.0	0.0	2	6.1	18.4
2453.65	16.4	-62	-61.7	-0.3	2	6.8	18.1
2453.70	16.4	-62	-61.6	-0.4	2	6.0	18.0
2453.75	16.4	-62	-61.6	-0.4	2	4.7	18.0
2453.80	16.4	-62	-61.6	-0.4	2	7.1	18.0
2453.85	16.4	-62	-61.7	-0.3	2	5.6	18.1
2453.90	16.4	-62	-61.7	-0.3	2	7.3	18.1
2453.95	16.4	-62	-62.0	0.0	2	6.9	18.4
2454.00	16.4	-62	-62.3	0.3	2	7.3	18.7
2454.05	16.4	-62	-62.3	0.3	2	6.0	18.7
2454.10	16.4	-62	-62.2	0.2	2	5.8	18.6
2454.15	16.4	-62	-62.2	0.2	2	7.3	18.6
2454.20	16.4	-62	-62.2	0.2	2	6.3	18.6
2454.25	16.4	-62	-62.0	0.0	2	5.9	18.4
2454.30	16.4	-62	-62.1	0.1	2	4.9	18.5
2454.35	16.4	-62	-62.0	0.0	2	7.6	18.4
2454.40	16.4	-62	-62.0	0.0	2	5.9	18.4
2454.45	16.4	-62	-61.8	-0.2	2	6.3	18.2
2454.50	16.4	-62	-61.7	-0.3	2	6.9	18.1
2454.55	16.4	-62	-61.4	-0.6	2	5.8	17.8
2454.60	16.4	-62	-61.1	-0.9	2	5.5	17.5
2454.65	16.4	-62	-60.8	-1.2	2	7.5	17.2
2454.70	16.4	-62	-60.8	-1.2	2	5.8	17.2
2454.75	16.4	-62	-60.8	-1.2	2	5.8	17.2
2454.80	16.4	-62	-60.9	-1.1	2	5.9	17.3
2454.85	16.4	-62	-60.9	-1.1	2	5.6	17.3
2454.90	16.4	-62	-60.9	-1.1	2	5.0	17.3
2454.95	16.4	-62	-61.1	-0.9	2	7.2	17.5
2455.00	16.4	-62	-61.3	-0.7	2	6.7	17.7
2455.05	16.4	-62	-61.3	-0.7	2	6.2	17.7

**W-LINK WLAN PC Card radio Jamming Margin Test**

---

2455.10	16.4	-62	-61.3	-0.7	2	6.1	17.7
2455.15	16.4	-62	-61.2	-0.8	2	5.5	17.6
2455.20	16.4	-62	-61.2	-0.8	2	6.2	17.6
2455.25	16.4	-62	-61.2	-0.8	2	6.9	17.6
2455.30	16.4	-62	-61.0	-1.0	2	6.2	17.4
2455.35	16.4	-62	-61.1	-0.9	2	7.0	17.5
2455.40	16.4	-62	-61.0	-1.0	2	7.3	17.4
2455.45	16.4	-62	-60.9	-1.1	2	4.7	17.3
2455.50	16.4	-62	-60.8	-1.2	2	6.6	17.2
2455.55	16.4	-62	-60.3	-1.7	2	6.6	16.7
2455.60	16.4	-62	-60.1	-1.9	2	5.3	16.5
2455.65	16.4	-62	-59.9	-2.1	2	6.9	16.3
2455.70	16.4	-62	-59.7	-2.3	2	6.0	16.1
2455.75	16.4	-62	-59.7	-2.3	2	5.4	16.1
2455.80	16.4	-62	-59.5	-2.5	2	5.0	15.9
2455.85	16.4	-62	-59.5	-2.5	2	5.1	15.9
2455.90	16.4	-62	-59.4	-2.6	2	5.0	15.8
2455.95	16.4	-62	-59.6	-2.4	2	7.7	16.0
2456.00	16.4	-62	-59.6	-2.4	2	6.6	16.0
2456.05	16.4	-62	-59.6	-2.4	2	5.2	16.0
2456.10	16.4	-62	-59.5	-2.5	2	6.4	15.9
2456.15	16.4	-62	-59.5	-2.5	2	4.5	15.9
2456.20	16.4	-62	-59.4	-2.6	2	4.8	15.8
2456.25	16.4	-62	-59.2	-2.8	2	7.1	15.6
2456.30	16.4	-62	-59.0	-3.0	2	6.8	15.4
2456.35	16.4	-62	-58.8	-3.2	2	4.6	15.2
2456.40	16.4	-62	-58.7	-3.3	2	6.1	15.1
2456.45	16.4	-62	-58.5	-3.5	2	6.2	14.9
2456.50	16.4	-62	-58.5	-3.5	2	6.0	14.9
2456.55	16.4	-62	-58.2	-3.8	2	5.0	14.6
2456.60	16.4	-62	-58.3	-3.7	2	6.8	14.7
2456.65	16.4	-62	-58.2	-3.8	2	7.3	14.6
2456.70	16.4	-62	-58.2	-3.8	2	6.8	14.6
2456.75	16.4	-62	-58.2	-3.8	2	6.6	14.6
2456.80	16.4	-62	-58.1	-3.9	2	7.1	14.5
2456.85	16.4	-62	-58.1	-3.9	2	6.5	14.5
2456.90	16.4	-62	-57.9	-4.1	2	7.3	14.3

**W-LINK WLAN PC Card radio Jamming Margin Test**

---

2456.95	16.4	-62	-57.8	-4.2	2	5.9	14.2
2457.00	16.4	-62	-57.7	-4.3	2	4.7	14.1
2457.05	16.4	-62	-57.6	-4.4	2	7.1	14.0
2457.10	16.4	-62	-57.5	-4.5	2	7.2	13.9
2457.15	16.4	-62	-57.4	-4.6	2	4.9	13.8
2457.20	16.4	-62	-57.1	-4.9	2	6.9	13.5
2457.25	16.4	-62	-57.1	-4.9	2	5.2	13.5
2457.30	16.4	-62	-57.0	-5.0	2	6.5	13.4
2457.35	16.4	-62	-57.1	-4.9	2	8.0	13.5
2457.40	16.4	-62	-57.1	-4.9	2	7.3	13.5
2457.45	16.4	-62	-57.1	-4.9	2	4.8	13.5
2457.50	16.4	-62	-57.0	-5.0	2	5.1	13.4
2457.55	16.4	-62	-56.8	-5.2	2	4.5	13.2
2457.60	16.4	-62	-56.7	-5.3	2	5.4	13.1
2457.65	16.4	-62	-56.6	-5.4	2	4.6	13.0
2457.70	16.4	-62	-56.4	-5.6	2	5.4	12.8
2457.75	16.4	-62	-56.4	-5.6	2	5.7	12.8
2457.80	16.4	-62	-56.3	-5.7	2	7.7	12.7
2457.85	16.4	-62	-56.2	-5.8	2	6.8	12.6
2457.90	16.4	-62	-56.2	-5.8	2	4.6	12.6
2457.95	16.4	-62	-56.2	-5.8	2	6.7	12.6
2458.00	16.4	-62	-56.2	-5.8	2	5.7	12.6
2458.05	16.4	-62	-56.1	-5.9	2	6.8	12.5
2458.10	16.4	-62	-56.2	-5.8	2	7.0	12.6
2458.15	16.4	-62	-56.2	-5.8	2	7.0	12.6
2458.20	16.4	-62	-56.2	-5.8	2	6.7	12.6
2458.25	16.4	-62	-56.1	-5.9	2	6.1	12.5
2458.30	16.4	-62	-55.9	-6.1	2	6.3	12.3
2458.35	16.4	-62	-55.9	-6.1	2	5.0	12.3
2458.40	16.4	-62	-55.8	-6.2	2	5.4	12.2
2458.45	16.4	-62	-55.7	-6.3	2	7.0	12.1
2458.50	16.4	-62	-55.5	-6.5	2	6.4	11.9
2458.55	16.4	-62	-55.6	-6.4	2	4.6	12.0
2458.60	16.4	-62	-55.5	-6.5	2	7.4	11.9
2458.65	16.4	-62	-55.5	-6.5	2	6.5	11.9
2458.70	16.4	-62	-55.5	-6.5	2	4.7	11.9
2458.75	16.4	-62	-55.5	-6.5	2	4.6	11.9

**W-LINK WLAN PC Card radio Jamming Margin Test**

---

2458.80	16.4	-62	-55.7	-6.3	2	8.0	12.1
2458.85	16.4	-62	-55.5	-6.5	2	6.1	11.9
2458.90	16.4	-62	-55.4	-6.6	2	4.5	11.8
2458.95	16.4	-62	-55.4	-6.6	2	7.4	11.8
2459.00	16.4	-62	-55.3	-6.7	2	4.8	11.7
2459.05	16.4	-62	-55.1	-6.9	2	6.5	11.5
2459.10	16.4	-62	-55.0	-7.0	2	6.0	11.4
2459.15	16.4	-62	-55.0	-7.0	2	6.6	11.4
2459.20	16.4	-62	-54.8	-7.2	2	5.9	11.2
2459.25	16.4	-62	-54.9	-7.1	2	5.4	11.3
2459.30	16.4	-62	-54.8	-7.2	2	5.9	11.2
2459.35	16.4	-62	-54.8	-7.2	2	5.2	11.2
2459.40	16.4	-62	-54.8	-7.2	2	7.0	11.2
2459.45	16.4	-62	-54.9	-7.1	2	6.0	11.3
2459.50	16.4	-62	-54.8	-7.2	2	6.9	11.2
2459.55	16.4	-62	-55.0	-7.0	2	5.3	11.4
2459.60	16.4	-62	-54.9	-7.1	2	5.4	11.3
2459.65	16.4	-62	-54.9	-7.1	2	7.6	11.3
2459.70	16.4	-62	-54.8	-7.2	2	7.0	11.2
2459.75	16.4	-62	-54.7	-7.3	2	5.3	11.1
2459.80	16.4	-62	-54.7	-7.3	2	5.3	11.1
2459.85	16.4	-62	-54.5	-7.5	2	7.4	10.9
2459.90	16.4	-62	-54.5	-7.5	2	6.9	10.9
2459.95	16.4	-62	-54.5	-7.5	2	6.6	10.9
2460.00	16.4	-62	-54.5	-7.5	2	5.3	10.9
2460.05	16.4	-62	-54.5	-7.5	2	6.1	10.9
2460.10	16.4	-62	-54.5	-7.5	2	6.3	10.9
2460.15	16.4	-62	-54.6	-7.4	2	7.8	11.0
2460.20	16.4	-62	-54.7	-7.3	2	7.4	11.1
2460.25	16.4	-62	-54.8	-7.2	2	7.8	11.2
2460.30	16.4	-62	-54.8	-7.2	2	6.0	11.2
2460.35	16.4	-62	-54.7	-7.3	2	6.5	11.1
2460.40	16.4	-62	-54.7	-7.3	2	6.2	11.1
2460.45	16.4	-62	-54.6	-7.4	2	6.0	11.0
2460.50	16.4	-62	-54.7	-7.3	2	4.7	11.1
2460.55	16.4	-62	-54.5	-7.5	2	4.7	10.9
2460.60	16.4	-62	-54.6	-7.4	2	7.2	11.0

**W-LINK WLAN PC Card radio Jamming Margin Test**

---

2460.65	16.4	-62	-54.7	-7.3	2	5.1	11.1
2460.70	16.4	-62	-54.6	-7.4	2	6.9	11.0
2460.75	16.4	-62	-54.7	-7.3	2	5.9	11.1
2460.80	16.4	-62	-54.7	-7.3	2	4.7	11.1
2460.85	16.4	-62	-55.0	-7.0	2	6.8	11.4
2460.90	16.4	-62	-55.0	-7.0	2	4.5	11.4
2460.95	16.4	-62	-55.1	-6.9	2	6.7	11.5
2461.00	16.4	-62	-55.1	-6.9	2	6.4	11.5
2461.05	16.4	-62	-55.1	-6.9	2	7.3	11.5
2461.10	16.4	-62	-55.1	-6.9	2	7.2	11.5
2461.15	16.4	-62	-55.2	-6.8	2	5.3	11.6
2461.20	16.4	-62	-55.3	-6.7	2	6.9	11.7
2461.25	16.4	-62	-55.2	-6.8	2	7.2	11.6
2461.30	16.4	-62	-55.3	-6.7	2	7.2	11.7
2461.35	16.4	-62	-55.3	-6.7	2	7.5	11.7
2461.40	16.4	-62	-55.2	-6.8	2	5.1	11.6
2461.45	16.4	-62	-55.2	-6.8	2	5.7	11.6
2461.50	16.4	-62	-55.4	-6.6	2	5.4	11.8
2461.55	16.4	-62	-55.3	-6.7	2	5.3	11.7
2461.60	16.4	-62	-55.5	-6.5	2	5.1	11.9
2461.65	16.4	-62	-55.5	-6.5	2	6.6	11.9
2461.70	16.4	-62	-55.5	-6.5	2	7.8	11.9
2461.75	16.4	-62	-55.4	-6.6	2	5.7	11.8
2461.80	16.4	-62	-55.4	-6.6	2	6.5	11.8
2461.85	16.4	-62	-55.2	-6.8	2	5.2	11.6
2461.90	16.4	-62	-55.1	-6.9	2	6.9	11.5
2461.95	16.4	-62	-55.2	-6.8	2	6.5	11.6
2462.00	16.4	-62	-55.0	-7.0	2	4.8	11.4
2462.05	16.4	-62	-55.1	-6.9	2	5.8	11.5
2462.10	16.4	-62	-55.2	-6.8	2	7.4	11.6
2462.15	16.4	-62	-55.4	-6.6	2	7.0	11.8
2462.20	16.4	-62	-55.4	-6.6	2	6.4	11.8
2462.25	16.4	-62	-55.5	-6.5	2	6.9	11.9
2462.30	16.4	-62	-55.6	-6.4	2	7.1	12.0
2462.35	16.4	-62	-55.6	-6.4	2	6.1	12.0
2462.40	16.4	-62	-55.5	-6.5	2	7.8	11.9
2462.45	16.4	-62	-55.4	-6.6	2	4.8	11.8

**W-LINK WLAN PC Card radio Jamming Margin Test**

---

2462.50	16.4	-62	-55.4	-6.6	2	5.9	11.8
2462.55	16.4	-62	-55.5	-6.5	2	6.1	11.9
2462.60	16.4	-62	-55.4	-6.6	2	7.6	11.8
2462.65	16.4	-62	-55.5	-6.5	2	7.5	11.9
2462.70	16.4	-62	-55.3	-6.7	2	6.0	11.7
2462.75	16.4	-62	-55.4	-6.6	2	7.3	11.8
2462.80	16.4	-62	-55.5	-6.5	2	6.4	11.9
2462.85	16.4	-62	-55.4	-6.6	2	5.2	11.8
2462.90	16.4	-62	-55.4	-6.6	2	7.6	11.8
2462.95	16.4	-62	-55.4	-6.6	2	7.6	11.8
2463.00	16.4	-62	-55.3	-6.7	2	7.9	11.7
2463.05	16.4	-62	-55.2	-6.8	2	6.9	11.6
2463.10	16.4	-62	-55.2	-6.8	2	5.7	11.6
2463.15	16.4	-62	-55.1	-6.9	2	7.7	11.5
2463.20	16.4	-62	-55.1	-6.9	2	4.5	11.5
2463.25	16.4	-62	-55.0	-7.0	2	6.8	11.4
2463.30	16.4	-62	-55.0	-7.0	2	7.2	11.4
2463.35	16.4	-62	-54.8	-7.2	2	6.7	11.2
2463.40	16.4	-62	-55.0	-7.0	2	7.9	11.4
2463.45	16.4	-62	-55.0	-7.0	2	5.9	11.4
2463.50	16.4	-62	-55.0	-7.0	2	6.4	11.4
2463.55	16.4	-62	-55.1	-6.9	2	8.0	11.5
2463.60	16.4	-62	-55.2	-6.8	2	5.8	11.6
2463.65	16.4	-62	-55.1	-6.9	2	6.1	11.5
2463.70	16.4	-62	-55.2	-6.8	2	6.4	11.6
2463.75	16.4	-62	-55.3	-6.7	2	6.2	11.7
2463.80	16.4	-62	-55.1	-6.9	2	5.2	11.5
2463.85	16.4	-62	-55.1	-6.9	2	5.5	11.5
2463.90	16.4	-62	-55.1	-6.9	2	5.3	11.5
2463.95	16.4	-62	-54.9	-7.1	2	5.0	11.3
2464.00	16.4	-62	-55.0	-7.0	2	4.6	11.4
2464.05	16.4	-62	-55.0	-7.0	2	5.3	11.4
2464.10	16.4	-62	-54.9	-7.1	2	7.0	11.3
2464.15	16.4	-62	-54.9	-7.1	2	6.7	11.3
2464.20	16.4	-62	-55.1	-6.9	2	7.9	11.5
2464.25	16.4	-62	-55.1	-6.9	2	6.5	11.5
2464.30	16.4	-62	-55.2	-6.8	2	6.2	11.6



**W-LINK WLAN PC Card radio Jamming Margin Test**

---

2464.35	16.4	-62	-55.4	-6.6	2	6.1	11.8
2464.40	16.4	-62	-55.3	-6.7	2	5.1	11.7
2464.45	16.4	-62	-55.4	-6.6	2	6.9	11.8
2464.50	16.4	-62	-55.4	-6.6	2	6.0	11.8
2464.55	16.4	-62	-55.3	-6.7	2	4.5	11.7
2464.60	16.4	-62	-55.2	-6.8	2	8.0	11.6
2464.65	16.4	-62	-55.1	-6.9	2	7.2	11.5
2464.70	16.4	-62	-55.3	-6.7	2	4.8	11.7
2464.75	16.4	-62	-55.2	-6.8	2	5.2	11.6
2464.80	16.4	-62	-55.4	-6.6	2	5.2	11.8
2464.85	16.4	-62	-55.5	-6.5	2	4.8	11.9
2464.90	16.4	-62	-55.4	-6.6	2	4.8	11.8
2464.95	16.4	-62	-55.7	-6.3	2	6.7	12.1
2465.00	16.4	-62	-55.7	-6.3	2	6.9	12.1
2465.05	16.4	-62	-55.9	-6.1	2	5.3	12.3
2465.10	16.4	-62	-55.9	-6.1	2	6.3	12.3
2465.15	16.4	-62	-55.9	-6.1	2	4.7	12.3
2465.20	16.4	-62	-55.9	-6.1	2	6.3	12.3
2465.25	16.4	-62	-55.9	-6.1	2	8.0	12.3
2465.30	16.4	-62	-55.9	-6.1	2	4.9	12.3
2465.35	16.4	-62	-55.8	-6.2	2	6.0	12.2
2465.40	16.4	-62	-55.8	-6.2	2	6.5	12.2
2465.45	16.4	-62	-55.9	-6.1	2	5.9	12.3
2465.50	16.4	-62	-55.8	-6.2	2	5.8	12.2
2465.55	16.4	-62	-56.1	-5.9	2	5.9	12.5
2465.60	16.4	-62	-56.0	-6.0	2	5.4	12.4
2465.65	16.4	-62	-56.2	-5.8	2	6.2	12.6
2465.70	16.4	-62	-56.3	-5.7	2	6.9	12.7
2465.75	16.4	-62	-56.5	-5.5	2	7.1	12.9
2465.80	16.4	-62	-56.4	-5.6	2	6.6	12.8
2465.85	16.4	-62	-56.5	-5.5	2	6.3	12.9
2465.90	16.4	-62	-56.5	-5.5	2	6.2	12.9
2465.95	16.4	-62	-56.5	-5.5	2	7.3	12.9
2466.00	16.4	-62	-56.5	-5.5	2	6.5	12.9
2466.05	16.4	-62	-56.6	-5.4	2	5.9	13.0
2466.10	16.4	-62	-56.6	-5.4	2	4.6	13.0
2466.15	16.4	-62	-56.7	-5.3	2	4.7	13.1

**W-LINK WLAN PC Card radio Jamming Margin Test**

---

2466.20	16.4	-62	-56.8	-5.2	2	5.3	13.2
2466.25	16.4	-62	-56.9	-5.1	2	7.5	13.3
2466.30	16.4	-62	-57.0	-5.0	2	4.7	13.4
2466.35	16.4	-62	-57.1	-4.9	2	6.6	13.5
2466.40	16.4	-62	-57.4	-4.6	2	8.0	13.8
2466.45	16.4	-62	-57.4	-4.6	2	6.6	13.8
2466.50	16.4	-62	-57.5	-4.5	2	6.2	13.9
2466.55	16.4	-62	-57.5	-4.5	2	6.4	13.9
2466.60	16.4	-62	-57.5	-4.5	2	7.3	13.9
2466.65	16.4	-62	-57.5	-4.5	2	6.2	13.9
2466.70	16.4	-62	-57.6	-4.4	2	6.9	14.0
2466.75	16.4	-62	-57.6	-4.4	2	7.4	14.0
2466.80	16.4	-62	-57.7	-4.3	2	6.5	14.1
2466.85	16.4	-62	-57.7	-4.3	2	4.8	14.1
2466.90	16.4	-62	-57.8	-4.2	2	4.6	14.2
2466.95	16.4	-62	-58.1	-3.9	2	6.7	14.5
2467.00	16.4	-62	-58.2	-3.8	2	6.9	14.6
2467.05	16.4	-62	-58.2	-3.8	2	5.1	14.6
2467.10	16.4	-62	-58.4	-3.6	2	7.2	14.8
2467.15	16.4	-62	-58.7	-3.3	2	7.8	15.1
2467.20	16.4	-62	-58.8	-3.2	2	7.7	15.2
2467.25	16.4	-62	-58.9	-3.1	2	7.0	15.3
2467.30	16.4	-62	-58.8	-3.2	2	7.2	15.2
2467.35	16.4	-62	-58.8	-3.2	2	5.0	15.2
2467.40	16.4	-62	-59.0	-3.0	2	4.6	15.4
2467.45	16.4	-62	-59.1	-2.9	2	6.9	15.5
2467.50	16.4	-62	-59.3	-2.7	2	7.5	15.7
2467.55	16.4	-62	-59.3	-2.7	2	4.7	15.7
2467.60	16.4	-62	-59.5	-2.5	2	6.3	15.9
2467.65	16.4	-62	-59.7	-2.3	2	5.1	16.1
2467.70	16.4	-62	-60.0	-2.0	2	4.6	16.4
2467.75	16.4	-62	-60.3	-1.7	2	4.8	16.7
2467.80	16.4	-62	-60.5	-1.5	2	5.1	16.9
2467.85	16.4	-62	-60.6	-1.4	2	5.4	17.0
2467.90	16.4	-62	-60.7	-1.3	2	7.4	17.1
2467.95	16.4	-62	-60.7	-1.3	2	5.0	17.1
2468.00	16.4	-62	-60.9	-1.1	2	7.2	17.3

**W-LINK WLAN PC Card radio Jamming Margin Test**

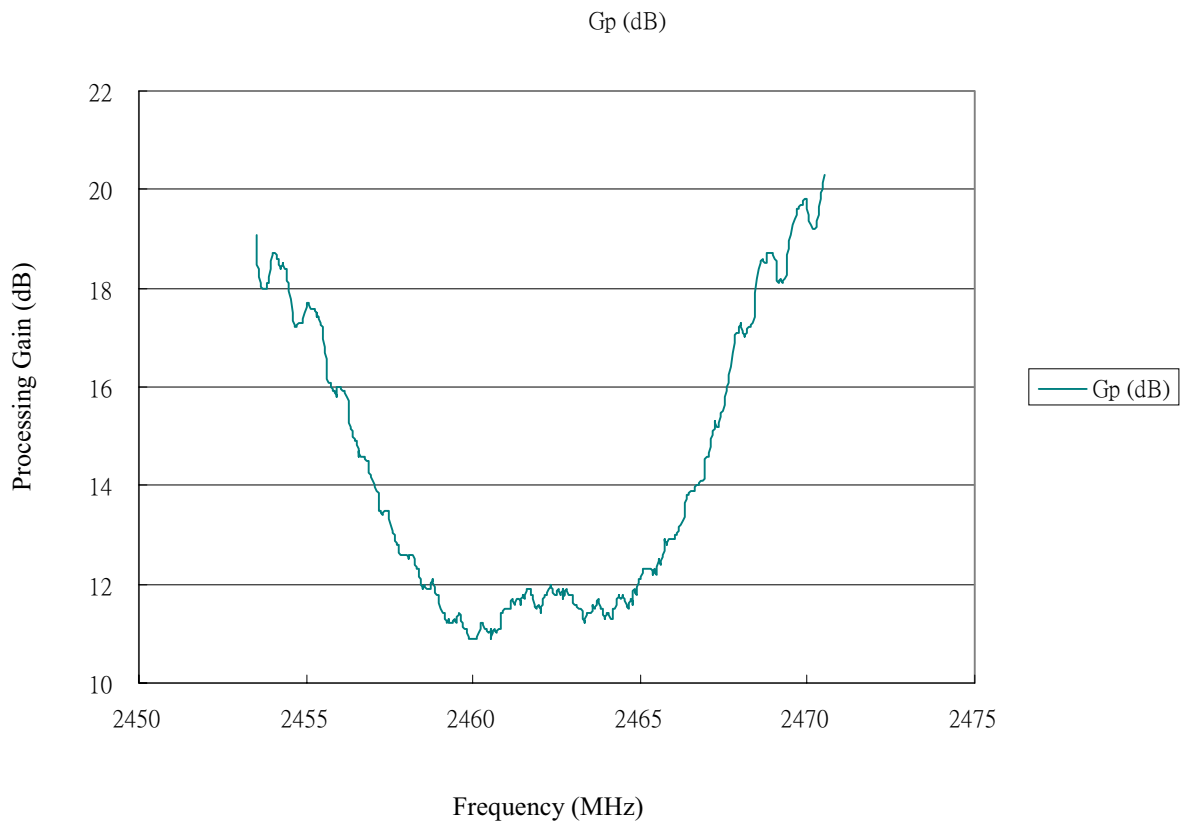
---

2468.05	16.4	-62	-60.7	-1.3	2	6.9	17.1
2468.10	16.4	-62	-60.6	-1.4	2	5.8	17.0
2468.15	16.4	-62	-60.6	-1.4	2	5.8	17.0
2468.20	16.4	-62	-60.7	-1.3	2	5.7	17.1
2468.25	16.4	-62	-60.8	-1.2	2	4.9	17.2
2468.30	16.4	-62	-60.8	-1.2	2	7.2	17.2
2468.35	16.4	-62	-60.9	-1.1	2	6.1	17.3
2468.40	16.4	-62	-61.2	-0.8	2	7.1	17.6
2468.45	16.4	-62	-61.5	-0.5	2	5.9	17.9
2468.50	16.4	-62	-61.8	-0.2	2	7.4	18.2
2468.55	16.4	-62	-62.0	0.0	2	4.7	18.4
2468.60	16.4	-62	-62.1	0.1	2	5.4	18.5
2468.65	16.4	-62	-62.2	0.2	2	6.8	18.6
2468.70	16.4	-62	-62.1	0.1	2	5.8	18.5
2468.75	16.4	-62	-62.1	0.1	2	4.9	18.5
2468.80	16.4	-62	-62.3	0.3	2	5.3	18.7
2468.85	16.4	-62	-62.3	0.3	2	7.3	18.7
2468.90	16.4	-62	-62.3	0.3	2	5.0	18.7
2468.95	16.4	-62	-62.3	0.3	2	6.5	18.7
2469.00	16.4	-62	-62.2	0.2	2	5.9	18.6
2469.05	16.4	-62	-62.1	0.1	2	6.3	18.5
2469.10	16.4	-62	-61.8	-0.2	2	5.9	18.2
2469.15	16.4	-62	-61.7	-0.3	2	6.3	18.1
2469.20	16.4	-62	-61.8	-0.2	2	5.8	18.2
2469.25	16.4	-62	-61.7	-0.3	2	6.0	18.1
2469.30	16.4	-62	-61.8	-0.2	2	7.3	18.2
2469.35	16.4	-62	-62.0	0.0	2	6.6	18.4
2469.40	16.4	-62	-62.2	0.2	2	4.7	18.6
2469.45	16.4	-62	-62.4	0.4	2	7.6	18.8
2469.50	16.4	-62	-62.7	0.7	2	4.7	19.1
2469.55	16.4	-62	-62.9	0.9	2	7.6	19.3
2469.60	16.4	-62	-63.0	1.0	2	4.6	19.4
2469.65	16.4	-62	-63.1	1.1	2	5.4	19.5
2469.70	16.4	-62	-63.2	1.2	2	6.7	19.6
2469.75	16.4	-62	-63.2	1.2	2	6.9	19.6
2469.80	16.4	-62	-63.3	1.3	2	5.8	19.7
2469.85	16.4	-62	-63.3	1.3	2	5.2	19.7

**W-LINK WLAN PC Card radio Jamming Margin Test**

2469.90	16.4	-62	-63.4	1.4	2	6.3	19.8
2469.95	16.4	-62	-63.4	1.4	2	7.7	19.8
2470.00	16.4	-62	-63.3	1.3	2	4.8	19.7
2470.05	16.4	-62	-63.1	1.1	2	5.2	19.5
2470.10	16.4	-62	-62.9	0.9	2	4.8	19.3
2470.15	16.4	-62	-62.8	0.8	2	6.3	19.2
2470.20	16.4	-62	-62.8	0.8	2	6.9	19.2
2470.25	16.4	-62	-62.9	0.9	2	7.0	19.3
2470.30	16.4	-62	-62.9	0.9	2	4.9	19.3
2470.35	16.4	-62	-63.1	1.1	2	4.8	19.5
2470.40	16.4	-62	-63.4	1.4	2	7.2	19.8
2470.45	16.4	-62	-63.6	1.6	2	7.1	20.0
2470.50	16.4	-62	-63.9	1.9	2	7.2	20.3

**Processing Gain(dB)@20th Percentile=11.6**



2Mbps Channel 7 (2442MHz) Processing Gain							
$G_p=(S/N)_o+L_{sys}+(J_r/S_r)$							
Frequency (MHz)	(S/N) <sub>o</sub> (dB)	S <sub>r</sub> (dBm)	J <sub>r</sub> (dBm)	J <sub>r</sub> /S <sub>r</sub> (dB)	L <sub>sys</sub> (dB)	FER (%)	G <sub>p</sub> (dB)
2433.50	13.3	-62	-62.8	0.8	2	7.7	16.1
2433.55	13.3	-62	-62.5	0.5	2	5.7	15.8
2433.60	13.3	-62	-62.2	0.2	2	4.7	15.5
2433.65	13.3	-62	-62.0	0.0	2	4.7	15.3
2433.70	13.3	-62	-61.8	-0.2	2	4.8	15.1
2433.75	13.3	-62	-61.8	-0.2	2	4.8	15.1
2433.80	13.3	-62	-61.8	-0.2	2	4.9	15.1
2433.85	13.3	-62	-61.9	-0.1	2	7.3	15.2
2433.90	13.3	-62	-62.0	0.0	2	7.7	15.3
2433.95	13.3	-62	-62.3	0.3	2	5.4	15.6
2434.00	13.3	-62	-62.4	0.4	2	7.7	15.7
2434.05	13.3	-62	-62.4	0.4	2	4.6	15.7
2434.10	13.3	-62	-62.4	0.4	2	7.3	15.7
2434.15	13.3	-62	-62.4	0.4	2	7.1	15.7
2434.20	13.3	-62	-62.4	0.4	2	5.0	15.7
2434.25	13.3	-62	-62.3	0.3	2	4.6	15.6
2434.30	13.3	-62	-62.2	0.2	2	5.1	15.5
2434.35	13.3	-62	-62.2	0.2	2	7.3	15.5
2434.40	13.3	-62	-62.2	0.2	2	5.5	15.5
2434.45	13.3	-62	-62.0	0.0	2	7.2	15.3
2434.50	13.3	-62	-61.7	-0.3	2	6.1	15.0
2434.55	13.3	-62	-61.5	-0.5	2	6.2	14.8
2434.60	13.3	-62	-61.3	-0.7	2	6.7	14.6
2434.65	13.3	-62	-61.0	-1.0	2	6.9	14.3
2434.70	13.3	-62	-61.0	-1.0	2	6.9	14.3
2434.75	13.3	-62	-60.9	-1.1	2	5.0	14.2
2434.80	13.3	-62	-60.9	-1.1	2	8.0	14.2
2434.85	13.3	-62	-61.0	-1.0	2	5.2	14.3
2434.90	13.3	-62	-60.9	-1.1	2	4.8	14.2
2434.95	13.3	-62	-61.1	-0.9	2	6.2	14.4
2435.00	13.3	-62	-61.3	-0.7	2	7.9	14.6
2435.05	13.3	-62	-61.5	-0.5	2	5.0	14.8
2435.10	13.3	-62	-61.3	-0.7	2	6.9	14.6

**W-LINK WLAN PC Card radio Jamming Margin Test**

---

2435.15	13.3	-62	-61.4	-0.6	2	7.0	14.7
2435.20	13.3	-62	-61.2	-0.8	2	5.4	14.5
2435.25	13.3	-62	-61.3	-0.7	2	6.3	14.6
2435.30	13.3	-62	-61.2	-0.8	2	6.5	14.5
2435.35	13.3	-62	-61.2	-0.8	2	5.7	14.5
2435.40	13.3	-62	-61.2	-0.8	2	6.1	14.5
2435.45	13.3	-62	-61.0	-1.0	2	5.5	14.3
2435.50	13.3	-62	-60.7	-1.3	2	5.6	14.0
2435.55	13.3	-62	-60.4	-1.6	2	4.6	13.7
2435.60	13.3	-62	-60.0	-2.0	2	5.0	13.3
2435.65	13.3	-62	-59.9	-2.1	2	6.1	13.2
2435.70	13.3	-62	-59.8	-2.2	2	5.2	13.1
2435.75	13.3	-62	-59.7	-2.3	2	5.8	13.0
2435.80	13.3	-62	-59.6	-2.4	2	7.4	12.9
2435.85	13.3	-62	-59.5	-2.5	2	4.6	12.8
2435.90	13.3	-62	-59.7	-2.3	2	6.0	13.0
2435.95	13.3	-62	-59.8	-2.2	2	4.7	13.1
2436.00	13.3	-62	-60.3	-1.7	2	5.8	13.6
2436.05	13.3	-62	-60.4	-1.6	2	5.2	13.7
2436.10	13.3	-62	-60.5	-1.5	2	5.7	13.8
2436.15	13.3	-62	-61.4	-0.6	2	6.0	14.7
2436.20	13.3	-62	-61.4	-0.6	2	7.8	14.7
2436.25	13.3	-62	-62.8	0.8	2	5.6	16.1
2436.30	13.3	-62	-62.8	0.8	2	6.7	16.1
2436.35	13.3	-62	-64.3	2.3	2	4.8	17.6
2436.40	13.3	-62	-63.8	1.8	2	4.6	17.1
2436.45	13.3	-62	-63.7	1.7	2	7.0	17.0
2436.50	13.3	-62	-64.3	2.3	2	5.0	17.6
2436.55	13.3	-62	-63.6	1.6	2	5.9	16.9
2436.60	13.3	-62	-63.8	1.8	2	4.6	17.1
2436.65	13.3	-62	-64.2	2.2	2	6.9	17.5
2436.70	13.3	-62	-62.7	0.7	2	5.6	16.0
2436.75	13.3	-62	-62.1	0.1	2	5.8	15.4
2436.80	13.3	-62	-61.5	-0.5	2	6.1	14.8
2436.85	13.3	-62	-60.9	-1.1	2	6.6	14.2
2436.90	13.3	-62	-60.3	-1.7	2	6.8	13.6
2436.95	13.3	-62	-60.0	-2.0	2	7.0	13.3

**W-LINK WLAN PC Card radio Jamming Margin Test**

---

2437.00	13.3	-62	-60.0	-2.0	2	6.1	13.3
2437.05	13.3	-62	-59.5	-2.5	2	6.5	12.8
2437.10	13.3	-62	-59.4	-2.6	2	7.4	12.7
2437.15	13.3	-62	-59.4	-2.6	2	7.6	12.7
2437.20	13.3	-62	-59.3	-2.7	2	5.7	12.6
2437.25	13.3	-62	-59.2	-2.8	2	7.9	12.5
2437.30	13.3	-62	-59.2	-2.8	2	7.9	12.5
2437.35	13.3	-62	-59.2	-2.8	2	6.9	12.5
2437.40	13.3	-62	-59.3	-2.7	2	4.7	12.6
2437.45	13.3	-62	-59.5	-2.5	2	7.4	12.8
2437.50	13.3	-62	-59.7	-2.3	2	5.3	13.0
2437.55	13.3	-62	-59.7	-2.3	2	5.3	13.0
2437.60	13.3	-62	-59.7	-2.3	2	6.5	13.0
2437.65	13.3	-62	-59.7	-2.3	2	6.7	13.0
2437.70	13.3	-62	-59.8	-2.2	2	5.9	13.1
2437.75	13.3	-62	-59.8	-2.2	2	6.9	13.1
2437.80	13.3	-62	-59.8	-2.2	2	7.7	13.1
2437.85	13.3	-62	-59.8	-2.2	2	7.7	13.1
2437.90	13.3	-62	-59.7	-2.3	2	7.2	13.0
2437.95	13.3	-62	-59.7	-2.3	2	4.6	13.0
2438.00	13.3	-62	-59.7	-2.3	2	5.9	13.0
2438.05	13.3	-62	-59.5	-2.5	2	7.4	12.8
2438.10	13.3	-62	-59.2	-2.8	2	5.0	12.5
2438.15	13.3	-62	-59.2	-2.8	2	7.4	12.5
2438.20	13.3	-62	-59.1	-2.9	2	7.5	12.4
2438.25	13.3	-62	-59.2	-2.8	2	4.6	12.5
2438.30	13.3	-62	-59.1	-2.9	2	7.0	12.4
2438.35	13.3	-62	-59.0	-3.0	2	6.1	12.3
2438.40	13.3	-62	-59.1	-2.9	2	5.2	12.4
2438.45	13.3	-62	-59.2	-2.8	2	5.3	12.5
2438.50	13.3	-62	-59.1	-2.9	2	6.2	12.4
2438.55	13.3	-62	-59.4	-2.6	2	7.0	12.7
2438.60	13.3	-62	-59.5	-2.5	2	7.3	12.8
2438.65	13.3	-62	-59.5	-2.5	2	5.3	12.8
2438.70	13.3	-62	-59.4	-2.6	2	7.3	12.7
2438.75	13.3	-62	-59.5	-2.5	2	7.4	12.8
2438.80	13.3	-62	-59.5	-2.5	2	5.8	12.8

**W-LINK WLAN PC Card radio Jamming Margin Test**

---

2438.85	13.3	-62	-59.3	-2.7	2	6.7	12.6
2438.90	13.3	-62	-59.1	-2.9	2	6.9	12.4
2438.95	13.3	-62	-59.2	-2.8	2	5.7	12.5
2439.00	13.3	-62	-59.4	-2.6	2	6.5	12.7
2439.05	13.3	-62	-59.1	-2.9	2	7.1	12.4
2439.10	13.3	-62	-59.0	-3.0	2	6.2	12.3
2439.15	13.3	-62	-59.1	-2.9	2	5.4	12.4
2439.20	13.3	-62	-58.8	-3.2	2	7.0	12.1
2439.25	13.3	-62	-58.9	-3.1	2	6.3	12.2
2439.30	13.3	-62	-59.0	-3.0	2	4.7	12.3
2439.35	13.3	-62	-58.9	-3.1	2	5.1	12.2
2439.40	13.3	-62	-58.6	-3.4	2	5.3	11.9
2439.45	13.3	-62	-59.1	-2.9	2	5.4	12.4
2439.50	13.3	-62	-58.5	-3.5	2	4.7	11.8
2439.55	13.3	-62	-59.1	-2.9	2	4.9	12.4
2439.60	13.3	-62	-59.4	-2.6	2	7.3	12.7
2439.65	13.3	-62	-59.5	-2.5	2	6.0	12.8
2439.70	13.3	-62	-59.4	-2.6	2	6.4	12.7
2439.75	13.3	-62	-59.4	-2.6	2	7.5	12.7
2439.80	13.3	-62	-59.6	-2.4	2	5.5	12.9
2439.85	13.3	-62	-58.8	-3.2	2	4.6	12.1
2439.90	13.3	-62	-58.5	-3.5	2	4.8	11.8
2439.95	13.3	-62	-59.1	-2.9	2	6.0	12.4
2440.00	13.3	-62	-59.1	-2.9	2	6.0	12.4
2440.05	13.3	-62	-59.0	-3.0	2	6.1	12.3
2440.10	13.3	-62	-58.9	-3.1	2	5.9	12.2
2440.15	13.3	-62	-58.9	-3.1	2	7.2	12.2
2440.20	13.3	-62	-58.6	-3.4	2	4.7	11.9
2440.25	13.3	-62	-58.7	-3.3	2	7.8	12.0
2440.30	13.3	-62	-58.8	-3.2	2	4.7	12.1
2440.35	13.3	-62	-58.4	-3.6	2	5.5	11.7
2440.40	13.3	-62	-58.0	-4.0	2	6.8	11.3
2440.45	13.3	-62	-58.5	-3.5	2	5.4	11.8
2440.50	13.3	-62	-58.0	-4.0	2	7.1	11.3
2440.55	13.3	-62	-58.8	-3.2	2	6.4	12.1
2440.60	13.3	-62	-59.2	-2.8	2	7.2	12.5
2440.65	13.3	-62	-59.4	-2.6	2	7.3	12.7



**W-LINK WLAN PC Card radio Jamming Margin Test**

---

2440.70	13.3	-62	-59.3	-2.7	2	6.7	12.6
2440.75	13.3	-62	-59.2	-2.8	2	5.4	12.5
2440.80	13.3	-62	-59.3	-2.7	2	5.3	12.6
2440.85	13.3	-62	-58.5	-3.5	2	4.7	11.8
2440.90	13.3	-62	-58.1	-3.9	2	4.6	11.4
2440.95	13.3	-62	-58.9	-3.1	2	7.8	12.2
2441.00	13.3	-62	-58.9	-3.1	2	7.8	12.2
2441.05	13.3	-62	-59.0	-3.0	2	6.7	12.3
2441.10	13.3	-62	-58.9	-3.1	2	7.8	12.2
2441.15	13.3	-62	-58.9	-3.1	2	6.9	12.2
2441.20	13.3	-62	-58.5	-3.5	2	6.3	11.8
2441.25	13.3	-62	-58.6	-3.4	2	4.9	11.9
2441.30	13.3	-62	-58.5	-3.5	2	4.8	11.8
2441.35	13.3	-62	-58.0	-4.0	2	8.0	11.3
2441.40	13.3	-62	-57.5	-4.5	2	5.5	10.8
2441.45	13.3	-62	-58.1	-3.9	2	5.7	11.4
2441.50	13.3	-62	-57.6	-4.4	2	8.0	10.9
2441.55	13.3	-62	-59.0	-3.0	2	6.0	12.3
2441.60	13.3	-62	-59.6	-2.4	2	7.1	12.9
2441.65	13.3	-62	-60.1	-1.9	2	5.7	13.4
2441.70	13.3	-62	-60.5	-1.5	2	4.8	13.8
2441.75	13.3	-62	-61.6	-0.4	2	4.7	14.9
2441.80	13.3	-62	-62.1	0.1	2	5.7	15.4
2441.85	13.3	-62	-62.7	0.7	2	7.9	16.0
2441.90	13.3	-62	-62.5	0.5	2	6.3	15.8
2441.95	13.3	-62	-62.7	0.7	2	7.3	16.0
2442.00	13.3	-62	-63.0	1.0	2	8.0	16.3
2442.05	13.3	-62	-62.7	0.7	2	7.8	16.0
2442.10	13.3	-62	-62.8	0.8	2	6.2	16.1
2442.15	13.3	-62	-62.5	0.5	2	6.1	15.8
2442.20	13.3	-62	-61.9	-0.1	2	4.9	15.2
2442.25	13.3	-62	-61.3	-0.7	2	6.1	14.6
2442.30	13.3	-62	-60.4	-1.6	2	7.2	13.7
2442.35	13.3	-62	-60.0	-2.0	2	6.8	13.3
2442.40	13.3	-62	-59.2	-2.8	2	4.5	12.5
2442.45	13.3	-62	-59.1	-2.9	2	4.5	12.4
2442.50	13.3	-62	-58.1	-3.9	2	5.8	11.4

**W-LINK WLAN PC Card radio Jamming Margin Test**

---

2442.55	13.3	-62	-58.6	-3.4	2	6.8	11.9
2442.60	13.3	-62	-58.5	-3.5	2	7.1	11.8
2442.65	13.3	-62	-58.5	-3.5	2	7.4	11.8
2442.70	13.3	-62	-58.5	-3.5	2	7.3	11.8
2442.75	13.3	-62	-58.1	-3.9	2	4.6	11.4
2442.80	13.3	-62	-58.5	-3.5	2	5.7	11.8
2442.85	13.3	-62	-57.5	-4.5	2	4.8	10.8
2442.90	13.3	-62	-57.7	-4.3	2	6.8	11.0
2442.95	13.3	-62	-58.6	-3.4	2	6.6	11.9
2443.00	13.3	-62	-59.0	-3.0	2	7.4	12.3
2443.05	13.3	-62	-59.1	-2.9	2	5.8	12.4
2443.10	13.3	-62	-59.3	-2.7	2	6.0	12.6
2443.15	13.3	-62	-59.3	-2.7	2	5.3	12.6
2443.20	13.3	-62	-59.3	-2.7	2	5.0	12.6
2443.25	13.3	-62	-59.3	-2.7	2	5.5	12.6
2443.30	13.3	-62	-59.2	-2.8	2	5.4	12.5
2443.35	13.3	-62	-59.0	-3.0	2	8.0	12.3
2443.40	13.3	-62	-58.4	-3.6	2	5.0	11.7
2443.45	13.3	-62	-58.9	-3.1	2	6.4	12.2
2443.50	13.3	-62	-58.2	-3.8	2	7.5	11.5
2443.55	13.3	-62	-58.8	-3.2	2	5.6	12.1
2443.60	13.3	-62	-58.7	-3.3	2	5.9	12.0
2443.65	13.3	-62	-58.7	-3.3	2	7.0	12.0
2443.70	13.3	-62	-58.7	-3.3	2	4.8	12.0
2443.75	13.3	-62	-58.5	-3.5	2	5.7	11.8
2443.80	13.3	-62	-58.8	-3.2	2	7.9	12.1
2443.85	13.3	-62	-58.0	-4.0	2	5.7	11.3
2443.90	13.3	-62	-58.0	-4.0	2	6.5	11.3
2443.95	13.3	-62	-58.8	-3.2	2	5.5	12.1
2444.00	13.3	-62	-59.2	-2.8	2	4.5	12.5
2444.05	13.3	-62	-59.2	-2.8	2	7.3	12.5
2444.10	13.3	-62	-59.3	-2.7	2	6.9	12.6
2444.15	13.3	-62	-59.4	-2.6	2	7.5	12.7
2444.20	13.3	-62	-59.2	-2.8	2	4.6	12.5
2444.25	13.3	-62	-59.3	-2.7	2	6.6	12.6
2444.30	13.3	-62	-59.3	-2.7	2	5.6	12.6
2444.35	13.3	-62	-59.0	-3.0	2	5.7	12.3

**W-LINK WLAN PC Card radio Jamming Margin Test**

---

2444.40	13.3	-62	-58.8	-3.2	2	4.5	12.1
2444.45	13.3	-62	-59.0	-3.0	2	4.9	12.3
2444.50	13.3	-62	-58.5	-3.5	2	5.7	11.8
2444.55	13.3	-62	-58.9	-3.1	2	6.5	12.2
2444.60	13.3	-62	-58.8	-3.2	2	7.0	12.1
2444.65	13.3	-62	-58.7	-3.3	2	6.5	12.0
2444.70	13.3	-62	-58.6	-3.4	2	6.7	11.9
2444.75	13.3	-62	-58.5	-3.5	2	7.6	11.8
2444.80	13.3	-62	-58.7	-3.3	2	4.8	12.0
2444.85	13.3	-62	-58.5	-3.5	2	7.3	11.8
2444.90	13.3	-62	-58.4	-3.6	2	5.8	11.7
2444.95	13.3	-62	-58.8	-3.2	2	7.3	12.1
2445.00	13.3	-62	-59.2	-2.8	2	4.7	12.5
2445.05	13.3	-62	-59.1	-2.9	2	6.2	12.4
2445.10	13.3	-62	-59.1	-2.9	2	5.9	12.4
2445.15	13.3	-62	-59.2	-2.8	2	4.7	12.5
2445.20	13.3	-62	-59.1	-2.9	2	4.6	12.4
2445.25	13.3	-62	-59.2	-2.8	2	5.3	12.5
2445.30	13.3	-62	-59.2	-2.8	2	5.8	12.5
2445.35	13.3	-62	-59.3	-2.7	2	6.2	12.6
2445.40	13.3	-62	-59.1	-2.9	2	6.3	12.4
2445.45	13.3	-62	-59.1	-2.9	2	7.3	12.4
2445.50	13.3	-62	-58.9	-3.1	2	5.0	12.2
2445.55	13.3	-62	-59.0	-3.0	2	7.1	12.3
2445.60	13.3	-62	-59.0	-3.0	2	6.6	12.3
2445.65	13.3	-62	-58.9	-3.1	2	5.6	12.2
2445.70	13.3	-62	-58.9	-3.1	2	5.5	12.2
2445.75	13.3	-62	-59.0	-3.0	2	6.9	12.3
2445.80	13.3	-62	-59.1	-2.9	2	6.1	12.4
2445.85	13.3	-62	-59.1	-2.9	2	5.5	12.4
2445.90	13.3	-62	-59.1	-2.9	2	5.3	12.4
2445.95	13.3	-62	-59.3	-2.7	2	6.8	12.6
2446.00	13.3	-62	-59.6	-2.4	2	8.0	12.9
2446.05	13.3	-62	-59.6	-2.4	2	7.0	12.9
2446.10	13.3	-62	-59.6	-2.4	2	6.6	12.9
2446.15	13.3	-62	-59.8	-2.2	2	6.1	13.1
2446.20	13.3	-62	-59.7	-2.3	2	6.9	13.0

**W-LINK WLAN PC Card radio Jamming Margin Test**

---

2446.25	13.3	-62	-59.8	-2.2	2	7.0	13.1
2446.30	13.3	-62	-59.7	-2.3	2	7.1	13.0
2446.35	13.3	-62	-59.9	-2.1	2	6.4	13.2
2446.40	13.3	-62	-59.7	-2.3	2	7.0	13.0
2446.45	13.3	-62	-59.8	-2.2	2	5.6	13.1
2446.50	13.3	-62	-59.6	-2.4	2	7.3	12.9
2446.55	13.3	-62	-59.6	-2.4	2	6.2	12.9
2446.60	13.3	-62	-59.3	-2.7	2	4.9	12.6
2446.65	13.3	-62	-59.2	-2.8	2	6.1	12.5
2446.70	13.3	-62	-59.1	-2.9	2	6.5	12.4
2446.75	13.3	-62	-59.2	-2.8	2	7.1	12.5
2446.80	13.3	-62	-59.2	-2.8	2	6.4	12.5
2446.85	13.3	-62	-59.1	-2.9	2	6.9	12.4
2446.90	13.3	-62	-59.2	-2.8	2	6.7	12.5
2446.95	13.3	-62	-59.4	-2.6	2	7.0	12.7
2447.00	13.3	-62	-59.8	-2.2	2	6.2	13.1
2447.05	13.3	-62	-59.9	-2.1	2	4.9	13.2
2447.10	13.3	-62	-60.3	-1.7	2	5.9	13.6
2447.15	13.3	-62	-61.1	-0.9	2	8.0	14.4
2447.20	13.3	-62	-61.4	-0.6	2	7.7	14.7
2447.25	13.3	-62	-62.8	0.8	2	7.9	16.1
2447.30	13.3	-62	-62.7	0.7	2	7.5	16.0
2447.35	13.3	-62	-64.2	2.2	2	7.0	17.5
2447.40	13.3	-62	-63.8	1.8	2	6.4	17.1
2447.45	13.3	-62	-64.0	2.0	2	5.0	17.3
2447.50	13.3	-62	-64.2	2.2	2	7.0	17.5
2447.55	13.3	-62	-64.5	2.5	2	6.9	17.8
2447.60	13.3	-62	-64.2	2.2	2	5.9	17.5
2447.65	13.3	-62	-64.2	2.2	2	7.4	17.5
2447.70	13.3	-62	-63.2	1.2	2	8.0	16.5
2447.75	13.3	-62	-62.7	0.7	2	6.2	16.0
2447.80	13.3	-62	-61.9	-0.1	2	7.8	15.2
2447.85	13.3	-62	-61.5	-0.5	2	4.5	14.8
2447.90	13.3	-62	-60.7	-1.3	2	6.9	14.0
2447.95	13.3	-62	-60.7	-1.3	2	6.9	14.0
2448.00	13.3	-62	-60.6	-1.4	2	5.5	13.9
2448.05	13.3	-62	-60.1	-1.9	2	5.7	13.4

**W-LINK WLAN PC Card radio Jamming Margin Test**

---

2448.10	13.3	-62	-60.0	-2.0	2	5.2	13.3
2448.15	13.3	-62	-60.0	-2.0	2	5.9	13.3
2448.20	13.3	-62	-59.9	-2.1	2	7.3	13.2
2448.25	13.3	-62	-60.0	-2.0	2	7.3	13.3
2448.30	13.3	-62	-60.0	-2.0	2	5.9	13.3
2448.35	13.3	-62	-60.2	-1.8	2	5.3	13.5
2448.40	13.3	-62	-60.5	-1.5	2	7.3	13.8
2448.45	13.3	-62	-60.8	-1.2	2	6.6	14.1
2448.50	13.3	-62	-61.1	-0.9	2	4.5	14.4
2448.55	13.3	-62	-61.2	-0.8	2	5.9	14.5
2448.60	13.3	-62	-61.5	-0.5	2	4.8	14.8
2448.65	13.3	-62	-61.5	-0.5	2	7.4	14.8
2448.70	13.3	-62	-61.5	-0.5	2	5.2	14.8
2448.75	13.3	-62	-61.5	-0.5	2	5.5	14.8
2448.80	13.3	-62	-61.6	-0.4	2	6.8	14.9
2448.85	13.3	-62	-61.7	-0.3	2	5.9	15.0
2448.90	13.3	-62	-61.7	-0.3	2	7.2	15.0
2448.95	13.3	-62	-61.6	-0.4	2	6.0	14.9
2449.00	13.3	-62	-61.5	-0.5	2	5.8	14.8
2449.05	13.3	-62	-61.4	-0.6	2	6.3	14.7
2449.10	13.3	-62	-61.3	-0.7	2	7.7	14.6
2449.15	13.3	-62	-61.2	-0.8	2	5.3	14.5
2449.20	13.3	-62	-61.2	-0.8	2	4.9	14.5
2449.25	13.3	-62	-61.2	-0.8	2	7.8	14.5
2449.30	13.3	-62	-61.2	-0.8	2	6.8	14.5
2449.35	13.3	-62	-61.3	-0.7	2	6.7	14.6
2449.40	13.3	-62	-61.6	-0.4	2	4.6	14.9
2449.45	13.3	-62	-61.9	-0.1	2	5.3	15.2
2449.50	13.3	-62	-62.1	0.1	2	7.0	15.4
2449.55	13.3	-62	-62.3	0.3	2	7.9	15.6
2449.60	13.3	-62	-62.4	0.4	2	5.0	15.7
2449.65	13.3	-62	-62.5	0.5	2	6.0	15.8
2449.70	13.3	-62	-62.6	0.6	2	6.4	15.9
2449.75	13.3	-62	-62.6	0.6	2	6.3	15.9
2449.80	13.3	-62	-62.6	0.6	2	6.5	15.9
2449.85	13.3	-62	-62.7	0.7	2	5.1	16.0
2449.90	13.3	-62	-62.7	0.7	2	7.0	16.0

**W-LINK WLAN PC Card radio Jamming Margin Test**

2449.95	13.3	-62	-62.8	0.8	2	5.8	16.1
2450.00	13.3	-62	-62.6	0.6	2	4.6	15.9
2450.05	13.3	-62	-62.5	0.5	2	7.3	15.8
2450.10	13.3	-62	-62.3	0.3	2	5.1	15.6
2450.15	13.3	-62	-62.2	0.2	2	7.8	15.5
2450.20	13.3	-62	-62.2	0.2	2	5.6	15.5
2450.25	13.3	-62	-62.3	0.3	2	6.4	15.6
2450.30	13.3	-62	-62.4	0.4	2	5.1	15.7
2450.35	13.3	-62	-62.5	0.5	2	7.9	15.8
2450.40	13.3	-62	-62.8	0.8	2	7.0	16.1
2450.45	13.3	-62	-62.9	0.9	2	4.7	16.2
2450.50	13.3	-62	-63.3	1.3	2	6.3	16.6

**Processing Gain(dB)@20th Percentile=12.3**

