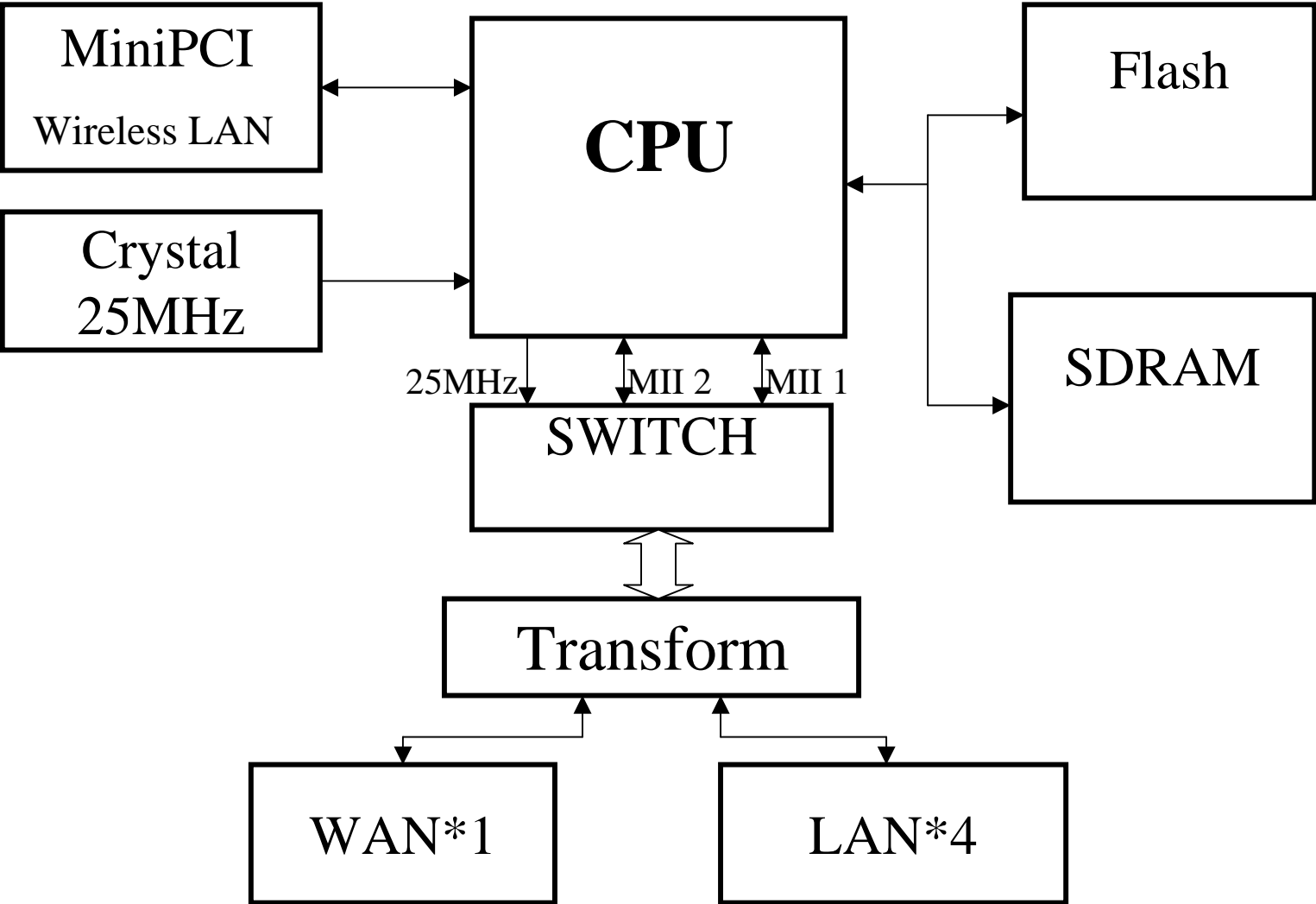
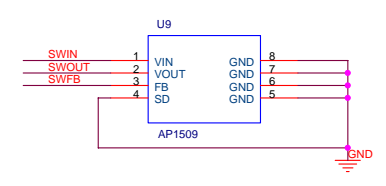
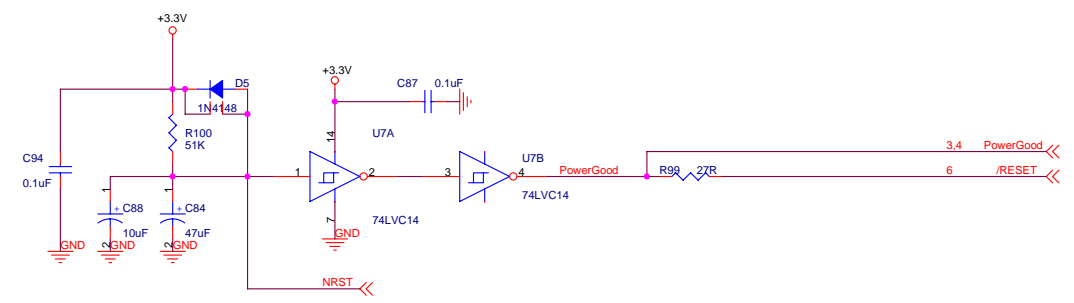
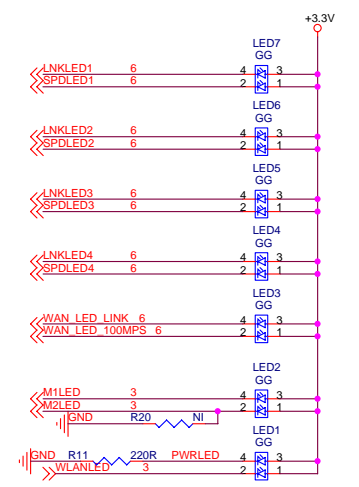
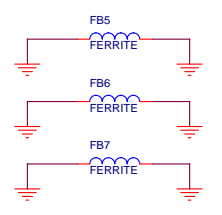
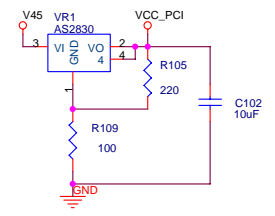
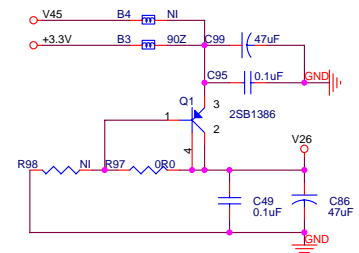
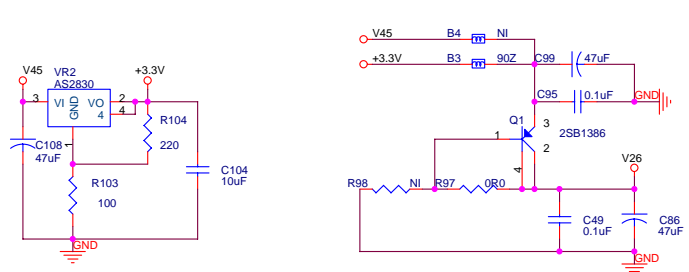


# DI-524 Block Diagram





**DC5V TO DC3.3V**

