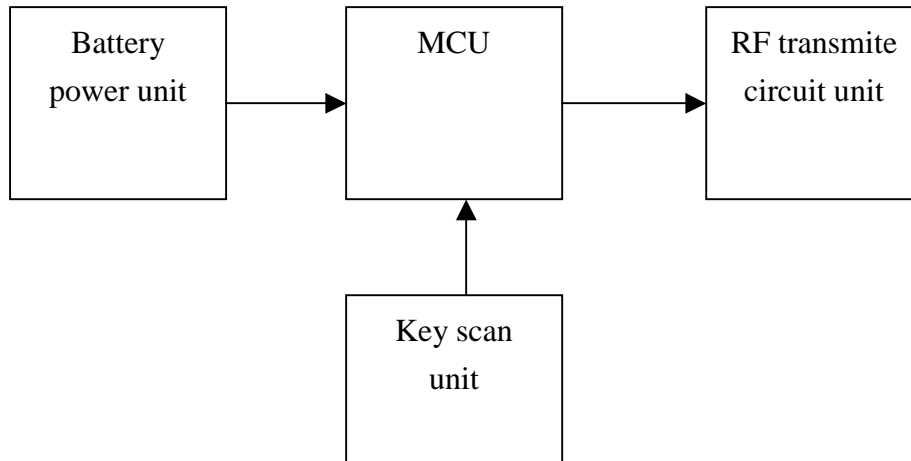


TMR/2A Theory description

Date:2005-5-9



Theory description:

1. System supply by battery and MCU control this system.
2. There are four button(30minutes, 60 minutes, 120 minutes,off) on this transmitter , user can set receiver delay on time by this transmitter. The delay on time calculate by MCU.
3. When user get user's command from key scan unit. These commands can let receiver switch 'on' when press button "30minutes, 60 minutes, 120 minutes", after the timer end receiver will switch off