

FCC Part 15 Subpart C
EMI TEST REPORT

of

E.U.T. : WALL REMOTE TRANSMITTER

FCC ID. : K9LTM-R-1

MODEL : SKY-TM/R-1

Working Frequency : 303.875 MHz

for

APPLICANT : SKYTECH II, INC

ADDRESS : 9230 Conservation Way, Fort Wayne, In 46809,
U.S.A.

Test Performed by

ELECTRONICS TESTING CENTER, TAIWAN

NO. 8, LANE 29, WEN-MING RD.,
LO-SHAN TSUN, KUI-SHAN HSIANG,
TAOYUAN HSIEN 333, TAIWAN, R.O.C.

Tel: (03) 3276170-3276174

Fax: (03) 3276188

Report Number: ET92S-01-219

TEST REPORT CERTIFICATION

Applicant : SKYTECH II, INC
9230 Conservation Way, Fort Wayne, In 46809, U.S.A.

Manufacturer : Win Home Electronic Factory
Shenzhen, Lung Kang District, Heng Kang Area, Hur Ou Chun, Chin Yen Industrial 2,
Shenzhen, China

Description of EUT :

- a) Type of EUT : WALL REMOTE TRANSMITTER
- b) Model No. : SKY-TM/R-1
- c) Serial No. : 030105
- d) FCC ID : K9LTM-R-1
- e) Working Frequency : 303.875 MHz
- f) Power Supply : 3V Battery x 2(Type: CR2032)


Regulation Applied : FCC Rules and Regulations Part 15 Subpart C (2002)

I HEREBY CERTIFY THAT; The data shown in this report were made in accordance with the procedures given in ANSI C63.4 and the energy emitted by the device was founded to be within the limits applicable. I assume full responsibility for accuracy and completeness of these data.

- Note:1.The results of the testing report relate only to the items tested.
 2.The testing report shall not be reproduced except in full, without the written approval of ETC.
 3.The report must not be used by the client to claim product endorsement by NVLAP or any agency of the U.S. Government.

Issue Date : Feb. 7, 2003

Test Engineer : 

Approve & Authorized Signer : 

Win-Po Tsai, Manager, NVLAP Signatory
EMC Dept. of ELECTRONICS
TESTING CENTER, TAIWAN

Table of Contents

Page

1. GENERAL INFORMATION.....1

1.1 PRODUCT DESCRIPTION 1

1.2 CHARACTERISTICS OF DEVICE:..... 1

1.3 TEST METHODOLOGY 1

1.4 TEST FACILITY..... 1

2. DEFINITION AND LIMITS2

2.1 DEFINITION..... 2

2.2 RESTRICTED BANDS OF OPERATION..... 2

2.3 LIMITATION..... 3

2.4 LABELING REQUIREMENT 4

2.5 USER INFORMATION 4

3. RADIATED EMISSION MEASUREMENT5

3.1 APPLICABLE STANDARD 5

3.2 MEASUREMENT PROCEDURE..... 5

3.3 TEST DATA 7

3.4 FIELD STRENGTH CALCULATION..... 8

3.5 RADIATED TEST EQUIPMENT 8

3.6 MEASURING INSTRUMENT SETUP 8

3.7 RADIATED MEASUREMENT PHOTOS 9

4. BANDWIDTH OF EMISSION AND DUTY FACTOR..... 14

4.1 APPLICABLE STANDARD PLOT GRAPHIC OF BANDWIDTH AND DUTY FACTOR..... 14

4.2 TEST EQUIPMENT 14

4.3 ACTIVE TIME..... 14

4.4 PLOT GRAPHIC OF BANDWIDTH..... 14

5. CONDUCTED EMISSION MEASUREMENT..... 17

5.1 STANDARD APPLICABLE 17

1. GENERAL INFORMATION

1.1 Product Description

Wall Remote Transmitter can control home appliances. Transmitter has half hour, one hour, two hours and off four functions. When users press desire setting time then transmitter itself will begin to count down the setting time, once reach the setting time then transmitter will send off signal to turn off the appliances.

1.2 Characteristics of Device:

Wall Remote Transmitter.

1.3 Test Methodology

Radiated testing were performed according to the procedures in chapter 13 of ANSI C63.4. The Wall Remote Transmitter under test was operated continuously in its normal operating mode for the purpose of the measurements. In order to secure the continuous operation of the device under test, rewiring in the circuit was done by the manufacturer so as to affect its intended operation.

The receiving antenna was varied from 1 to 4 meters and the wooden turntable was rotated through 360 degrees to obtain the highest reading on the field strength meter or on the display of the spectrum analyzer. And also, each emission was to be maximized by changing the orientation of the Remote Controller Transmitter under test.

1.4 Test Facility

The semi-anechoic chamber and conducted measurement facility used to collect the radiated and conducted data are located inside the Building at No.8, Lane 29, Wen-ming Road, Lo-shan Tsun, Kweishan Hsiang, Taoyuan, Taiwan, R.O.C.

This site has been accreditation as a FCC filing site.

2. DEFINITION AND LIMITS

2.1 Definition

Intentional radiator:

A device that intentionally generates and emits radio frequency energy by radiation or induction.

2.2 Restricted Bands of Operation

Only spurious emissions are permitted in any of the frequency bands listed below:

MHz	MHz	MHz	GHz
0.090 - 0.110	16.42-16.423	399.9-410	4.5-5.25
0.495 - 0.505 **	16.69475 - 16.69525	608-614	5.35-5.46
2.1735 - 2.1905	16.80425 - 16.80475	960-1240	7.25-7.75
4.125-4.128	25.5-25.67	1300-1427	8.025-8.5
4.17725-4.17775	37.5-38.25	1435-1626.5	9.0-9.2
4.20725-4.20775	73-74.6	1645.5-1646.5	9.3-9.5
6.215-6.218	74.8-75.2	1660-1710	10.6-12.7
6.26775-6.26825	108-121.94	1718.8-1722.2	13.25-13.4
6.31175-6.31225	123-138	2200-2300	14.47-14.5
8.291-8.294	149.9-150.05	2310-2390	15.35-16.2
8.362-8.366	156.52475 - 156.52525	2483.5-2500	17.7-21.4
8.37625-8.38675	156.7-156.9	2655-2900	22.01-23.12
8.41425-8.41475	162.0125-167.17	3260-3267	23.6-24.0
12.29-12.293	167.72-173.2	3332-3339	31.2-31.8
12.51975-12.52025	240-285	3345.8-3358	36.43-36.5
12.57675-12.57725	322-335.4	3600-4400	Above 38.6
13.36-13.41			

Remark "***" : Until February 1, 1999, this restricted band shall be 0.490-0.510 MHz

2.3 Limitation

(1) Conducted Emission Limits :

For an intentional radiator which is designed to be connected to the public utility (AC) power line, the conducted limit is the following:

Frequency MHz	Quasi Peak dB μ V	Average dB μ V
0.15 - 0.5	66-56	56-46
0.5 - 5.0	56	46
5.0 - 30.0	60	50

(2) Radiated Emission Limits :

According to 15.231 ,Periodic operation in the band 40.66-40.70 MHz and above 70 MHz, the field strength of emissions from intentional radiators operated under this section shall not exceed the following:

Frequency Band (MHz)	Field strength of Fundamental (uV/m)	Field strength of Spurious (uV/m)
40.66-40.70	2250	225
70-130	1250	125
130-174	*1,250 to 3,750	*125 to 375
174-260	3750	375
260-470	*3,750 to 12,500	*375 to 1250
Above 470	12500	1250

* Linear interpolations.

Field strength limits are at the distance of 3 meters, emissions radiated outside of the specified bands, shall be according to the general radiated limits in 15.209,as following table:

Other Frequencies (MHz)	Field Strength of Fundamental	
	μ V/meter	dB μ V/meter
30 - 88	100	40.0
88 - 216	150	43.5
216 - 960	200	46.0
Above 960	500	54.0

As shown in 15.35(b), for frequencies above 1000MHz, the field strength limits are based on average detector, however, the peak field strength of any emission shall not exceed the maximum permitted average limits, specified above by more than 20 dB under any condition of modulation.

(3) Limit of transmission time

- a) A manually operated Remote Controller Transmitter shall employ a switch that will automatically deactivate the Remote Controller Transmitter within not more than 5 seconds of being released.
- b) A Remote Controller Transmitter activated automatically shall cease transmission within 5 seconds after activation.

2.4 Labeling Requirement

The device shall bear the following statement in a conspicuous location on the device :

This device complies with part 15 of the FCC Rules. Operation is subject to the following two conditions: (1) This device may not cause harmful interference, and (2) this device must accept any interference received, including interference that may cause undesired operation.

2.5 User Information

The users manual or instruction manual for an intentional or unintentional radiator shall caution the user that changes or modifications not expressly approved by the party responsible for compliance could void the user's authority to operate the equipment.

3. RADIATED EMISSION MEASUREMENT

3.1 Applicable Standard

For periodic operation intentional radiator, the radiated emission shall comply with §5.231(b).

3.2 Measurement Procedure

1. Setup the configuration per figure 1 and 2 for frequencies measured below and above 1 GHz respectively. Turn on EUT and make sure that it is in normal function.
2. For emission frequencies measured below 1 GHz, a pre-scan is performed in a semi-anechoic chamber to determine the accurate frequencies of higher emissions and then each selected frequency is precisely measured. As the same purpose, for emission measured above 1 GHz, a pre-scan also be performed with a 1 meter measuring distance before final test.
3. For emission measured below and above 1 GHz, set the spectrum analyzer on a 100 kHz and 1 MHz resolution bandwidth respectively for each frequency measured in step 2.
4. The search antenna is to be raised and lowered over a range from 1 to 4 meters in horizontally polarized orientation. Position the highness when the highest value is indicated on spectrum analyzer, then change the orientation of EUT on test table over a range from 0° to 360° with a speed as slow as possible, and keep the azimuth that highest emission is indicated on the spectrum analyzer. Vary the antenna position again and record the highest value as a final reading. A RF test receiver is also used to confirm emissions measured.
5. Repeat step 4 until all frequencies need to be measured were complete.
6. Repeat step 5 with search antenna in vertical polarized orientations.
7. Check the three frequencies of highest emission with varying the placement of cables (if any) associated with EUT to obtain the worse case and record the result.

Figure 1 : Frequencies measured below 1 GHz configuration

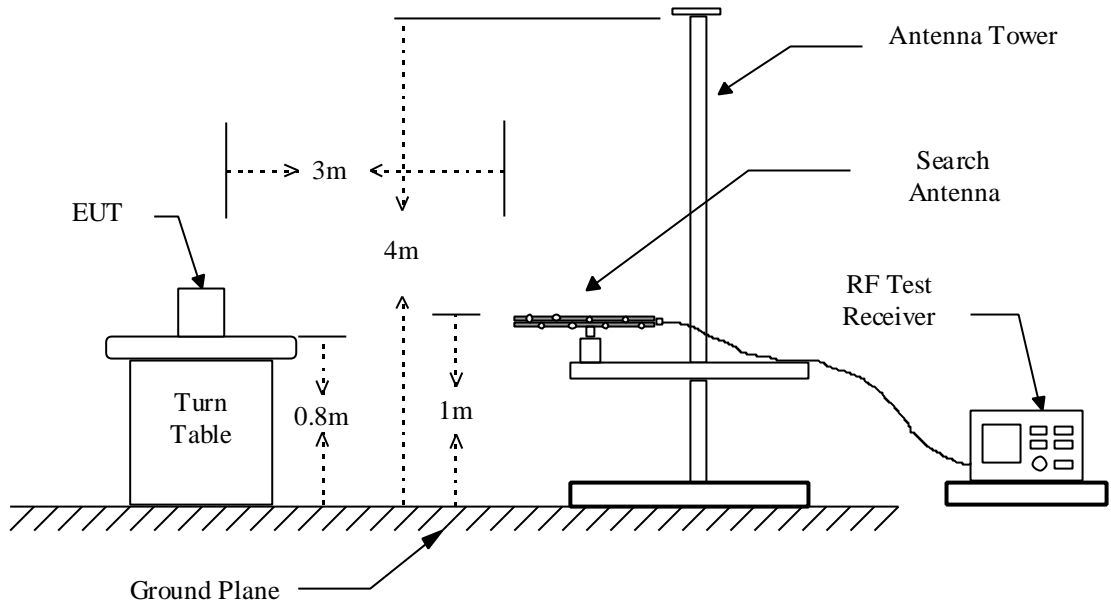
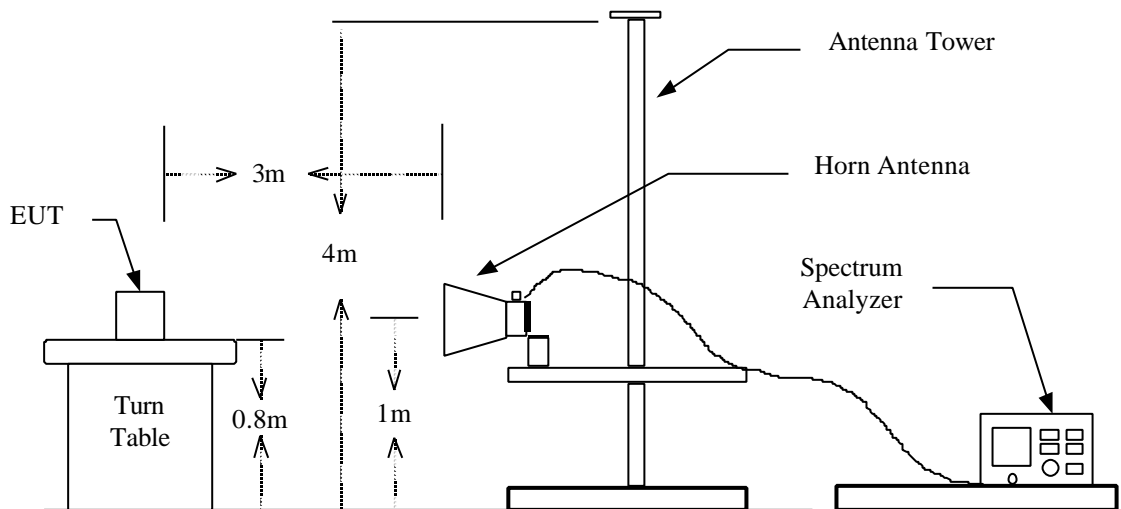


Figure 2 : Frequencies measured above 1 GHz configuration



3.3 Test Data

Temperature : 17
 Humidity : 70 %
 Operated mode : Transmitting
 Test Date : Feb. 07, 2003

Frequency (MHz)	Ant Pol H/V	Reading (dBuV) Peak	Correct Factor (dB)	Duty Factor (dB)	Result @3m (dBuV/m)		Limit @3m (dBuV/m)		Table Degree (Deg.)	Ant. High (m)
					Peak	AVG	Peak	AVG		
303.241	H	33.2	17.5	-11.8	50.7	38.9	94.9	74.9	178	1.0
303.241	V	25.9	17.5	-11.8	43.4	31.6	94.9	74.9	175	1.0
606.482	H	----	24.9	-11.8	----	----	74.9	54.9	----	----
606.482	V	----	24.9	-11.8	----	----	74.9	54.9	----	----
909.723	H	----	30.4	-11.8	----	----	74.9	54.9	----	----
909.723	V	----	30.4	-11.8	----	----	74.9	54.9	----	----
*1212.964	H	----	27.5	-11.8	----	----	74.0	54.0	----	----
*1212.964	V	----	27.5	-11.8	----	----	74.0	54.0	----	----
*1516.205	H	----	27.6	-11.8	----	----	74.0	54.0	----	----
*1516.205	V	----	27.6	-11.8	----	----	74.0	54.0	----	----
1819.446	H	----	29.6	-11.8	----	----	74.9	54.9	----	----
1819.446	V	----	29.6	-11.8	----	----	74.9	54.9	----	----
2122.687	H	----	30.8	-11.8	----	----	74.9	54.9	----	----
2122.687	V	----	30.8	-11.8	----	----	74.9	54.9	----	----
2425.928	H	----	28.9	-11.8	----	----	74.9	54.9	----	----
2425.928	V	----	28.9	-11.8	----	----	74.9	54.9	----	----
*2729.169	H	----	28.9	-11.8	----	----	74.0	54.0	----	----
*2729.169	V	----	28.9	-11.8	----	----	74.0	54.0	----	----
3032.410	H	----	28.9	-11.8	----	----	74.9	54.9	----	----
3032.410	V	----	28.9	-11.8	----	----	74.9	54.9	----	----

Note:1. "----" means the noise is too low to be measured.

2. Peak Result = Peak Reading + Correct Factor

3. AVG Result = Peak Result + Duty Factor

4. If the measured frequencies fall in the restricted frequency band, the limit employed is §5.209 general requirement when frequencies are below or equal to 1 GHz. And the measuring instrument is set to quasi peak detector function, no duty factor applied.

5. "*" means the frequency is in the restricted bands.

6. The EUT is a hand-held product. In order to get the worse data, X, Y, Z direction were adjusted during the data.

7. The Calculation of Duty Factor is : (Refer to Page 10,11,12,13)

$$20 \text{ Log } (\text{duty time} / \text{duty cycle time}) = 20 \text{ Log } [\frac{(1.05 * 5) + (0.337 * 20)}{46.5}] = -11.8 \text{ dB}$$

3.4 Field Strength Calculation

The field strength is calculated by adding the Antenna Factor and Cable Factor, and subtracting the Amplifier Gain (if any) from the measured reading. The basic equation with a sample calculation is as follows:

$$\text{Result} = \text{Reading} + \text{Corr. Factor} + \text{Duty Factor}$$

where $\text{Corr. Factor} = \text{Antenna Factor} + \text{Cable Factor}$

Assume a receiver reading of 54.8 dB μ V is obtained. The Antenna Factor of 16.0 and a Cable Factor of 1.5 and Duty factor of - 8.9 are added . The total of field strength is 38.5 dB μ V/m.

$$\text{Result} = 54.8 + 16.0 + 1.5 = 72.3 \text{ dB } \mu \text{ V/m}$$

$$\begin{aligned} \text{Level in } \mu \text{ V/m} &= \text{Common Antilogarithm}[(72.3 \text{ dB } \mu \text{ V/m})/20] \\ &= 4121.0 \mu \text{ V/m} \end{aligned}$$

3.5 Radiated Test Equipment

The following instrument are used for radiated emissions measurement :

Equipment	Manufacturer	Model No.	Serial No.	Calibrated until
EMI Test Receiver	HP	8546A	13054404-001	Jan.31,2004
BiconiLog Antenna	Schwarzbeck	VULB 9160	13057310-001	Sep.18,2003
Horn Antenna	EMCO	3115	9107-3729	Jan.05, 2004

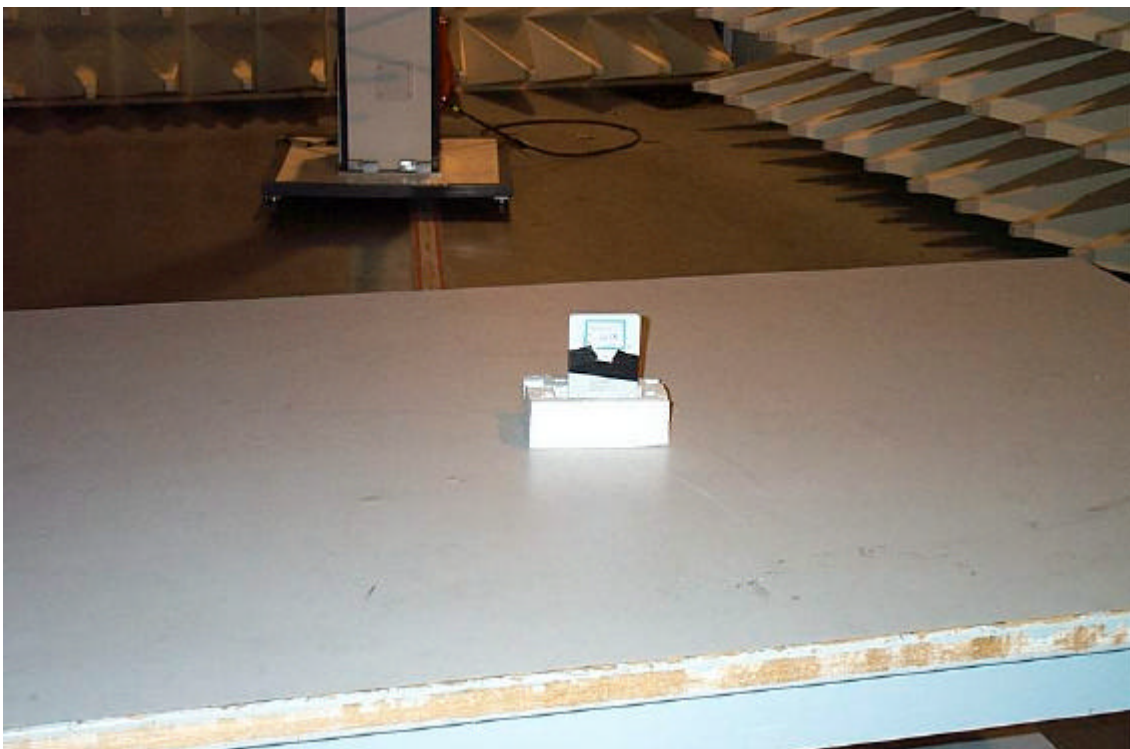
Note: The standards used to perform this calibration are traceable to NML/ROC, NIST/USA and NPL.

3.6 Measuring Instrument Setup

Measuring instrument setup in measured frequency band when specified detector function is used :

Frequency Band (MHz)	Instrument	Function	Resolution bandwidth	Video Bandwidth
30 to 1000	RF Test Receiver	Quasi-Peak	120 kHz	N/A
	Spectrum Analyzer	Peak	100 kHz	100 kHz
Above 1000	Spectrum Analyzer	Peak	1 MHz	1 MHz
	Spectrum Analyzer	Average	1 MHz	10Hz

3.7 Radiated Measurement Photos

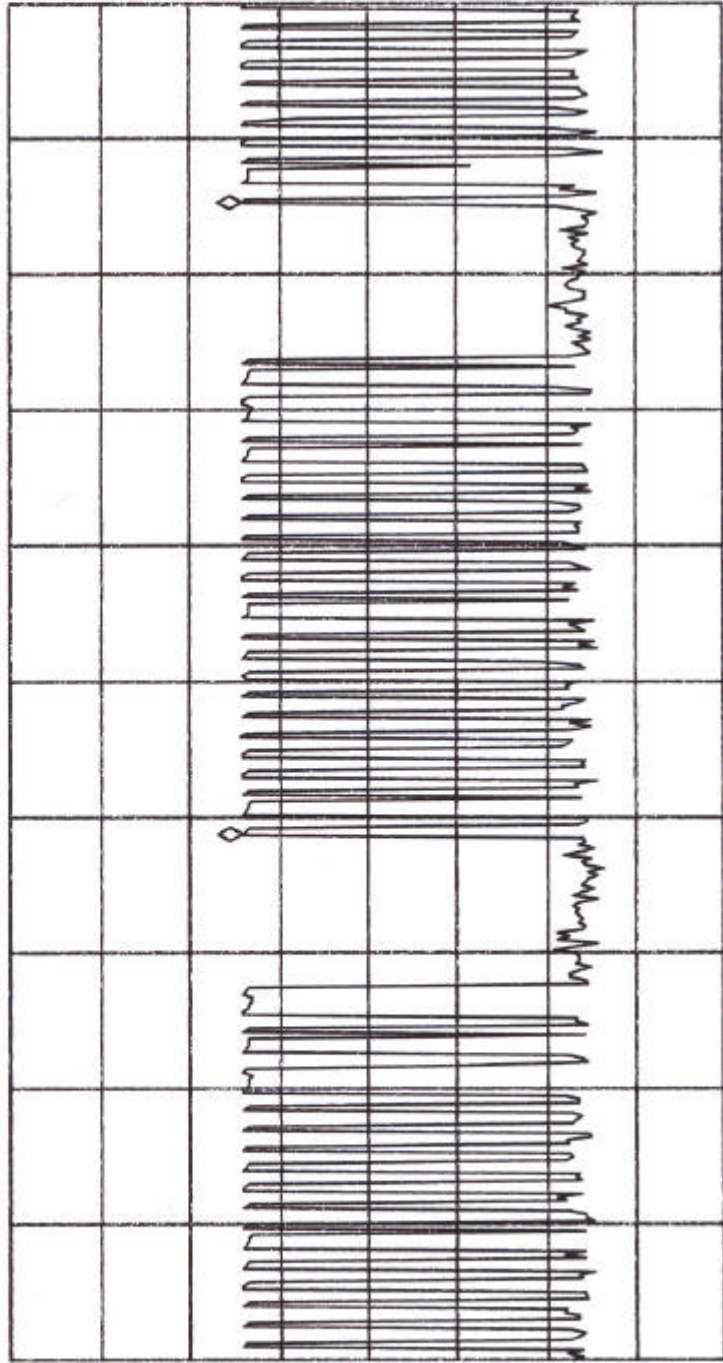




ACTV DET: PEAK
MEAS DET: PEAK QP AVG
MKRΔ 46.500 msec
.02 dB

LOG REF 66.0 dBμV

10
dB/
#ATN
0 dB



VA SB
SC FC
CORR

CENTER 303.241 MHz
IF BW 120 kHz

AVG BW 300 kHz

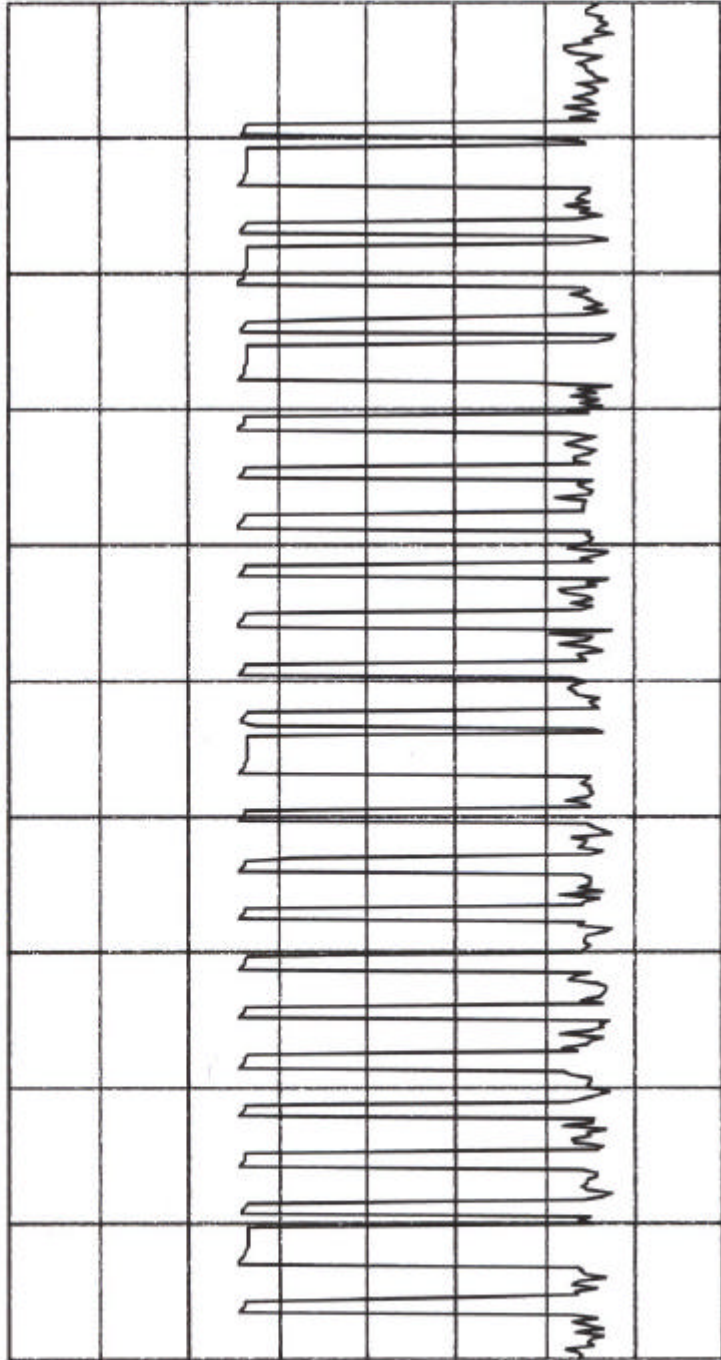
SPAN 0 Hz
#SWP 100 msec



ACTV DET: PEAK
MEAS DET: PEAK QP AVG

LOG REF 66.0 dBμV

10
dB/
#ATTN
0 dB



VA SB
SC FC
CORR

CENTER 303.241 MHz
IF BW 120 kHz

AVG BW 300 kHz

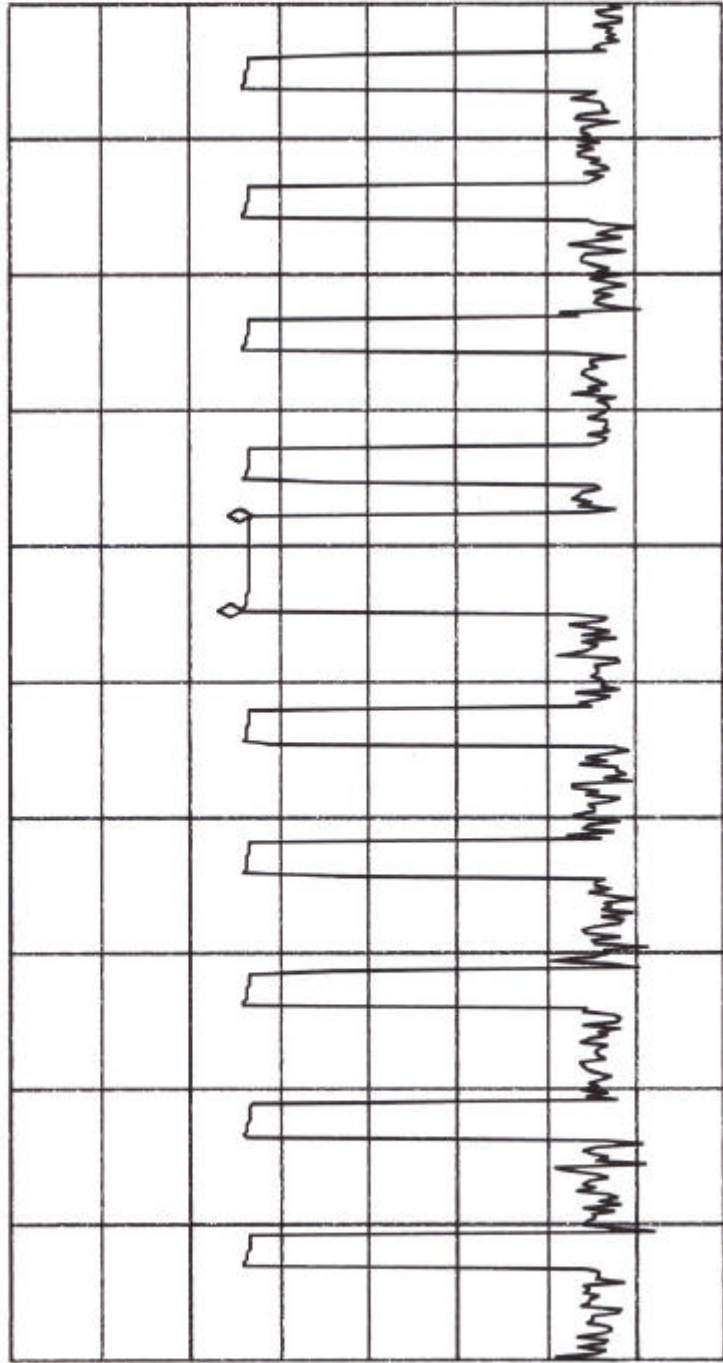
SPAN 0 Hz
#SWP 40.0 msec



ACTV DET: PEAK
MEAS DET: PEAK QP AVG
MKRA 1.0500 msec
-.97 dB

LOG REF 66.0 dBμV

10
dB/
#ATN
0 dB



VA SB
SC FC
CORR

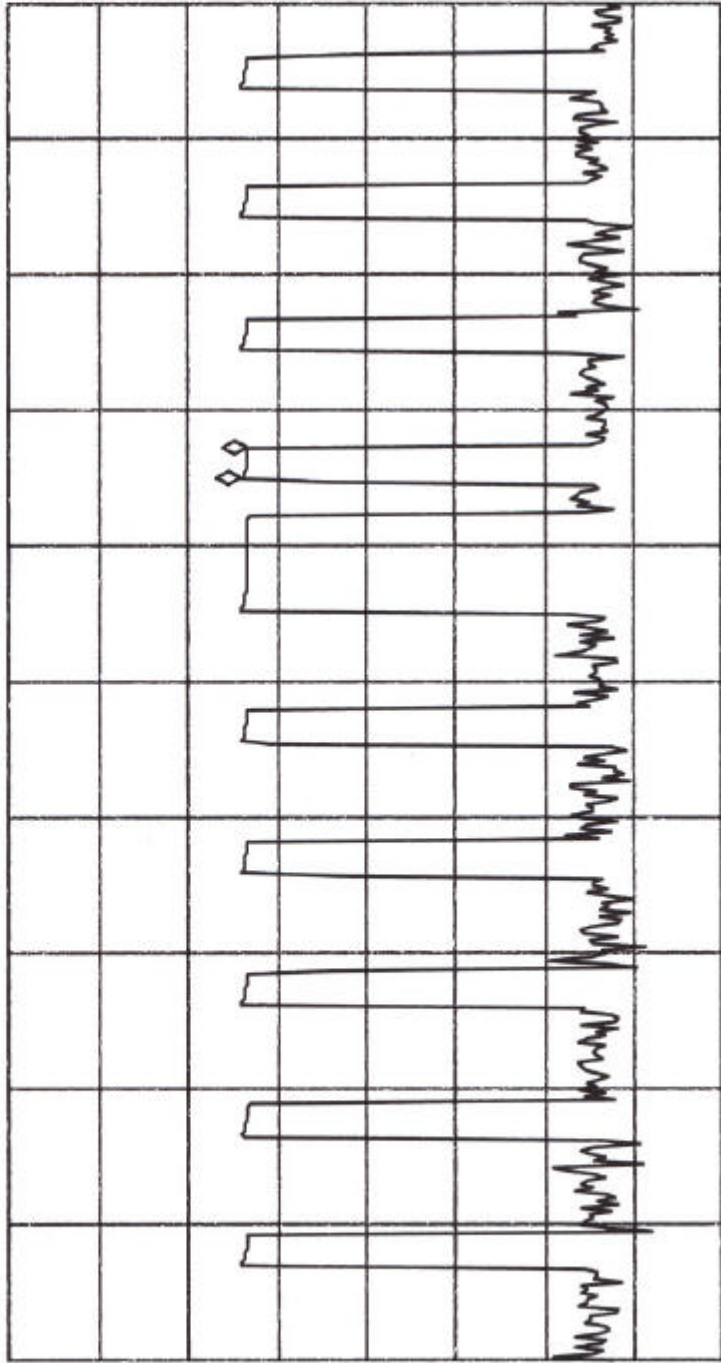
CENTER 303.241 MHz
IF BW 120 kHz
AUG BW 300 kHz
#SWP 15.0 msec
SPAN 0 Hz



ACTV DET: PEAK
MEAS DET: PEAK QP AVG
MKRA 337.00 μ sec
-.66 dB

LOG REF 66.0 dB μ V

10
dB/
#ATTN
0 dB



VA SB
SC FC
CORR

CENTER 303.241 MHz
IF BW 120 kHz

AVG BW 300 kHz
#SWP 15.0 msec
SPAN 0 Hz

4. BANDWIDTH OF EMISSION AND DUTY FACTOR

4.1 Applicable Standard Plot Graphic of Bandwidth and Duty Factor

Per FCC rule §5.231(c), the permitted emission bandwidth is no wider than 0.25% of the center frequency for devices operating above 70 MHz and below 900 MHz.

4.2 Test Equipment

Equipment	Manufacturer	Model No.	Serial No.	Calibrated until
EMI Test Receiver	HP	8542E	13054403-001	Dec. 03,2003
Plotter	Hewlett-Packard	7470A	----	N/A

4.3 Active time

This Wall Remote Transmitter is operated by Manual, and Activate Time is less than 1 second after being released.

4.4 Plot Graphic of Bandwidth

The emission bandwidth limit for this transmitter is

$$(a) \text{ Limit} = 303.241 \text{ MHz} \times 0.25\% = 758.103 \text{ kHz}$$

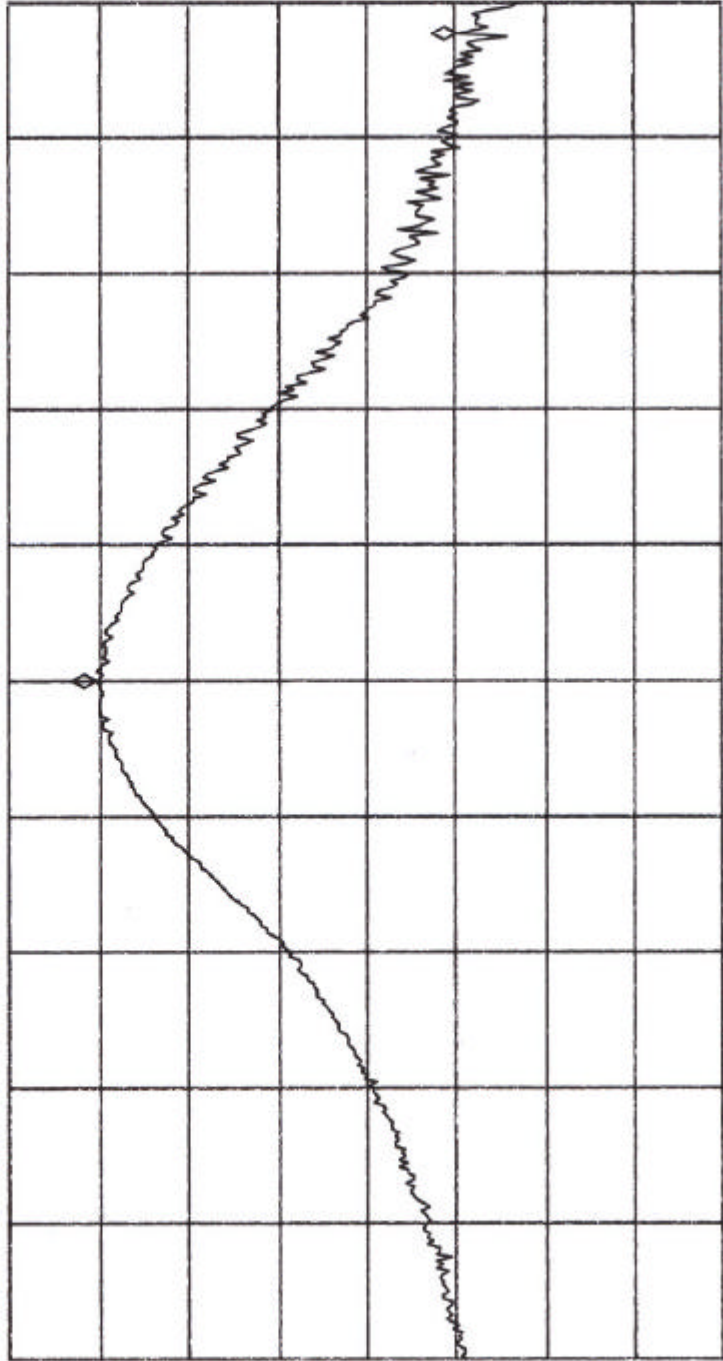
$$(b) \text{ Test Result} = 238.8 + 243.8 \text{ kHz} = 482.6 \text{ kHz} \text{ (Refer to Page 15,16)}$$



ACTV DET: PEAK
MEAS DET: PEAK QP AVG
MKRΔ 238.8 kHz
-20.27 dB

LOG REF 45.0 dBμV

5
dB/
#ATN
0 dB



VA SB
SC FC
CORR

CENTER 303.2413 MHz
IF BW 120 kHz

AVG BW 300 kHz

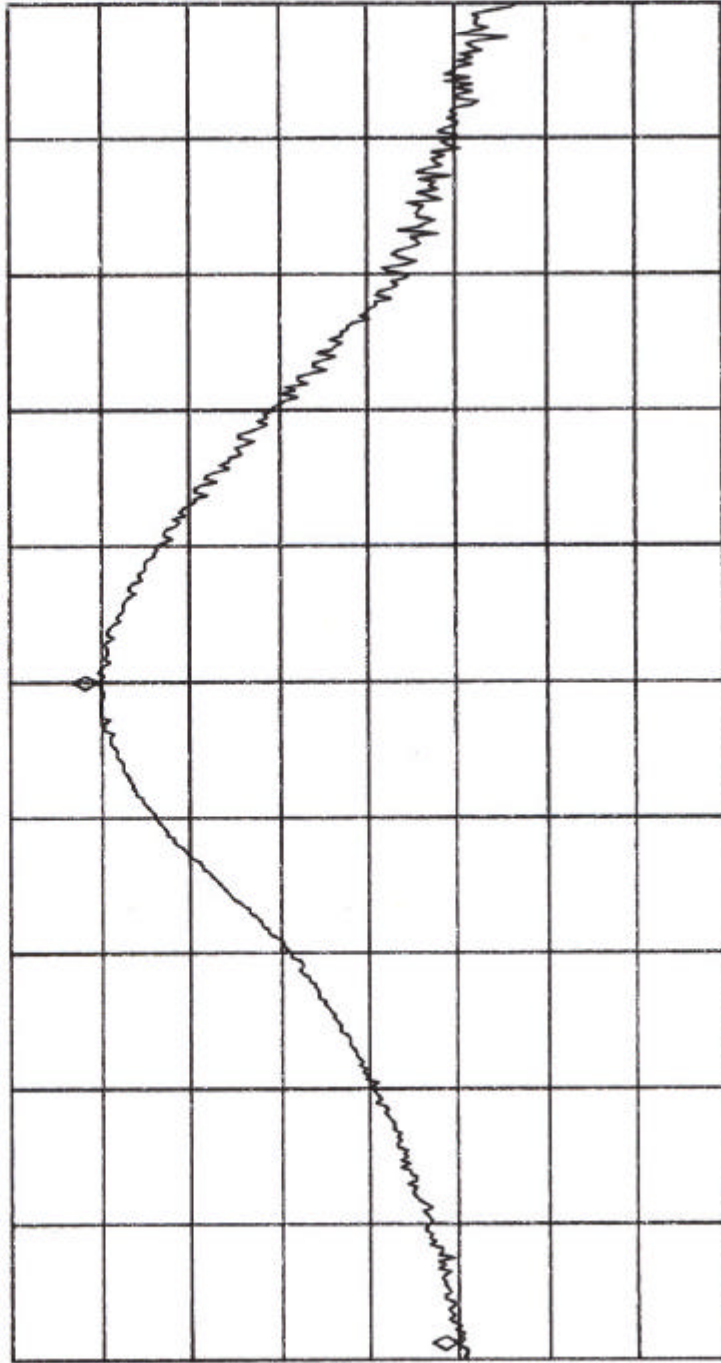
SPAN 500.0 kHz
SWP 20.0 msec



ACTV DET: PEAK
MEAS DET: PEAK QP AVG
MKR Δ -243.8 kHz
-20.00 dB

LOG REF 45.0 dB μ V

5
dB/
#ATN
0 dB



VA SB
SC FC
CORR

CENTER 303.2413 MHz
IF BW 120 kHz

AVG BW 300 kHz

SPAN 500.0 kHz
SWP 20.0 msec

5. CONDUCTED EMISSION MEASUREMENT

5.1 Standard Applicable

This EUT is excused from investigation of conducted emission, for it is powered by battery only. According to §5.207 (d), measurements to demonstrate compliance with the conducted limits are not required for devices which only employ battery power for operation and which do not operate from the AC power lines or contain provisions for operation while connected to the AC power lines.