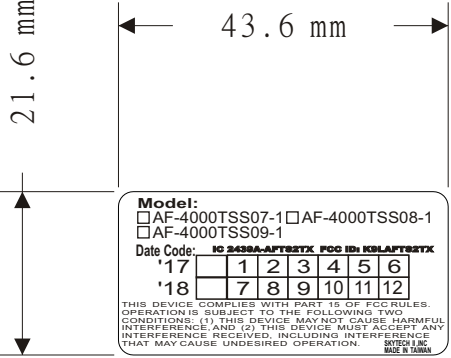


REV NO	ECN	PLACE	ORIGINAL SIZE	CHANGE SIZE	CAUSE	DRAFTER	CHECKED	DATE
△	N/A	N/A	原設計圖	N/A	N/A	施冠宇	林家毅	H606
△								



工程編輯版

**Model:**  
 AF-4000TSS07-1  AF-4000TSS08-1  
 AF-4000TSS09-1  
**Date Code: IC 2439A-AFTS2TX FCC ID: K9LAFTS2TX**  
 '17 

1	2	3	4	5	6
7	8	9	10	11	12

  
 '18 

1	2	3	4	5	6
7	8	9	10	11	12

  
 THIS DEVICE COMPLIES WITH PART 15 OF FCC RULES. OPERATION IS SUBJECT TO THE FOLLOWING TWO CONDITIONS: (1) THIS DEVICE MAY NOT CAUSE HARMFUL INTERFERENCE AND (2) THIS DEVICE MUST ACCEPT ANY INTERFERENCE RECEIVED, INCLUDING INTERFERENCE THAT MAY CAUSE UNDESIRABLE OPERATION. SKYTECH II, INC. MADE IN TAIWAN

放大圖2:1

**Model:**  
 AF-4000TSS07-1  AF-4000TSS08-1  
 AF-4000TSS09-1  
**Date Code: IC 2439A-AFTS2TX FCC ID: K9LAFTS2TX**  
 '17 

1	2	3	4	5	6
7	8	9	10	11	12

  
 '18 

1	2	3	4	5	6
7	8	9	10	11	12

  
 THIS DEVICE COMPLIES WITH PART 15 OF FCC RULES. OPERATION IS SUBJECT TO THE FOLLOWING TWO CONDITIONS: (1) THIS DEVICE MAY NOT CAUSE HARMFUL INTERFERENCE AND (2) THIS DEVICE MUST ACCEPT ANY INTERFERENCE RECEIVED, INCLUDING INTERFERENCE THAT MAY CAUSE UNDESIRABLE OPERATION. SKYTECH II, INC. MADE IN TAIWAN

廠商印刷版

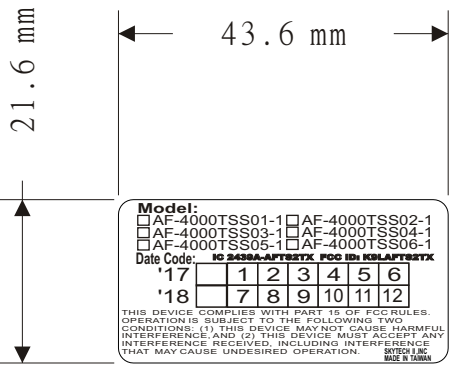
依圖形印刷  
 底色：PANTONE877C銀色  
 字色：PANTONE黑色  
 厚度：0.25mm(#25)  
 材質：反銀龍  
 尺寸誤差：正負0.2mm

RoHS	確認	審核	繪圖	設計

MATERIAL: THIRD ANGLE PROJ.		DRAFTER: 施冠宇		DATE: H606
DESIGNER: 施冠宇		CHECKED: 林家毅		DATE: H606
UNIT: mm	DWG NO: Cd13	TYPE: AF-4000TSS07~09-1		
SCALE: 1:1	PART NO: 3NC	NAME: FCC標貼		

FILE ADDRESS							
1	2	3	4	5	6	7	8

REV NO	ECN	PLACE	ORIGINAL SIZE	CHANGE SIZE	CAUSE	DRAFTER	CHECKED	DATE
△	N/A	N/A	原設計圖	N/A	N/A	施冠宇	饒明憲	C604
△	N/A	N/A	N/A	N/A	排版修改	施冠宇	簡鳳辰	DB14
△	N/A	N/A	N/A	N/A	文字變更	施冠宇	簡鳳辰	E113



**Model:**  
 AF-4000TSS01-1  AF-4000TSS02-1  
 AF-4000TSS03-1  AF-4000TSS04-1  
 AF-4000TSS05-1  AF-4000TSS06-1  
**Date Code:** IC 2439A-AFTS2TX FCC ID: K9LAFTS2TX  
 '17 

	1	2	3	4	5	6
'18	7	8	9	10	11	12

THIS DEVICE COMPLIES WITH PART 15 OF FCC RULES. OPERATION IS SUBJECT TO THE FOLLOWING TWO CONDITIONS: (1) THIS DEVICE MAY NOT CAUSE HARMFUL INTERFERENCE AND (2) THIS DEVICE MUST ACCEPT ANY INTERFERENCE RECEIVED, INCLUDING INTERFERENCE THAT MAY CAUSE UNDESIRABLE OPERATION.

SKYTECH II, INC.  
MADE IN TAIWAN

工程編輯版

放大圖2:1

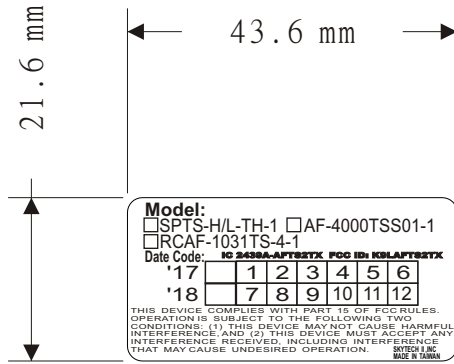
廠商印刷版

依圖形印刷  
 底色：PANTONE877C銀色  
 字色：PANTONE黑色  
 厚度：0.25mm(#25)  
 材質：反銀龍  
 尺寸誤差：正負0.2mm



MATERIAL:		THIRD ANGLE PROJ.		DRAFTER	施冠宇	DATE	E113
UNIT: mm		DWG NO: CD1304N2		DESIGNER	施冠宇	DATE	E113
SCALE: 1:1		PART NO: 3NC8168S31110P		CHECKED	簡鳳辰	DATE	E113
FILE ADDRESS		NAME		AF-4000TSSXX		FCC標貼	

REV NO	ECN	PLACE	ORIGINAL SIZE	CHANGE SIZE	CAUSE	DRAFTER	CHECKED	DATE
▲	N/A	N/A	原設計圖	N/A	N/A	施冠宇	饒明憲	C604
▲	N/A	N/A	N/A	N/A	文字變更	施冠宇	簡鳳辰	E113



**Model:**  
 SPTS-H/L-TH-1  AF-4000TSS01-1  
 RCAF-1031TS-4-1  
**Date Code: IC 2439A-AFTS2TX FCC ID: K9LAFTS2TX**  
 '17 

	1	2	3	4	5	6
'18	7	8	9	10	11	12

  
 THIS DEVICE COMPLIES WITH PART 15 OF FCC RULES. OPERATION IS SUBJECT TO THE FOLLOWING TWO CONDITIONS: (1) THIS DEVICE MAY NOT CAUSE HARMFUL INTERFERENCE AND (2) THIS DEVICE MUST ACCEPT ANY INTERFERENCE RECEIVED, INCLUDING INTERFERENCE THAT MAY CAUSE UNDESIRABLE OPERATION. SKYTECH II, INC. MADE IN TAIWAN

工程編輯版

放大圖2:1

廠商印刷版

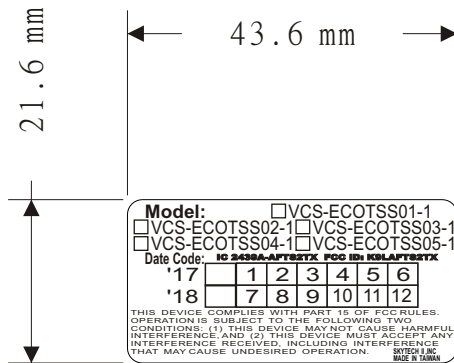
依圖形印刷  
 底色：PANTONE877C銀色  
 字色：PANTONE黑色  
 厚度：0.25mm(#25)  
 材質：反銀龍  
 尺寸誤差：正負0.2mm



MATERIAL:		THIRD ANGLE PROJ.		DRAFTER	施冠宇	DATE	E113
UNIT: mm		DWG NO: CD1305R1		DESIGNER	施冠宇	DATE	E113
SCALE: 1:1		PART NO: 3NC1042S11110P		CHECKED	簡鳳辰	DATE	E113
				NAME	VCS-ECOTSS01 FCC標貼		

FILE ADDRESS

REV NO	ECN	PLACE	ORIGINAL SIZE	CHANGE SIZE	CAUSE	DRAFTER	CHECKED	DATE
▲	N/A	N/A	原設計圖	N/A	N/A	施冠宇	饒明惠	G414



**Model:**  VCS-ECOTSS01-1  
 VCS-ECOTSS02-1  VCS-ECOTSS03-1  
 VCS-ECOTSS04-1  VCS-ECOTSS05-1  
**Date Code: IC 2439A-AFTS2TX FCC ID: K9LAFTS2TX**  
'17 

	1	2	3	4	5	6
'18	7	8	9	10	11	12

  
THIS DEVICE COMPLIES WITH PART 15 OF FCC RULES. OPERATION IS SUBJECT TO THE FOLLOWING TWO CONDITIONS: (1) THIS DEVICE MAY NOT CAUSE HARMFUL INTERFERENCE AND (2) THIS DEVICE MUST ACCEPT ANY INTERFERENCE RECEIVED, INCLUDING INTERFERENCE THAT MAY CAUSE UNDESIRABLE OPERATION. SKYTECH II, INC. MADE IN TAIWAN

工程編輯版

放大圖2:1

廠商印刷版

依圖形印刷

底色：PANTONE877C銀色

字色：PANTONE黑色

厚度：0.25mm(#25)

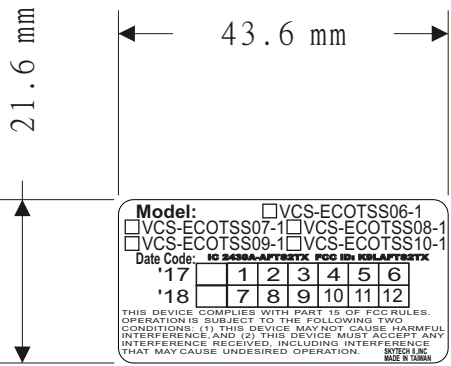
材質：反銀龍

尺寸誤差：正負0.2mm

RoHS	確認	審核	繪圖	設計

MATERIAL:		THIRD ANGLE PROJ.		DRAFTER	施冠宇	DATE	G414
UNIT: mm		DWG NO	CD1307J0	DESIGNER	施冠宇	DATE	G414
SCALE: 1:1		PART NO	3NC1049S11110P	CHECKED	饒明惠	DATE	G414
FILE ADDRESS		NAME		VCS-ECOTSS01-05		FCC標貼	

REV NO	ECN	PLACE	ORIGINAL SIZE	CHANGE SIZE	CAUSE	DRAFTER	CHECKED	DATE
▲	N/A	N/A	原設計圖	N/A	N/A	施冠宇	林家毅	H606



**Model:**  VCS-ECOTSS06-1  
 VCS-ECOTSS07-1  VCS-ECOTSS08-1  
 VCS-ECOTSS09-1  VCS-ECOTSS10-1  
**Date Code:** IC 2439A-AFTS2TX FCC ID: K9LAFTS2TX  
'17 

	1	2	3	4	5	6
'18	7	8	9	10	11	12

  
THIS DEVICE COMPLIES WITH PART 15 OF FCC RULES. OPERATION IS SUBJECT TO THE FOLLOWING TWO CONDITIONS: (1) THIS DEVICE MAY NOT CAUSE HARMFUL INTERFERENCE AND (2) THIS DEVICE MUST ACCEPT ANY INTERFERENCE RECEIVED, INCLUDING INTERFERENCE THAT MAY CAUSE UNDESIRABLE OPERATION. SKYTECH II, INC. MADE IN TAIWAN

**Model:**  VCS-ECOTSS06-1  
 VCS-ECOTSS07-1  VCS-ECOTSS08-1  
 VCS-ECOTSS09-1  VCS-ECOTSS10-1  
Date Code: IC 2439A-AFTS2TX FCC ID: K9LAFTS2TX  
'17 

	1	2	3	4	5	6
'18	7	8	9	10	11	12

  
THIS DEVICE COMPLIES WITH PART 15 OF FCC RULES. OPERATION IS SUBJECT TO THE FOLLOWING TWO CONDITIONS: (1) THIS DEVICE MAY NOT CAUSE HARMFUL INTERFERENCE AND (2) THIS DEVICE MUST ACCEPT ANY INTERFERENCE RECEIVED, INCLUDING INTERFERENCE THAT MAY CAUSE UNDESIRABLE OPERATION. SKYTECH II, INC. MADE IN TAIWAN

工程編輯版

放大圖2:1

廠商印刷版

依圖形印刷  
底色：PANTONE877C銀色  
字色：PANTONE黑色  
厚度：0.25mm(#25)  
材質：反銀龍  
尺寸誤差：正負0.2mm

RoHS	確認	審核	繪圖	設計

協記精密工業股份有限公司 FISO PRECISION INDUSTRIAL CO., LTD.		DRAFTER	施冠宇	DATE	H606
MATERIAL:	THIRD ANGLE PROJ.	DESIGNER	施冠宇	DATE	H606
UNIT: mm	DWG NO Cd13	CHECKED	林家毅	DATE	H606
SCALE: 1:1	PART NO 3NC	NAME	VCS-ECOTSS06-10-1 FCC標貼		

FILE ADDRESS	1	2	3	4	5	6	7	8
--------------	---	---	---	---	---	---	---	---

