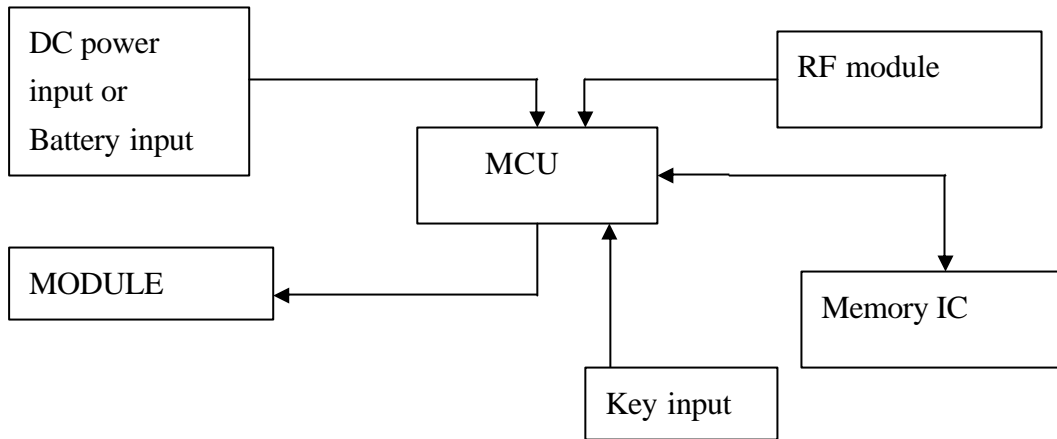


AF-4000PEWM receiver theory description



Theory description:

1. Receiver get electricity from DC power or Battery power.
2. Receiver action control by handset RF signal or Key input. Due to RF signal are very easy interference by environment so MCU use memory IC to memory handset ID code to prevent this issue.
3. MCU control all system's operation and the main purpose is control MODULE.