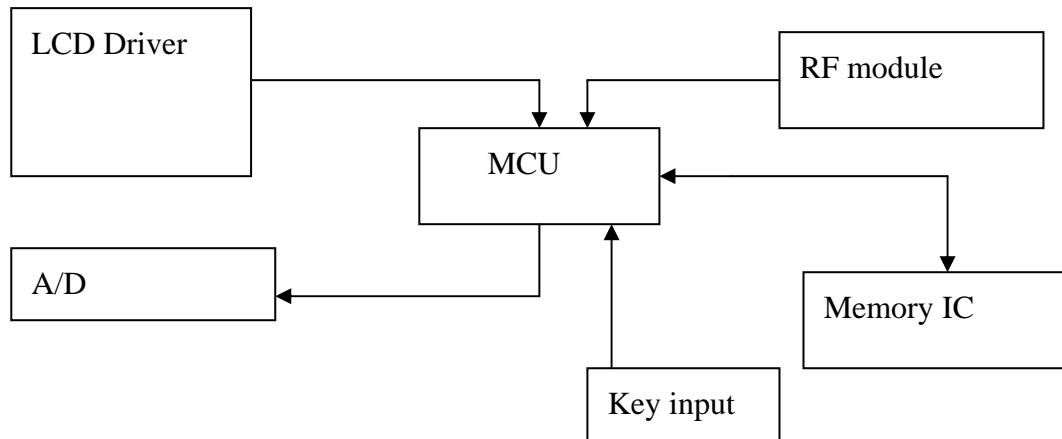


AF-4000PEHH receiver theory description



Theory description:

1. Transmitter get electricity from battery.
2. Transmitter action control by user Key input. Some condition will send RF signal. Most action will show on the LCD.
3. MCU control all system's operation.