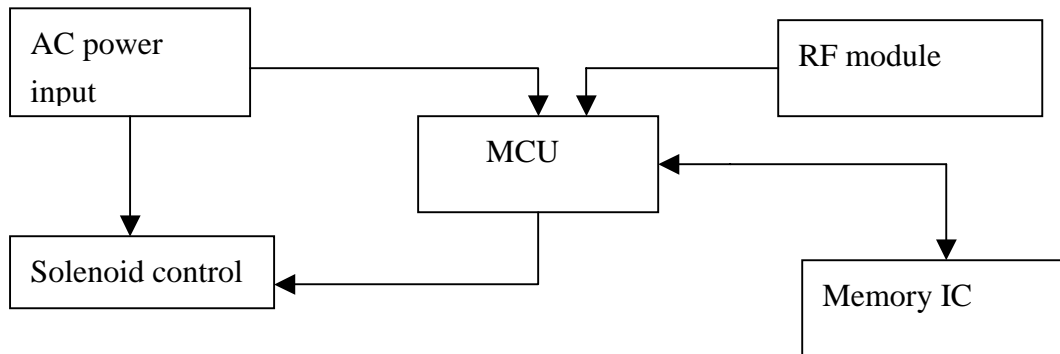


# 1410 receiver theory description

Date:2005-5-3



## Theory description:

1. Receiver get electricity from AC power this power also provide to solenoid valve.
2. Receiver action control by handset RF signal. Due to RF signal are very easy interference by environment so MCU use memory IC to memory handset ID code to prevent this issue.
3. MCU control all system's operation and the main purpose is control solenoid valve on/off.