

## Skytech II, Inc.

# TEST REPORT

**SCOPE OF WORK:**

47 CFR FCC Part 15.231 – Radio Spectrum report

**Model:**

SP1001H-LTHTX-B, 1001TH-B, RR-2A-B, AT-R2-1B,  
CON1001TH-B, 1420TH-B, 1001T-LCD-B, 1420TLCD-B,  
SR1001TH-B, VR-2A-B, AT-V2-1B, SP1001THTX-B,  
SP1001H-LTH-3B

**REPORT NUMBER**

220300012THC-001

**ISSUE DATE**

Mar. 29, 2022

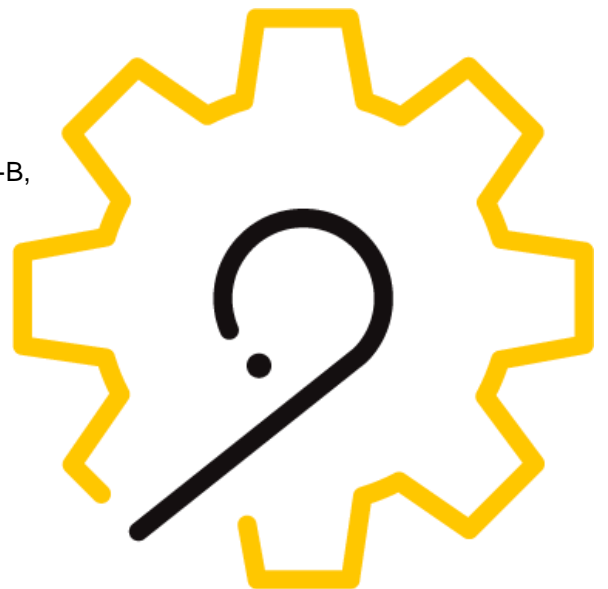
**PAGES**

19

**DOCUMENT CONTROL NUMBER**

GFT-OP-10h (28-Nov-2018)

© 2020 Intertek



# Radio Spectrum TEST REPORT

<b>Applicant:</b>	Skytech II, Inc. 9230 Conservation Way, Ft. Wayne, IN 46809, USA
<b>Product:</b>	Remote control transmitter
<b>Model No.:</b>	SP1001H-LTHTX-B, 1001TH-B, RR-2A-B, AT-R2-1B, CON1001TH-B, 1420TH-B, 1001T-LCD-B, 1420TLCD-B, SR1001TH-B, VR-2A-B, AT-V2-1B, SP1001THTX-B, SP1001H-LTH-3B
<b>FCC ID:</b>	K9L1001THR2TX
<b>Test Method/ Standard:</b>	47 CFR FCC Part 15.231
<b>Test By:</b>	Intertek Testing Services Taiwan Ltd., Hsinchu Laboratory No. 11, Lane 275, Ko-Nan 1 Street, Chia-Tung Li, Shiang-Shan District, Hsinchu City, Taiwan



*Zero Chen*

Zero Chen  
Engineer

*Rico Deng*

Rico Deng  
Reviewer

This report is for the exclusive use of Intertek's Client and is provided pursuant to the agreement between Intertek and its Client. Intertek's responsibility and liability are limited to the terms and conditions of the agreement. Intertek assumes no liability to any party, other than to the Client in accordance with the agreement, for any loss, expense or damage occasioned by the use of this report. Only the Client is authorized to permit copying or distribution of this report and then only in its entirety. Any use of the Intertek name or one of its marks for the sale or advertisement of the tested material, product or service must first be approved in writing by Intertek. The observations and test results in this report are relevant only to the sample tested. This report by itself does not imply that the material, product, or service is or has ever been under an Intertek certification program.

### Revision History

Report No.	Issue Date	Revision Summary
220300012THC-001	Mar. 29, 2022	Original report

## Table of Contents

Summary of Test Data .....	4
1. General Information .....	5
1.1 Identification of the EUT .....	5
1.2 Additional information about the EUT .....	5
1.3 Antenna description .....	5
2. Test specifications.....	6
2.3 Peripherals equipment .....	6
3. Radiated emission test FCC 15.231 (b).....	7
3.1.1 Radiated emission from 9kHz to 30MHz uses Loop Antenna: .....	7
3.1.2 Radiated emission below 1GHz using Bilog Antenna.....	8
3.1.3 Radiated emission above 1GHz using Horn Antenna.....	8
4. Measured bandwidth FCC 15.231(C) .....	14
5. Timing requirement of operated transmitter.....	16
6. Conducted emission FCC 15.207 .....	17
Appendix A: Test equipment list.....	18
Appendix B: Measurement Uncertainty.....	19

**Summary of Test Data**

Test Requirement	Applicable Rule	Result
Radiated Emission test	15.231(b), 15.209	Pass
Measured bandwidth	15.231(c)	Pass
Timing requirement of operated transmitter	15.231(b)	Pass
Conducted Emission test	15.207	N/A
Antenna Requirement	15.203	Pass

Note: Please note that the test results with statement of conformity, the decision rules which are based on: Safety Testing: the specification, standard or IEC Guide 115.

Other Testing: the specification, standard and not taking into account the measurement uncertainty.

## 1. General Information

### 1.1 Identification of the EUT

<b>Product:</b>	Remote control transmitter
<b>Model No.:</b>	SP1001H-LTHTX-B
<b>Operating Frequency:</b>	303.8 MHz
<b>Rated Power:</b>	DC 3V
<b>Power Cord:</b>	N/A
<b>Sample receiving date:</b>	2022/3/1
<b>Sample condition:</b>	Workable
<b>Test Date(s):</b>	2022/3/2 ~ 2022/3/4

### 1.2 Additional information about the EUT

The customer confirmed the models listed as below were series model to model SP1001H-LTHTX-B (EUT), the difference between main model and series model are listed as below.

Model Number	Different
1001TH-B, RR-2A-B, AT-R2-1B, CON1001TH-B, 1420TH-B	4-KEY: ON, OFF, MODE, SET
1001T-LCD-B, 1420TLCD-B	4-KEY: ON, OFF, TIMER, SET
SR1001TH-B, VR-2A-B, AT-V2-1B	4-KEY: ON/HI, LO/OFF, MODE, SET
SP1001THTX-B	4-KEY: ON/OFF, MODE, SET, CONTINUOUS PILOT
SP1001H-LTHTX-B, SP1001H-LTH-3B	4-KEY: ON H/L, OFF/CONTINUOUS PILOT, MODE, SET

### 1.3 Antenna description

Antenna Type : Metal Antenna  
 Connector Type : Fixed

## 2. Test specifications

### 2.1 Test standard

The EUT was performed according to the procedures in FCC Part 2.1053 and the requirement in FCC Part 15 Subpart C Section 15.231.

### 2.2 Operation mode

The EUT was supplied with DC 3V from battery.

The EUT powered on will transmit signal continued.

The signal is maximized through rotation and placement in the three orthogonal axes.



After verifying three axes, we found the maximum electromagnetic field was occurred at X axis. The final test data was executed under this configuration.

Frequency (MHz)	Signal on time(ms)	Signal on & off time(ms)	Duty Cycle	Duty Cycle factor
303.8	0.99	1.50	0.660	3.609

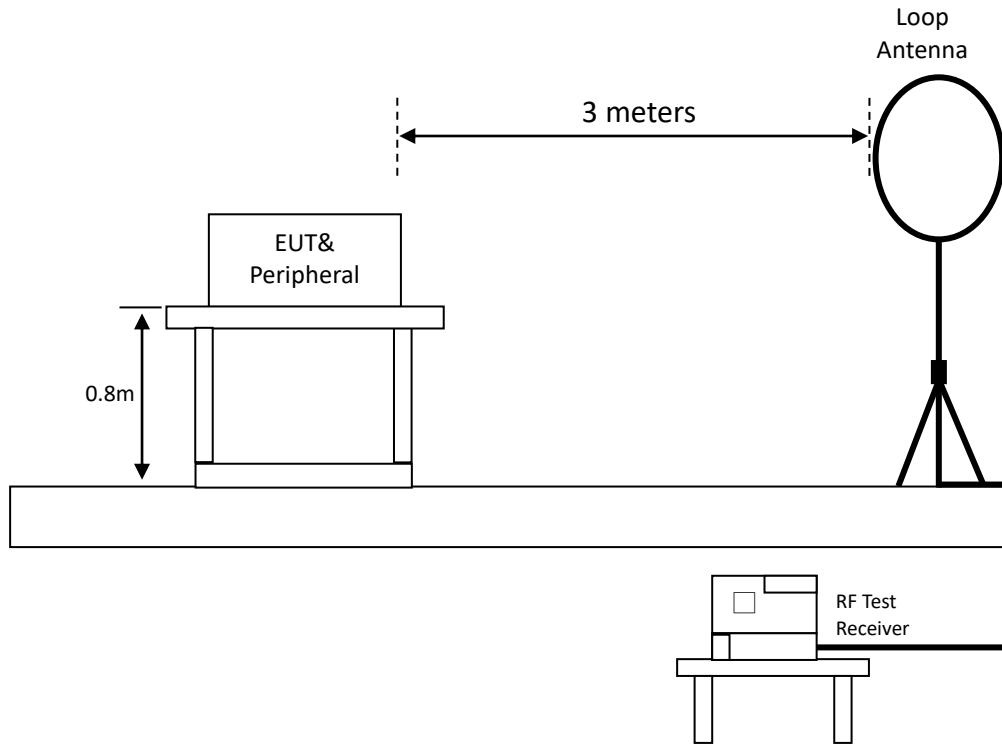
### 2.3 Peripherals equipment

Peripherals	Brand	Model No.	Serial No.	Data cable
Battery × 2	Panasonic	ALKALINE	N/A	N/A

**3. Radiated emission test FCC 15.231 (b)**

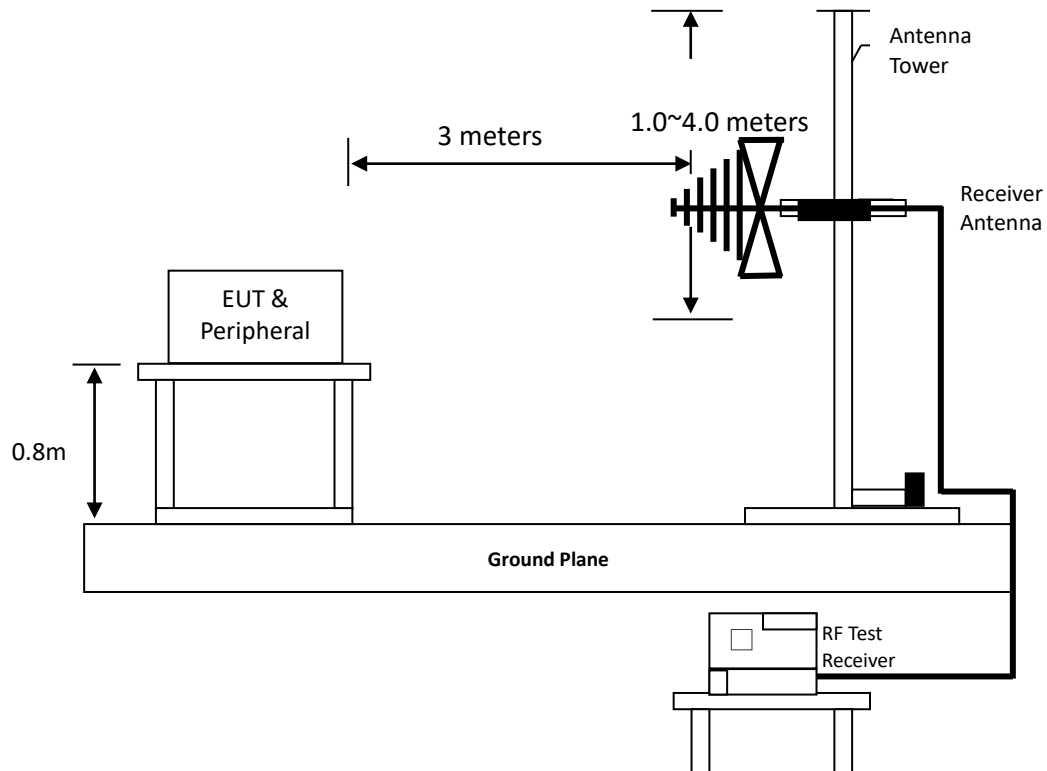
**3.1 Test setup & procedure**

**3.1.1 Radiated emission from 9kHz to 30MHz uses Loop Antenna:**

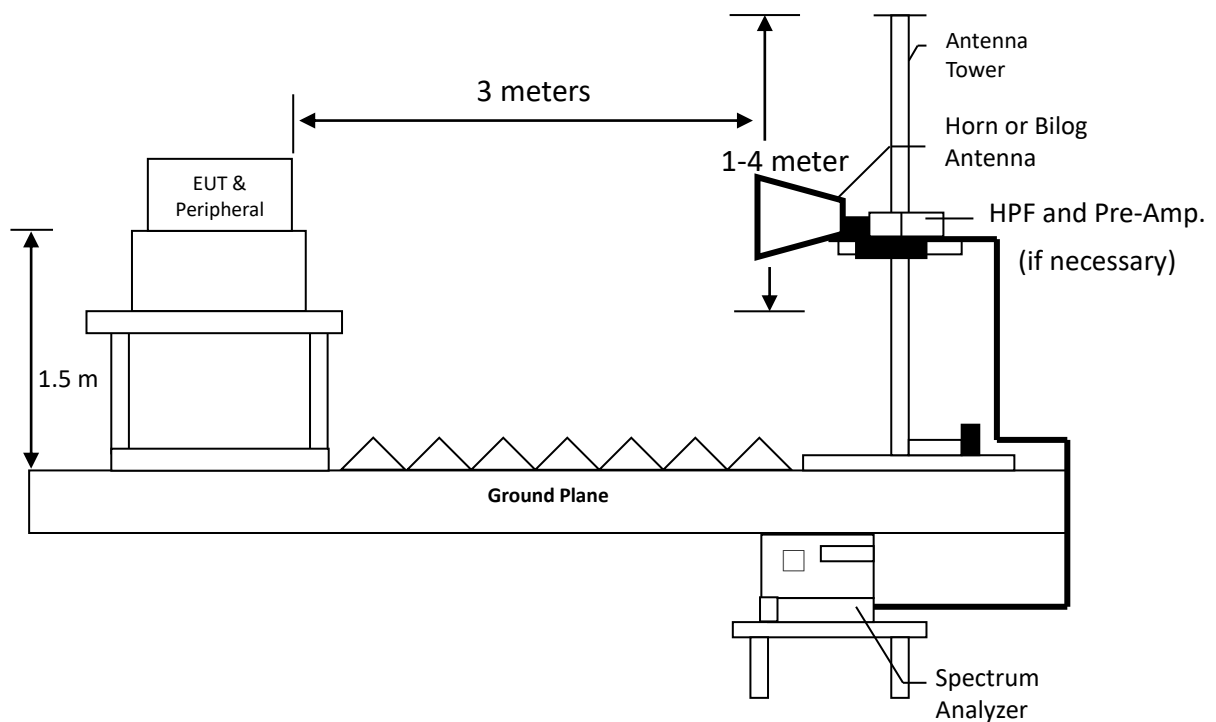




### 3.1.2 Radiated emission below 1GHz using Bilog Antenna



### 3.1.3 Radiated emission above 1GHz using Horn Antenna



### 3.2 Radiated emission limit

#### 3.2.1 Fundamental and harmonics emission limits

Frequency (MHz)	Field Strength of Fundamental		Field Strength of Harmonics	
	(uV/m@3 m)	(dBuV/m@3 m)	(uV/m@3 m)	(dBuV/m@3 m)
303.8	5575	74.93	557.5	54.93

#### 3.2.2 General radiated emission limit

The spurious Emission shall test through the 10th harmonic. In addition, radiated emissions which fall in the restricted bands, as defined in §15.205(a), must also comply with the radiated emission limits specified in §15.209(a).

Frequency MHz	15.209 Limits (dBµV/m@3m)
30-88	40
88-216	43.5
216-960	46
Above 960	54

Remark:

1. In the above table, the tighter limit applies at the band edges.
2. Distance refers to the distance in meters between the measuring instrument antenna and the closed point of any part of the device or system

**TEST REPORT**

**3.3 Radiated emission test data FCC 15.231**

**3.3.1 Measurement results: Fundamental emission**

Temperature: 22 °C  
 Relative Humidity: 60 %  
 Test date: 2022/3/4

Frequency (MHz)	Spectrum Analyzer Detector	Antenna Polarization	Correction Factor (dB/m)	Reading (dBμV)	Corrected Reading (dBμV/m)	Limit @ 3 m (dBμV/m)	Margin (dB)
303.80	PK	V	22.15	25.13	47.28	94.92	-47.64
303.80	AV	V	-	-	43.67	74.92	-31.25
303.80	PK	H	22.15	38.20	60.35	94.92	-34.57
303.80	AV	H	-	-	56.74	74.92	-18.18

Remark: Correction Factor = Antenna Factor + Cable Loss

Note: AV Corrected Reading = PK Corrected Reading +Duty cycle correction factor (-3.609)

## TEST REPORT

### 3.3.2 Measurement results: frequencies equal to or less than 1 GHz

Temperature: 22 °C  
 Relative Humidity: 60 %  
 Test date: 2022/3/4

#### 9kHz – 30MHz

Antenna Polarization	Frequency (MHz)	Detector	Correction Factor (dB/m)	Reading (dBμV)	Corrected Reading (dBμV/m)	Limit @ 3 m (dBμV/m)	Margin (dB)
Perpendicular	0.009	AV	18.20	52.18	70.38	128.52	-58.14
Perpendicular	0.180	AV	18.70	47.84	66.54	102.13	-35.59
Perpendicular	0.339	AV	18.76	43.36	62.12	97.02	-34.90
Perpendicular	0.549	QP	19.37	36.45	55.82	72.86	-17.04
Perpendicular	0.729	QP	19.54	27.01	46.55	70.43	-23.88
Perpendicular	1.209	QP	19.49	15.40	34.89	65.96	-31.07

Remark: Corr. Factor = Antenna Factor + Cable Loss

Antenna Polarization	Frequency (MHz)	Detector	Correction Factor (dB/m)	Reading (dBμV)	Corrected Reading (dBμV/m)	Limit @ 3 m (dBμV/m)	Margin (dB)
Parallel	0.009	AV	18.20	63.23	81.43	128.52	-47.09
Parallel	0.159	AV	18.57	52.93	71.50	103.63	-32.13
Parallel	0.249	AV	18.74	46.46	65.20	99.69	-34.49
Parallel	0.549	QP	19.37	42.32	61.69	72.86	-11.17
Parallel	0.639	QP	19.39	31.49	50.88	71.55	-20.67
Parallel	0.759	QP	19.59	25.86	45.45	70.06	-24.61

Remark: Corr. Factor = Antenna Factor + Cable Loss

Antenna Polarization	Frequency (MHz)	Detector	Correction Factor (dB/m)	Reading (dBμV)	Corrected Reading (dBμV/m)	Limit @ 3 m (dBμV/m)	Margin (dB)
Ground-parallel	0.129	AV	18.43	50.76	69.19	105.56	-36.37
Ground-parallel	0.249	AV	18.74	45.17	63.91	99.69	-35.78
Ground-parallel	0.399	AV	18.85	41.44	60.29	95.59	-35.30
Ground-parallel	0.519	QP	19.39	37.07	56.46	73.34	-16.88
Ground-parallel	0.669	QP	19.44	27.55	46.99	71.18	-24.19
Ground-parallel	0.789	QP	19.64	24.46	44.10	69.68	-25.58

Remark: Corr. Factor = Antenna Factor + Cable Loss

**TEST REPORT**

**30MHz – 1GHz**

Antenna Polarization	Frequency (MHz)	Spectrum Analyzer Detector	Correction Factor (dB/m)	Reading (dBμV)	Corrected Reading (dBμV/m)	Limit @ 3 m (dBμV/m)	Margin (dB)
Horizontal	158.04	QP	21.02	0.69	21.71	54.93	-33.22
Horizontal	335.55	QP	23.10	2.48	25.58	54.93	-29.35
Horizontal	367.56	QP	23.79	2.78	26.57	54.93	-28.36
Horizontal	399.57	QP	24.58	1.64	26.22	54.93	-28.71
Horizontal	730.34	QP	31.46	2.41	33.87	54.93	-21.06
Horizontal	911.73	QP	33.92	10.62	44.54	54.93	-10.39

Remark: Corr. Factor = Antenna Factor + Cable Loss

Antenna Polarization	Frequency (MHz)	Spectrum Analyzer Detector	Correction Factor (dB/m)	Reading (dBμV)	Corrected Reading (dBμV/m)	Limit @ 3 m (dBμV/m)	Margin (dB)
Vertical	159.01	QP	21.13	0.70	21.83	54.93	-33.10
Vertical	315.18	QP	22.64	1.97	24.61	54.93	-30.32
Vertical	372.41	QP	24.00	1.24	25.24	54.93	-29.69
Vertical	644.01	QP	30.03	2.58	32.61	54.93	-22.32
Vertical	729.37	QP	31.41	4.89	36.30	54.93	-18.63
Vertical	911.73	QP	33.92	7.15	41.07	54.93	-13.86

Remark: Corr. Factor = Antenna Factor + Cable Loss

**TEST REPORT**

**3.3.3 Measurement results: frequency above 1GHz**

Temperature: 22 °C  
 Relative Humidity: 60 %  
 Test date: 2022/3/4

Frequency (MHz)	Spectrum Analyzer Detector	Antenna Polarization (H/V)	Correction Factor (dB/m)	Reading (dBμV)	Corrected Reading (dBμV/m)	Limit @ 3 m (dBμV/m)	Margin (dB)
1519	PK	H	31.43	21.96	53.39	74.00	-20.61
1519	PK	V	31.43	20.66	52.09	74.00	-21.91

Remark: Correction Factor = Antenna Factor + Cable Loss + High Pass Filter Loss

**TEST REPORT**

**4. Measured bandwidth FCC 15.231(C)**

Temperature: 22 °C  
Relative Humidity: 61 %  
Test date: 2022/3/2

The bandwidth of the emission shall be no wider than 0.25% of the center frequency for devices operating above 70MHz and below 900MHz. Bandwidth is determined at the points 20dB down from the modulated carrier.

Frequency (MHz)	20dB Occupied Bandwidth (MHz)	Limit (MHz)	Result
303.80	0.042	0.760	Pass

## 20dB Occupied Bandwidth





## 5. Timing requirement of operated transmitter

A manually operated transmitter shall employ a switch that will automatically deactivate the transmitter within not more than 5 seconds of being released.

Frequency (MHz)	Transmission Time (s)	Limit (s)	Result
303.80	0.4250	< 5	Pass

### Transmitter Pulse Duration



**6. Conducted emission FCC 15.207**

Since the EUT is not connected to AC source, therefore, the test can be waived.

**Appendix A: Test equipment list**

Test Equipment	Brand	Model No.	Serial No.	Calibration Date	Next Calibration Date
Signal Analyzer	Rohde & Schwarz	ESR7	101822	2021/08/16	2022/08/15
Signal Analyzer	Agilent	N9030A	MY51380492	2021/08/17	2022/08/16
Active Loop Antenna	SCHWARZBECK MESS-ELEKTRONIC	FMZB1519	1519-067	2021/04/14	2022/04/13
Broadband Antenna	SHWARZBECK	VULB 9168	9168-172	2022/01/20	2023/01/19
Horn Antenna	SHWARZBECK	BBHA 9120 D	9120D-456	2022/01/21	2023/01/20
966-2(A) Cable	SUHNER	SUCOLEX 104	295105/4	2021/03/08	2022/03/07
966-2(B) Cable	SUHNER	SUCOFLEX 104P	CB0005	2021/03/08	2022/03/07
20dB Attenuator	Mini-Circuits	BW-S20W5+	N/A	2021/05/26	2022/05/25
966-2_3m Semi-Anechoic Chamber	966_2	CEM-966_2	N/A	2022/01/14	2023/01/13
Test software	Audix	e3	V9	NCR	NCR

Note: No Calibration Required (NCR).

**Appendix B: Measurement Uncertainty**

This uncertainty represents an expanded uncertainty expressed at approximately the 95 % confidence level using a coverage factor of  $k=2$ .

<b>Item</b>	<b>Uncertainty</b>
Timing requirement of operated transmitter	1.27 dB
Occupied Bandwidth	7.78 %
Radiated disturbances from 9kHz~30MHz in a semi-anechoic chamber at a distance of 3m	3.70 dB
Vertically polarized radiated disturbances from 30MHz~1GHz in a semi-anechoic chamber at a distance of 3m	5.16 dB
Horizontally polarized radiated disturbances from 30MHz~1GHz in a semi-anechoic chamber at a distance of 3m	5.02 dB
Radiated disturbances from 1GHz~18GHz in a semi-anechoic chamber at a distance of 3m	5.17 dB
AC Power Line Conducted Emission	3.08 dB