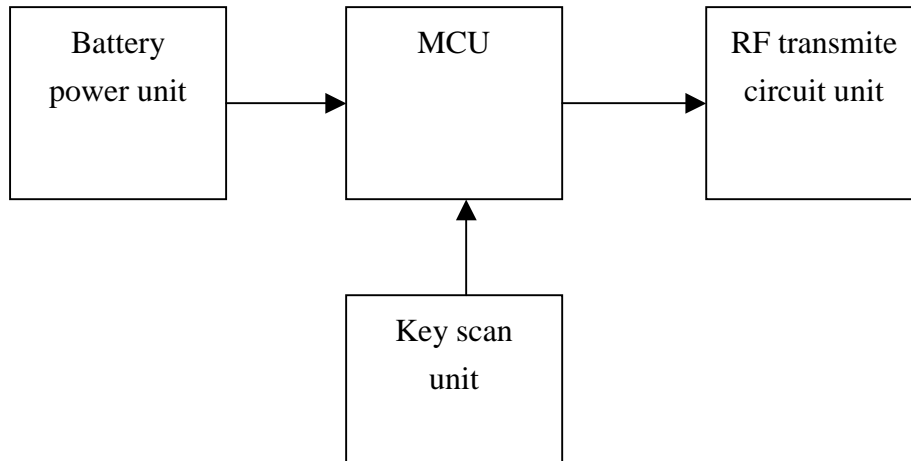


1001D-A Theory description

Date:2005-5-9



Theory description:

1. System supply by battery and MCU control this system.
2. When user get user's command from key scan unit. There are two command "ON" or "OFF". These commands can let receiver switch 'on' or "off" by 1001D-A send out RF signal from RF transmits circuit unit. .