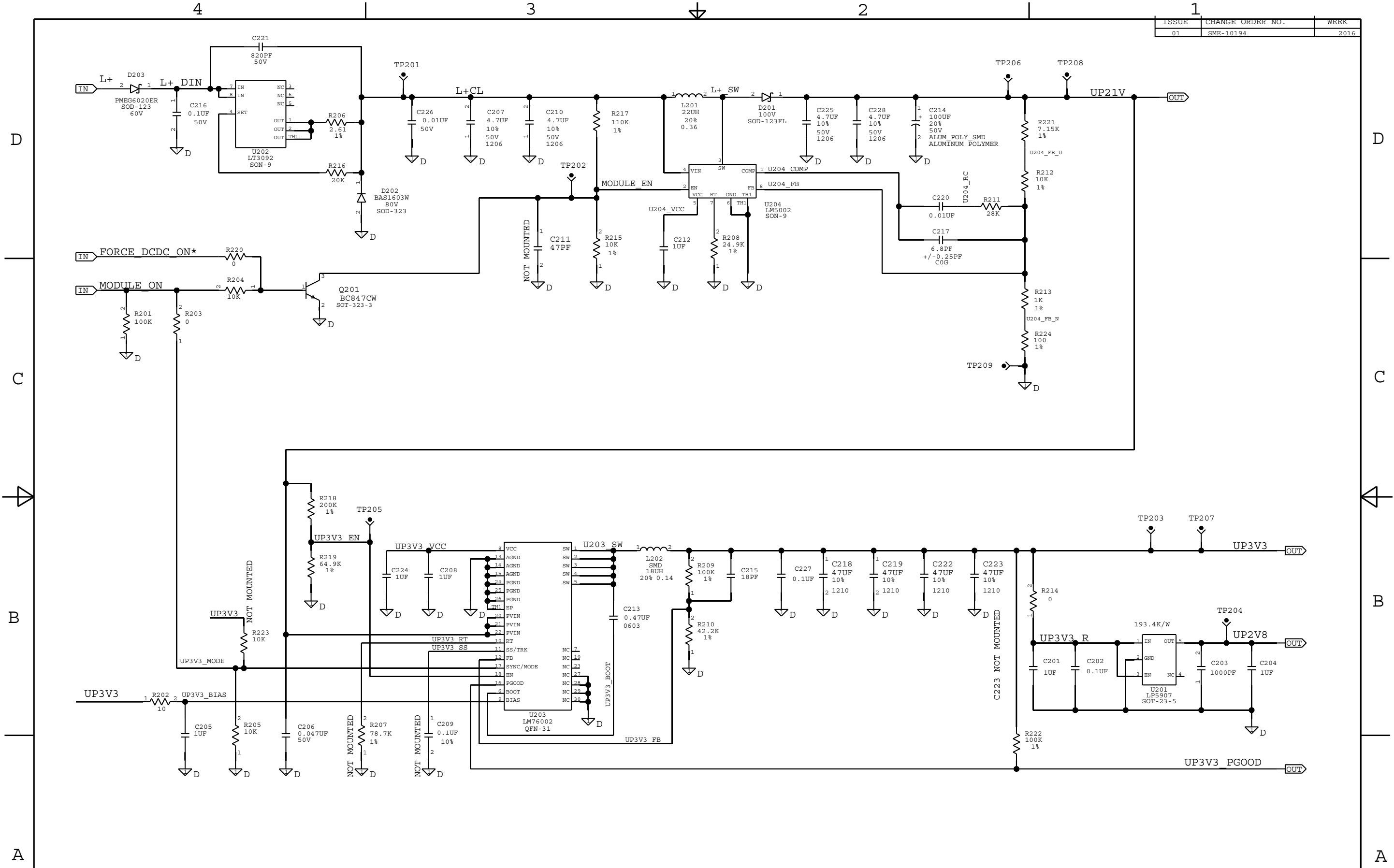


ISSUE	CHANGE ORDER NO.	WEEK
01	SME-10194	2016



FORM REV AA

EMERSON

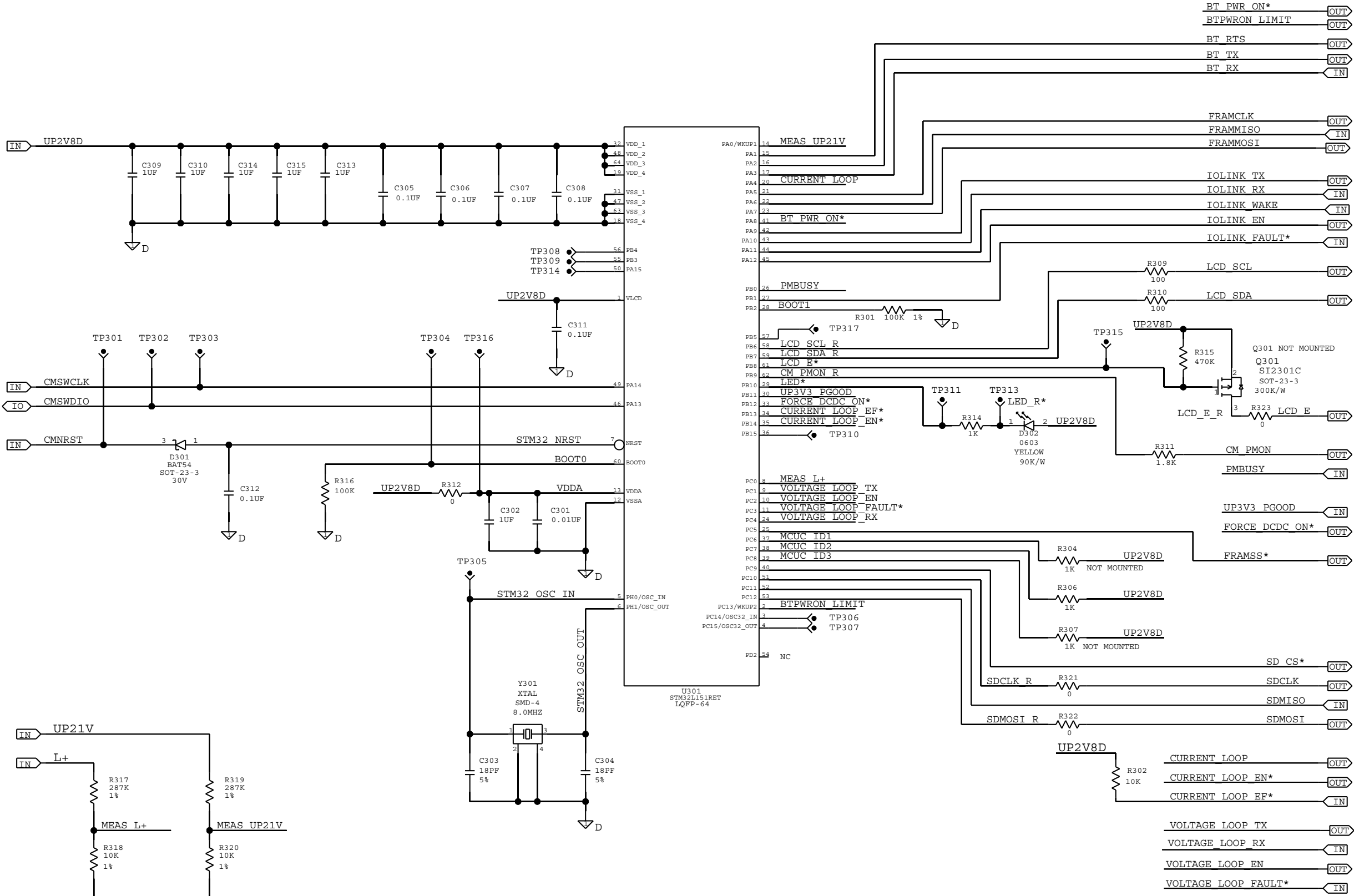
LAYOUTVAGEN 1,
S-435 33 MOLNLYCKE
SWEDEN

ISSUED BY EEM-AS-C	WEEK 2016	PRODUCT CODE 30	SIZE A3	DRAWING NO.	ISSUE
APPROVED BY EEM	WEEK 2016	DOC. TYPE 01		D7000004-912	01
CAD MAINTAINED, (CADENCE)				SHEET	2 OF 5

DESIGN: dcdc_2
LAST MODIFIED: Thu Jun 04 09:52:17 2020

2020-06-16 Electronic Master - Printed Copies Uncontrolled - Emerson Proprietary

ISSUE	CHANGE ORDER NO.	WEEK
01	SME-10194	2016



LAYOUTVAĞEN 1,
S-435 33 MOLNLYCKE
SWEDEN

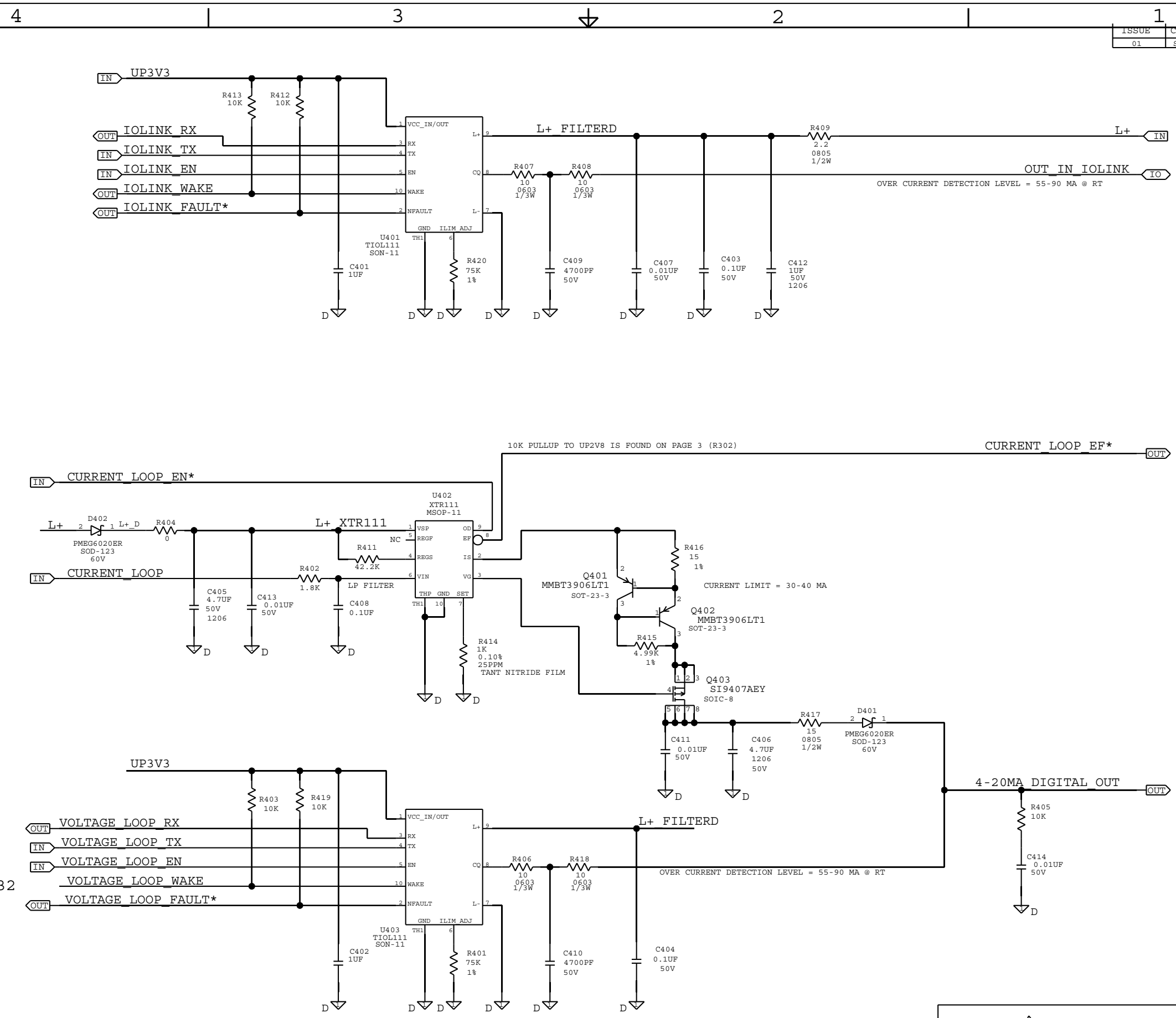
ISSUED BY	EEM-AS-C	WEEK	2016	PRODUCT CODE	30	SIZE	A3	DRAWING NO.		ISSUE
APPROVED BY	EEM	WEEK	2016	DOC. TYPE	01				D7000004-912	01
CAD MAINTAINED, (CADECENCE)								SHEET	3 OF 5	

DESIGN: mcu_c
LAST MODIFIED: Thu Jun 04 09:52:17 2020

2020-06-16 Electronic Master - Printed Copies Uncontrolled - Emerson Proprietary

FORM REV AA

ISSUE	CHANGE ORDER NO.	WEEK
01	SME-10194	2016



NC TO STM32

10K PULLUP TO UP2V8 IS FOUND ON PAGE 3 (R302)

OVER CURRENT DETECTION LEVEL = 55-90 MA @ RT

CURRENT LIMIT = 30-40 MA

OVER CURRENT DETECTION LEVEL = 55-90 MA @ RT



LAYOUTVAGEN 1,
S-435 33 MOLNLYCKE
SWEDEN

ISSUED BY	EEM-AS-C	WEEK	2016	PRODUCT CODE	30	SIZE	A3	DRAWING NO.		ISSUE	
APPROVED BY	EEM	WEEK	2016	DOC. TYPE	01				D7000004-912	01	
CAD MAINTAINED, (CADEENCE)								SHEET	4 OF 5		

DESIGN: com
LAST MODIFIED: Thu Jun 04 09:52:18 2020

2020-06-16 Electronic Master - Printed Copies Uncontrolled - Emerson Proprietary

FORM REV AA

4

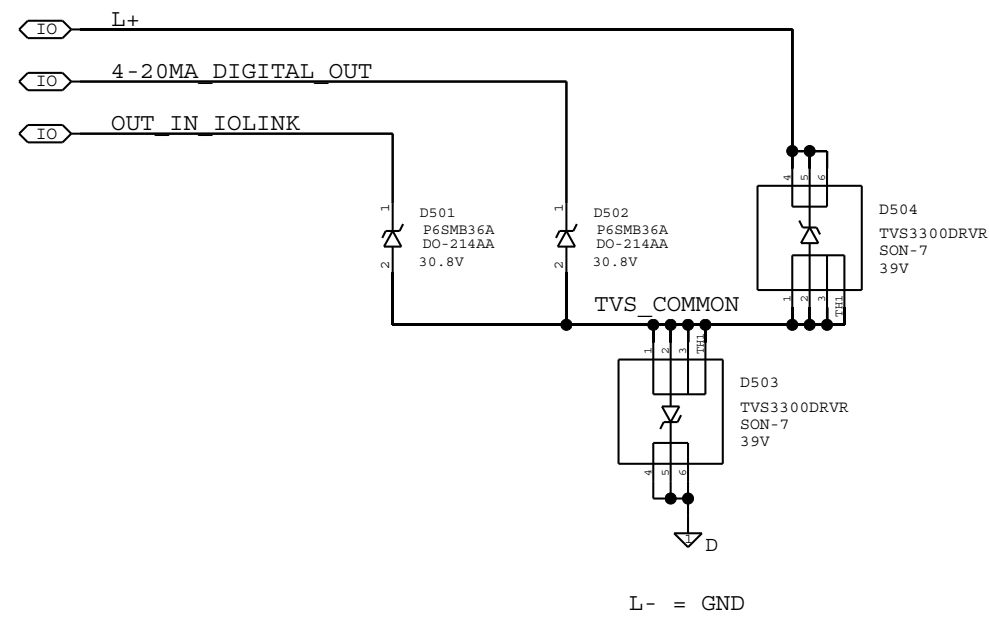
3

2

1

ISSUE	CHANGE ORDER NO.	WEEK
01	SME-10194	2016

INPUT PROTECTION



D
C
B
A

D
C
B
A



LAYOUTVAGEN 1,
S-435 33 MOLNLYCKE
SWEDEN

ISSUED BY	EEM-AS-C	WEEK	2016	PRODUCT CODE	30	SIZE	A3	DRAWING NO.		ISSUE	
APPROVED BY	EEM	WEEK	2016	DOC. TYPE	01			D7000004-912	01		
CAD MAINTAINED, (CADENCE)								SHEET	5 OF 5		

DESIGN: input_protection
LAST MODIFIED: Mon Jun 15 14:06:27 2020

FORM REV AA