



IDS-XXXXXX

CMF SPECIFICATION
WIN019E

REVISION: 04 2020-09-11

REVISION NOTES:
01: remove Anti-coating/ adjust RC icon
02: adjust graphics location
03: change "charging" to "charger"
04: add EPA number

SCALE:1:1 DESIGNER: [RC]

COLOR STANDARDS USED:

WHITE SKU

ABS+PC
COLOR: SNOWCAP WHITE
TEXTURE: VDI 21

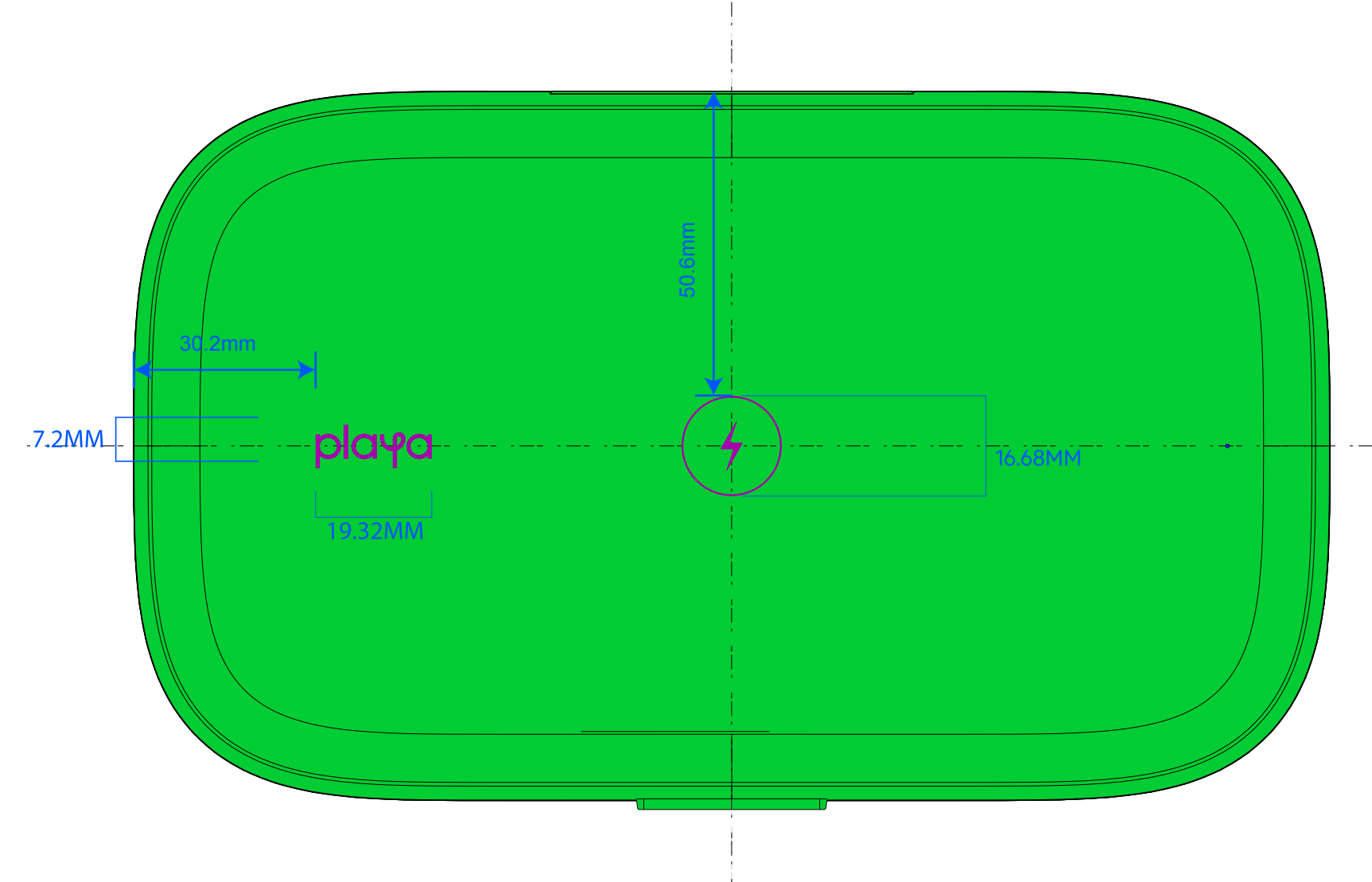
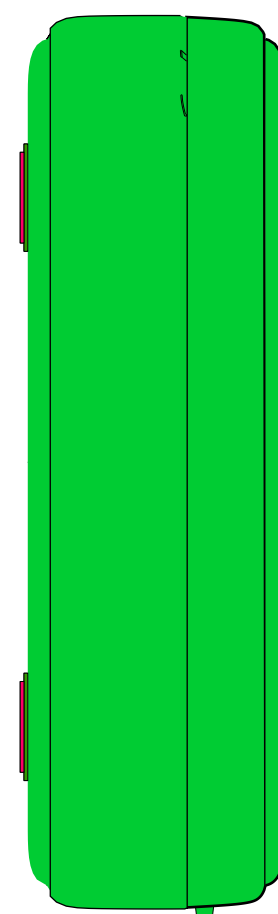
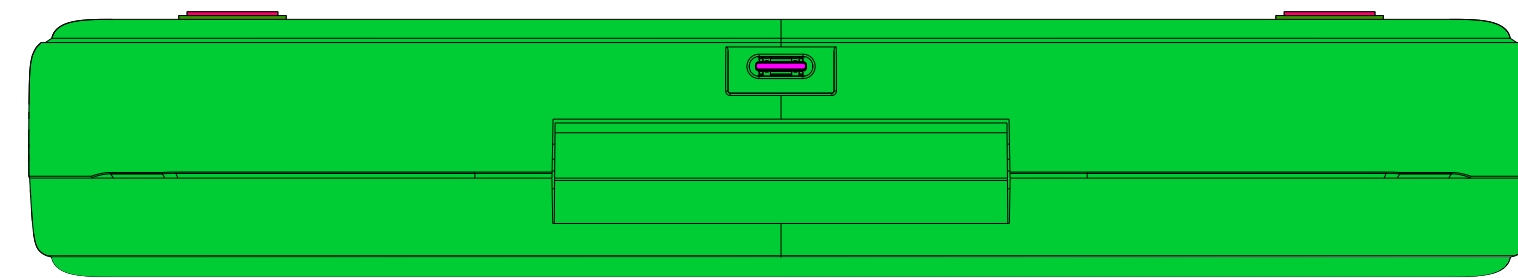
LED LIGHTPIPE
MATERIAL: PC
COLOR: WATER CLEAR
TEXTURE: VDI 21 ON VISIBLE SURFACE, HIGH POLISH ON ALL OTHER PARTS

DIECUT SILICONE SHEET TEXTURED VDI 21,
COLOR: SNOWCAP WHITE

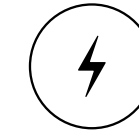
LOGO: SILK SCREEN
PRINT COLOR: PANTONE 428C

TYPE C PLASTIC MODULE: WHITE

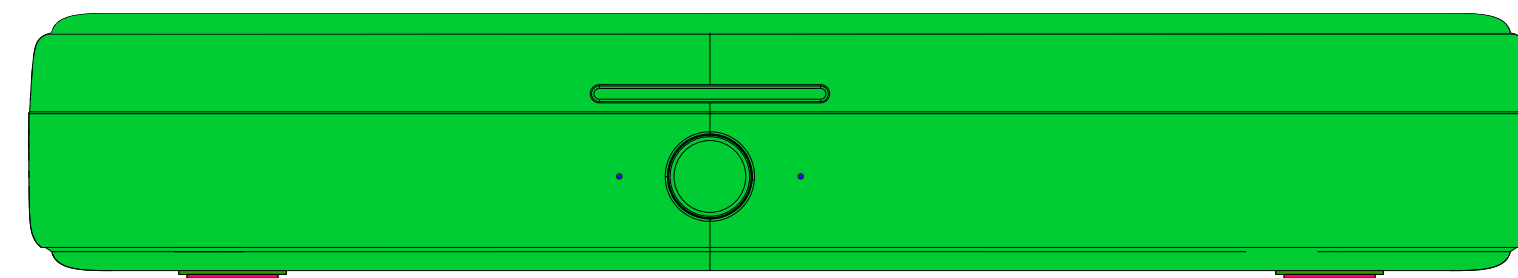
DO NOT MAKE CHANGES WITHOUT
PERMISSION FROM BELKIN IDG.



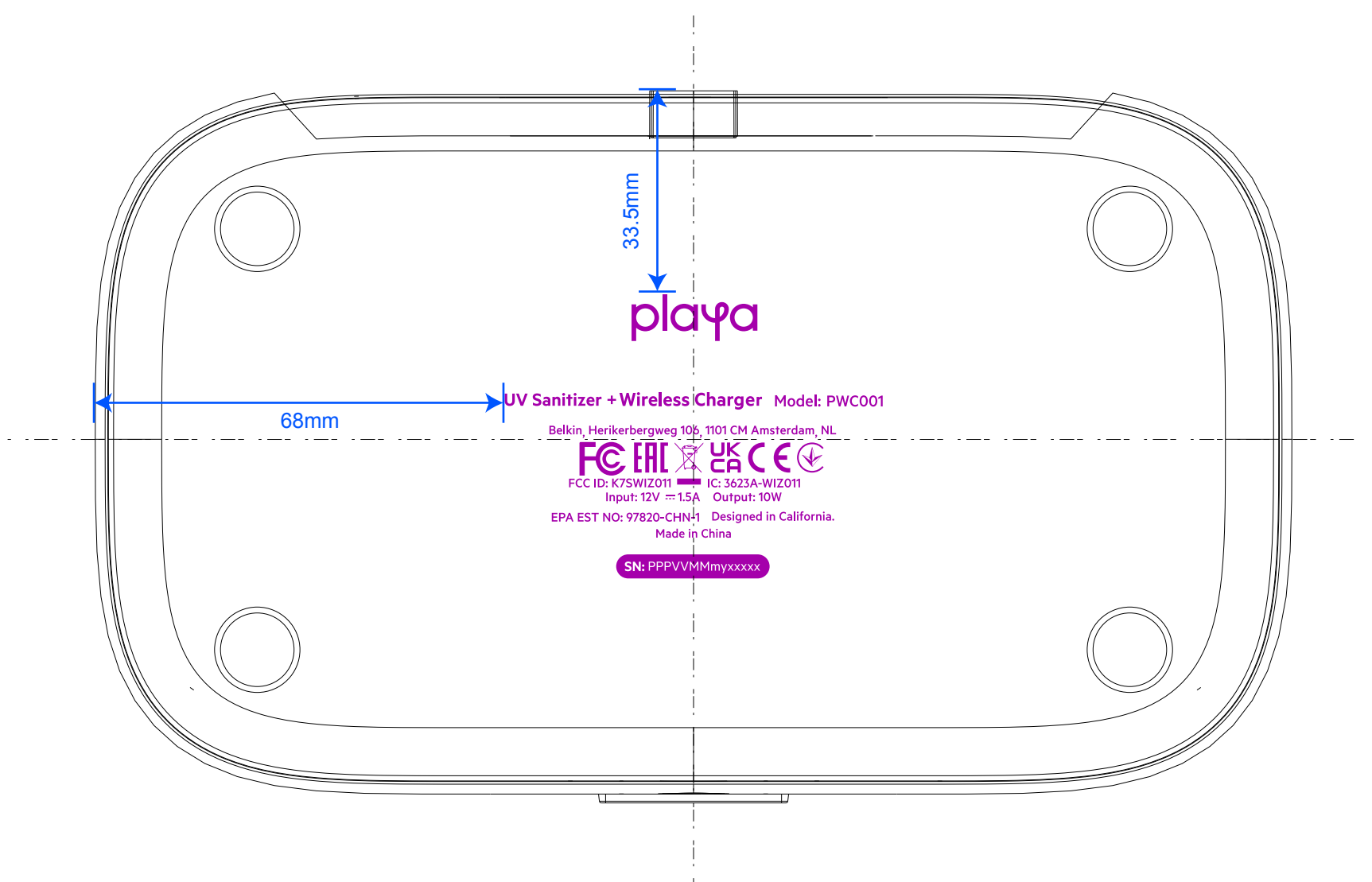
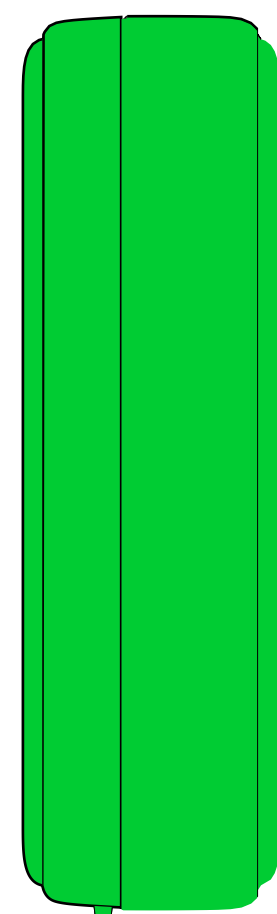
playa
19.32x7.2mm



16.68x16.68mm

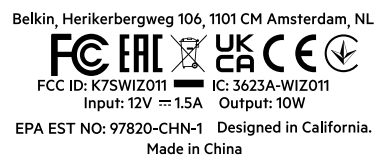


白色外壳 428C印字



playa

UV Sanitizer + Wireless Charger Model: PWC001



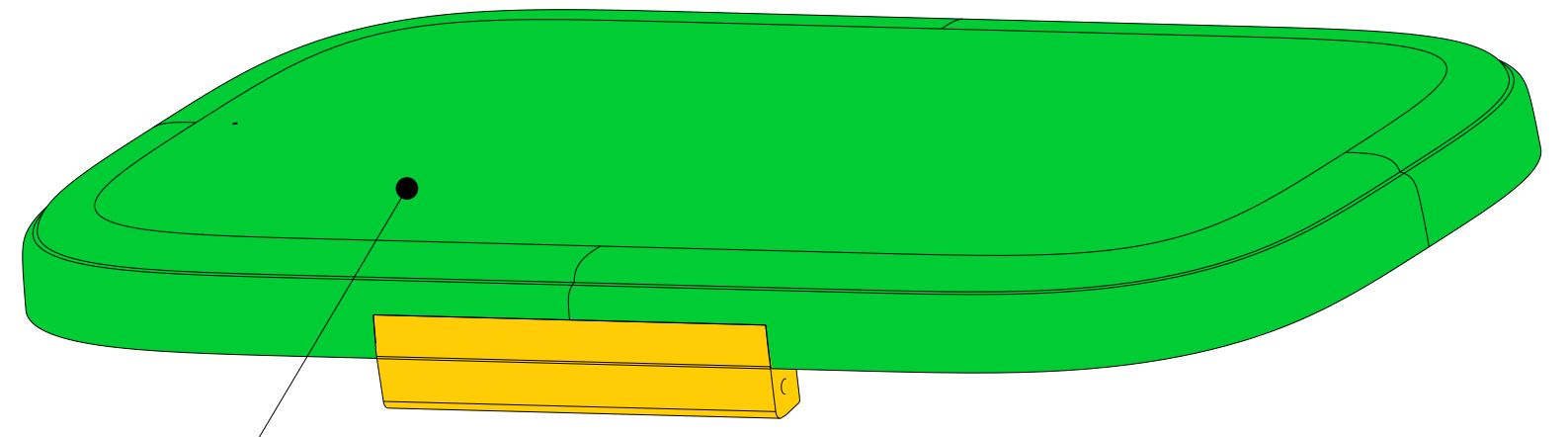
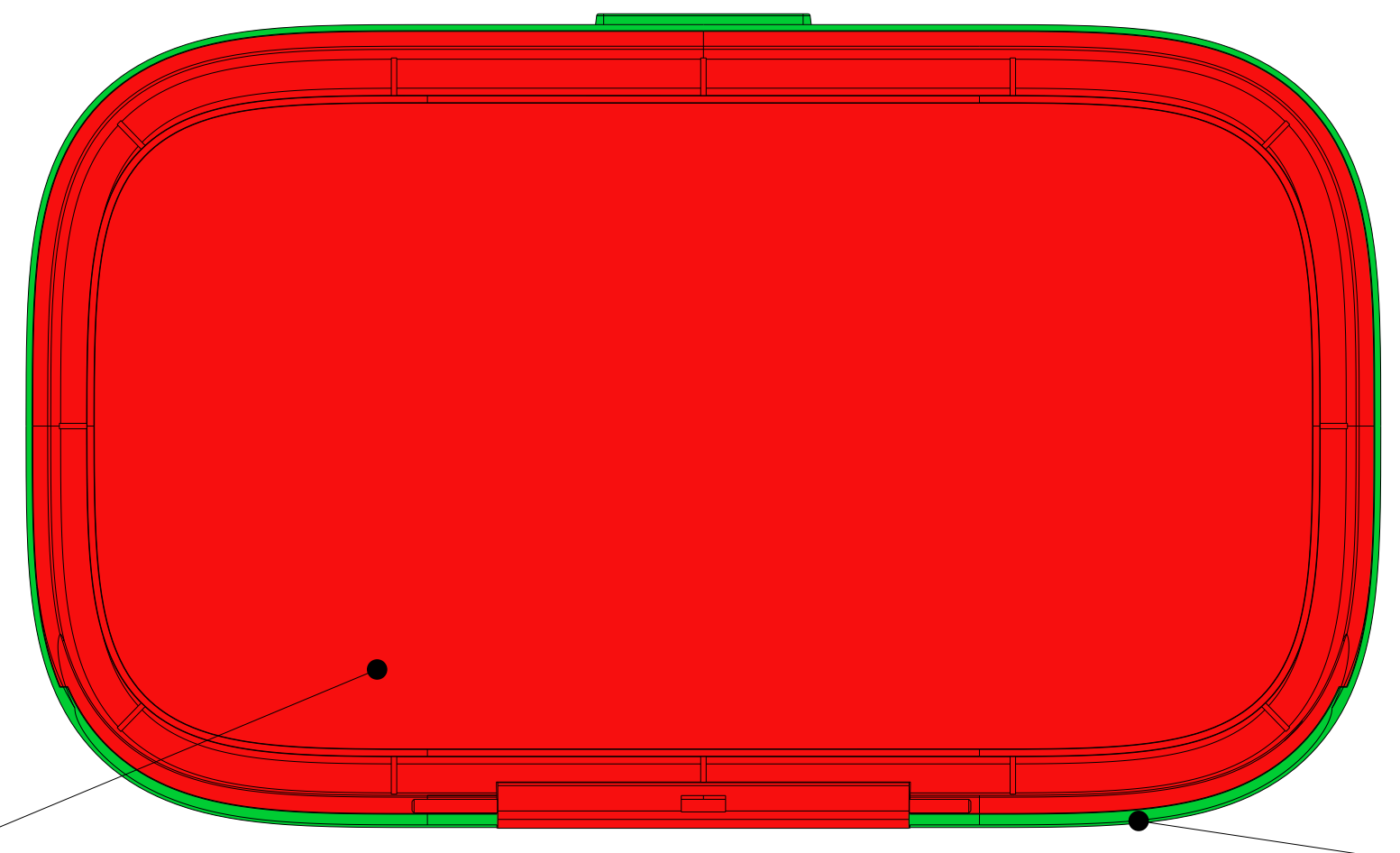
FCC ID: KFSWZ011 IC: 3623A-WZ011
Input: 5V Output: 5V

EPA EST NO: 97820-CHN-1 Designed in California,
Made in China

SN: PPPVMMmyxxxxx 我可囉囉

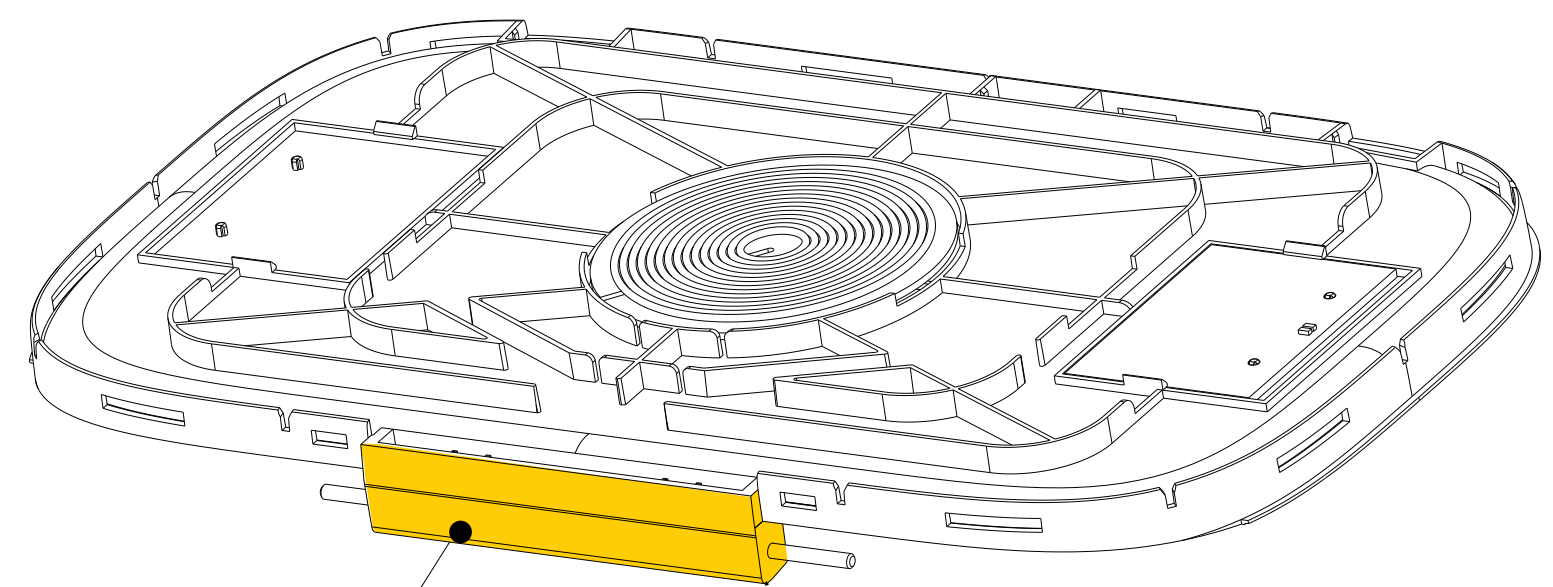
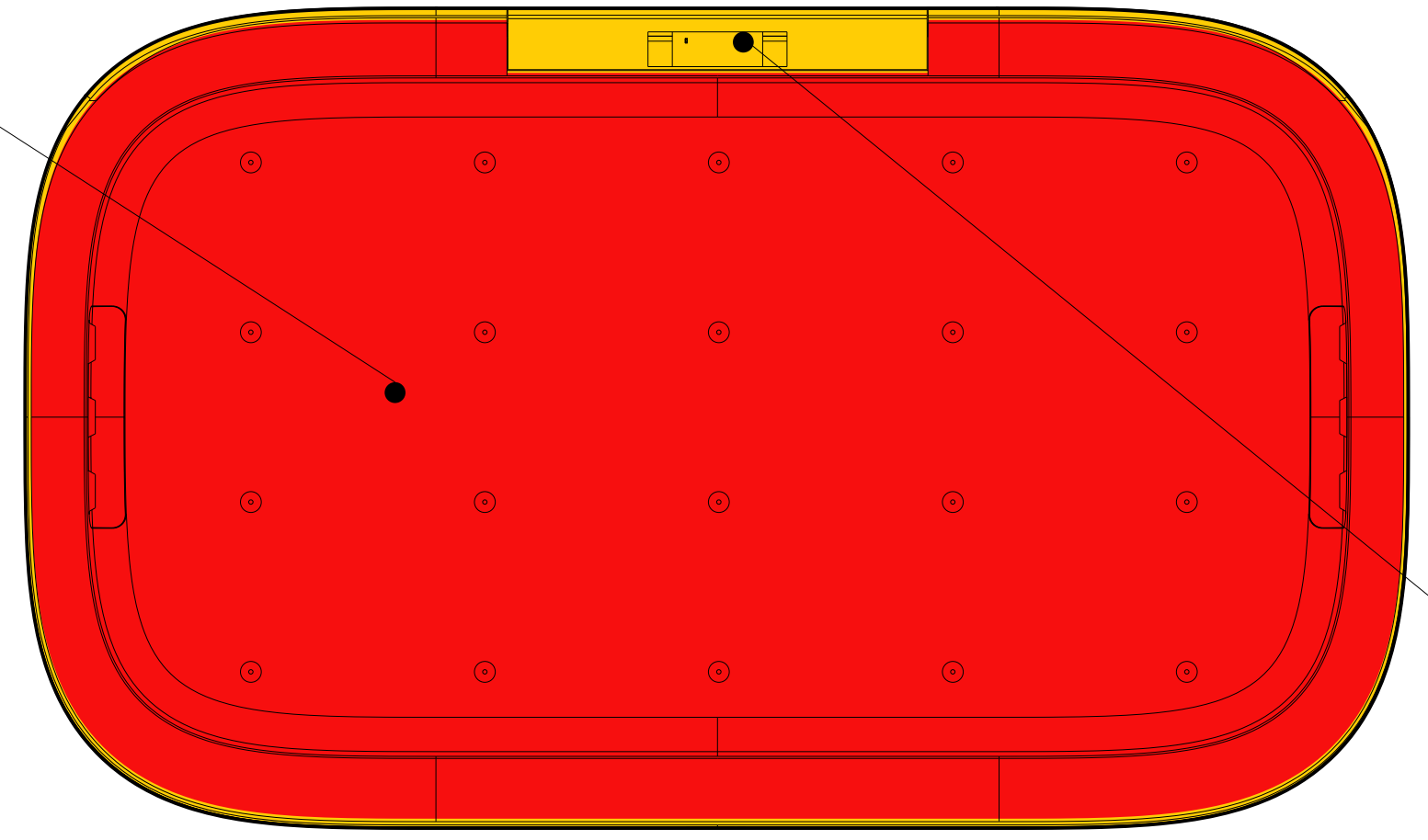
62.86x47.3mm

PPP: Product Code/产品代码, 此产品代码 35H (固定)
VV: Product Version Code/产品版本号 10 (目前固定, 后续若有变更再变动)
MM: Manufacturer Code/工厂代码 (如: CL--海能深圳工厂, DJ--深圳安福工厂,
ER--遂宁工厂, EV--越南工厂) 随订单变化
m: Month (1-9, A-C for Jan-Sep, Oct-Dec, 1 digit)/生产月份, 只有一位数, 1-9月份用1-9的数字表示,
10月份开始用字母表示, A:10月, B:十一月, C:十二月
y: Year (2010 to 2019 = 0 - 9, 2020 and beyond = A - Z, excluding the usage of "I", "O" and "Q")
(生产年份: 2010-2019用0-9表示, 2020年开始从字母A-Z开始编, I, O and Q这三个字母不能用)
xxxxx: Monthly Unit Count (00001 to 99999, then A0001 to Z9999, excluding the usage
of "I", "O" and "Q") 流水号从00001到99999, 超过99999就用A0001到Z9999表示,
I, O and Q这三个字母不能用



ABS+PC
COLOR: SNOWCAP WHITE
TEXTURE: Polished

ABS+PC
COLOR: SNOWCAP WHITE
TEXTURE: VDI 21



ABS+PC
COLOR: SNOWCAP WHITE
TEXTURE: VDI 21