

-

REDONDO - SNOWCAP WHITE
CMFG SPECIFICATION

REVISION: v2.0 2020-10-26

REVISION NOTES:
Rev: V1.7 Updated the rules of SN number .
Rev: V2.0 Updated the RC graphics of WAVE#1 and WAVE#2 .
UPDATED CERTS. STILL NEED TO BE VERIFIED

DESIGNER: [PAER S]

BASE TOP ENCLOSURE - SILICONE (LSR)
COLOR: **SNOWCAP WHITE** SILICONE. (SEE SAMPLE FOR REFERENCE)
TEXTURE: MATCH SILICONE, WITH MATTE ANTISTATIC COATING

STEM - PLATED DIECAST ZINC
COLOR: CHROME
TEXTURE: POLISHED SP1-A1

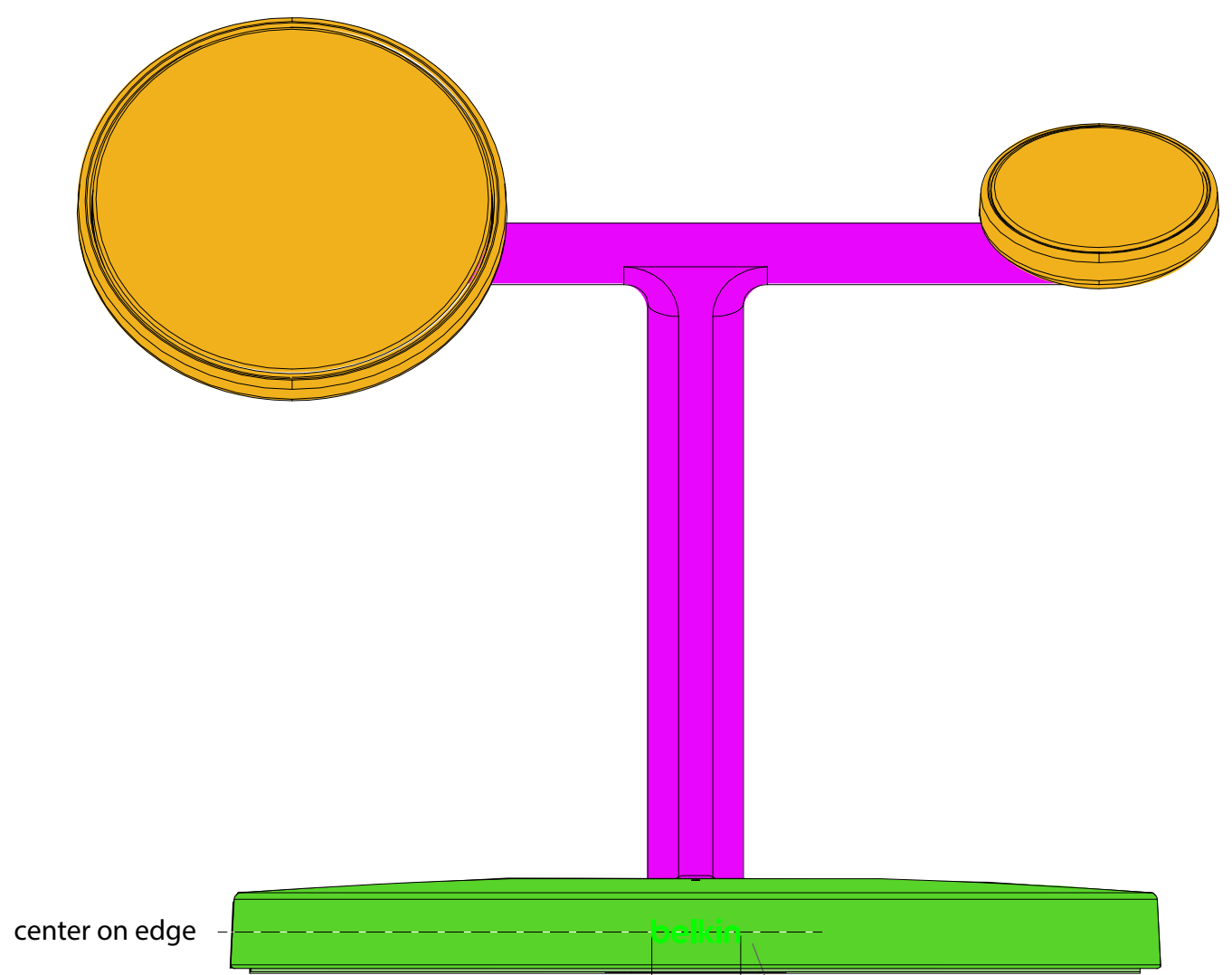
STEM BACK COVER - PC
COLOR: **SNOWCAP WHITE** (SEE SAMPLE FOR REFERENCE)
TEXTURE: YICK SANG - 20043 C (MATTE)

CHARGING PUCK HOUSINGS - PC
COLOR: **SNOWCAP WHITE** (SEE SAMPLE FOR REFERENCE)
TEXTURE: YICK SANG - 20043 C (MATTE)

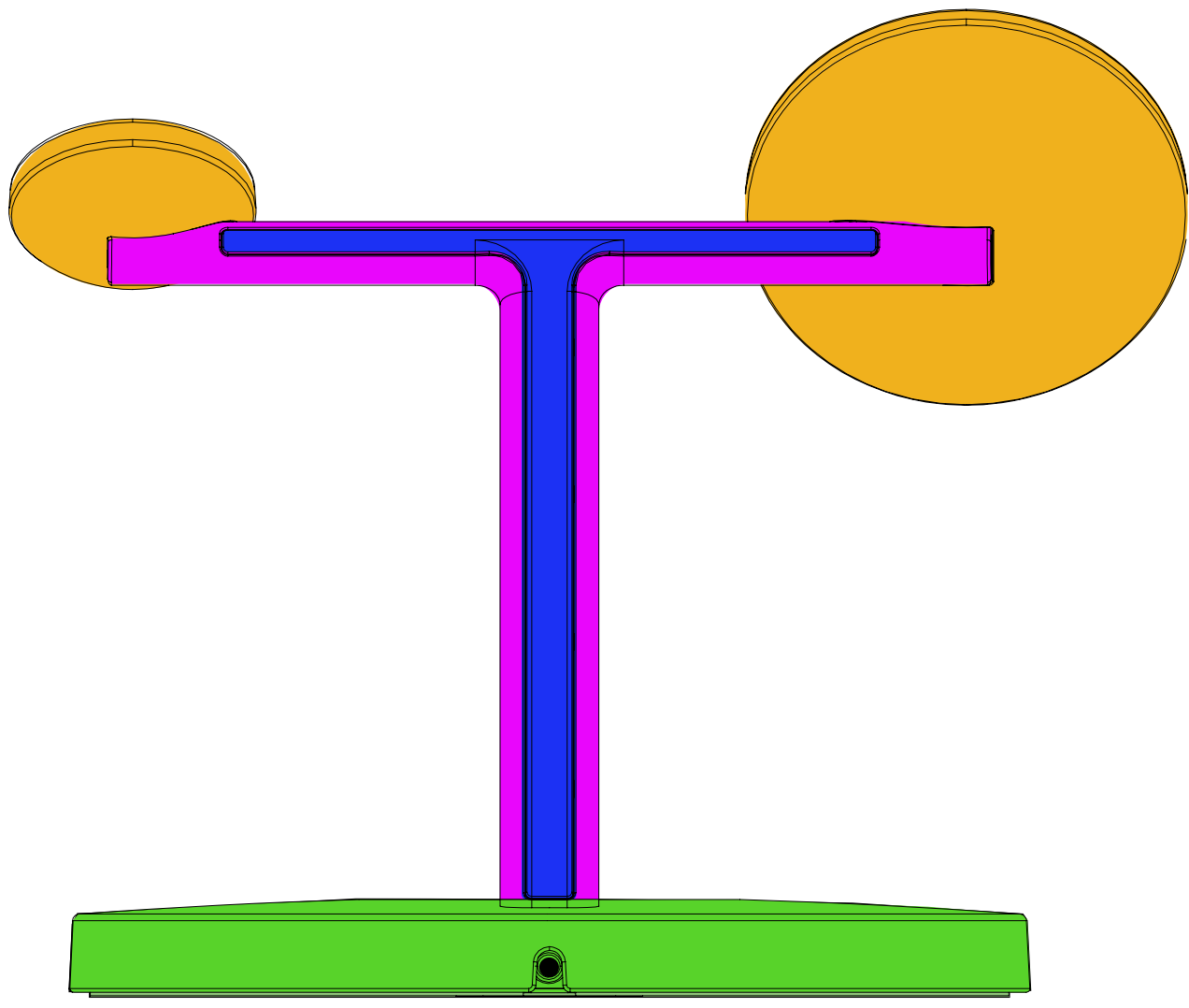
PSU CABLE OVERMOLD
COLOR: SNOWCAP WHITE
TEXTURE: TBD (MATCH OTHER SKU'S)

DIE-CAST ZINC BASE
COATING: E-COAT / LOCALLY PAINTED (MATCH SILICONE PAD)
SNOWCAP WHITE

DO NOT MAKE CHANGES WITHOUT PERMISSION FROM BELKIN IDG.



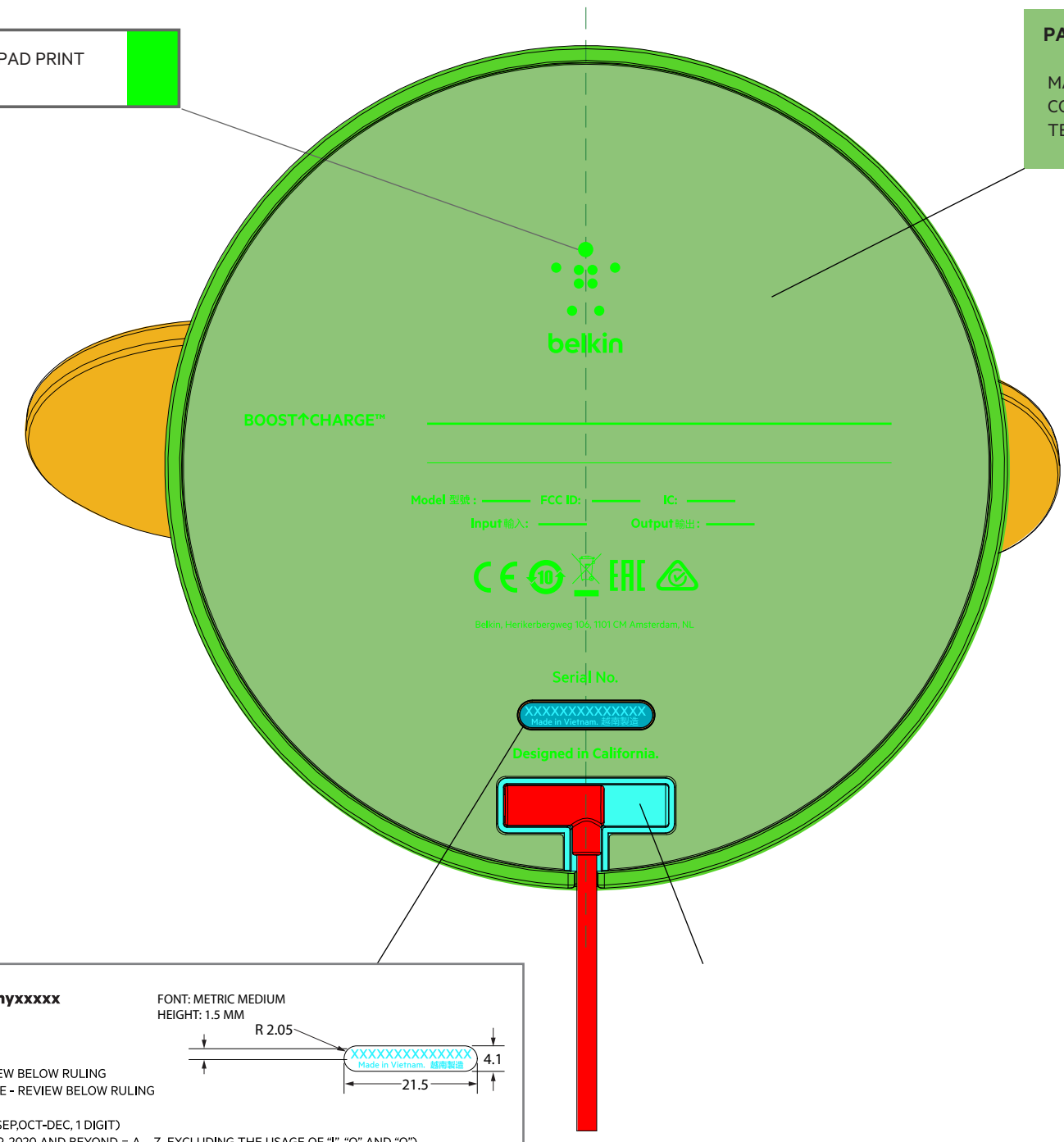
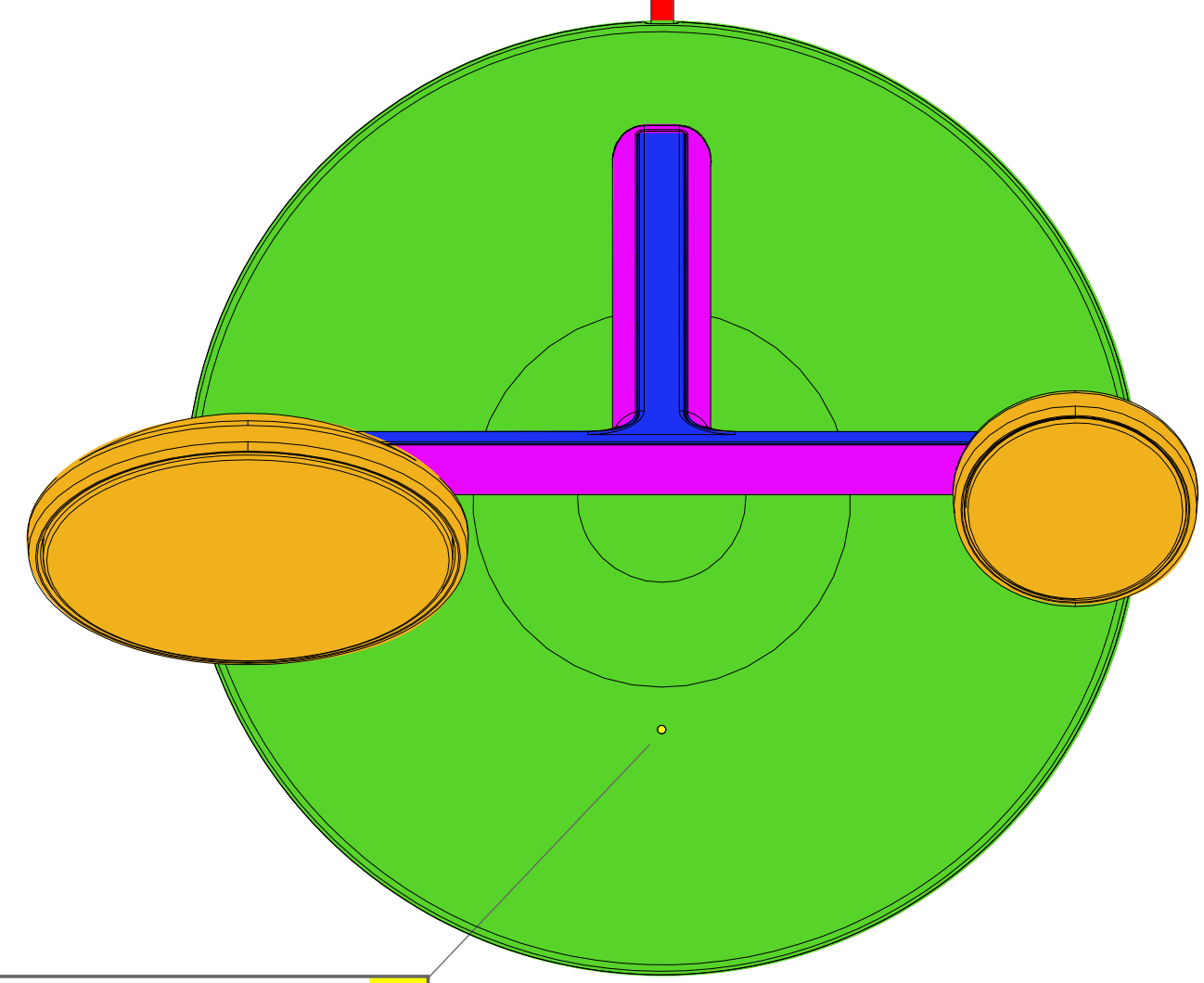
LOGO PAD PRINT
COLOR: PANTONE 428C



Light pipe
Material: CLEAR plastic
Color: YS 20040-A (DULL) on visible surface only.
All other parts of lightpipe should be high polish

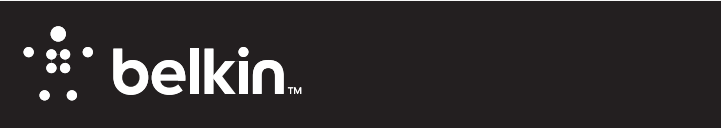
SILICONE RUBBER FOOT PAD PRINT
COLOR: PANTONE 428C

PAD PRINTED RUBBER FOOT
MATERIAL - SILICONE
COLOR: **SNOWCAP WHITE**
TEXTURE: MATTE UNCOATED SILICONE



Serial No: **PPPVMMmyxxxx**
FONT: METRIC MEDIUM
HEIGHT: 1.5 MM

PP: PRODUCT CODE - REVIEW BELOW RULING
VV: PRODUCT VERSION CODE - REVIEW BELOW RULING
MM: MANUFACTURER CODE
m: MONTH (1-9, A-C for JAN-SEP, OCT-DEC, 1 DIGIT)
y: YEAR (2010 TO 2019 = 0 - 9, 2020 AND BEYOND = A - Z, EXCLUDING THE USAGE OF "I", "O" AND "Q")
xxxx: MONTHLY UNIT COUNT (00001 TO 99999, THEN A0000 TO Z9999, EXCLUDING THE USAGE OF "I", "O" AND "Q")



-

REDONDO - MIDNIGHT BLACK
CMFG SPECIFICATION

REVISION: v2.0 2020-10-26

REVISION NOTES:
Rev: V1.7 Updated the rules of SN number .
Rev: V2.0 Updated the RC graphics of WAVE#1 and WAVE#2 .
UPDATED CERTS. STILL NEED TO BE VERIFIED

DESIGNER: [PAER S]

BASE TOP ENCLOSURE - SILICONE (LSR)
COLOR: **MIDNIGHT BLACK** SILICONE. (SEE SAMPLE FOR REFERENCE)
TEXTURE: MATCH SILICONE, WITH MATTE ANTISTATIC COATING

STEM - PLATED DIECAST ZINC
COLOR: DARK CHROME / BLACK CHROME
TEXTURE: POLISHED SP1-A1

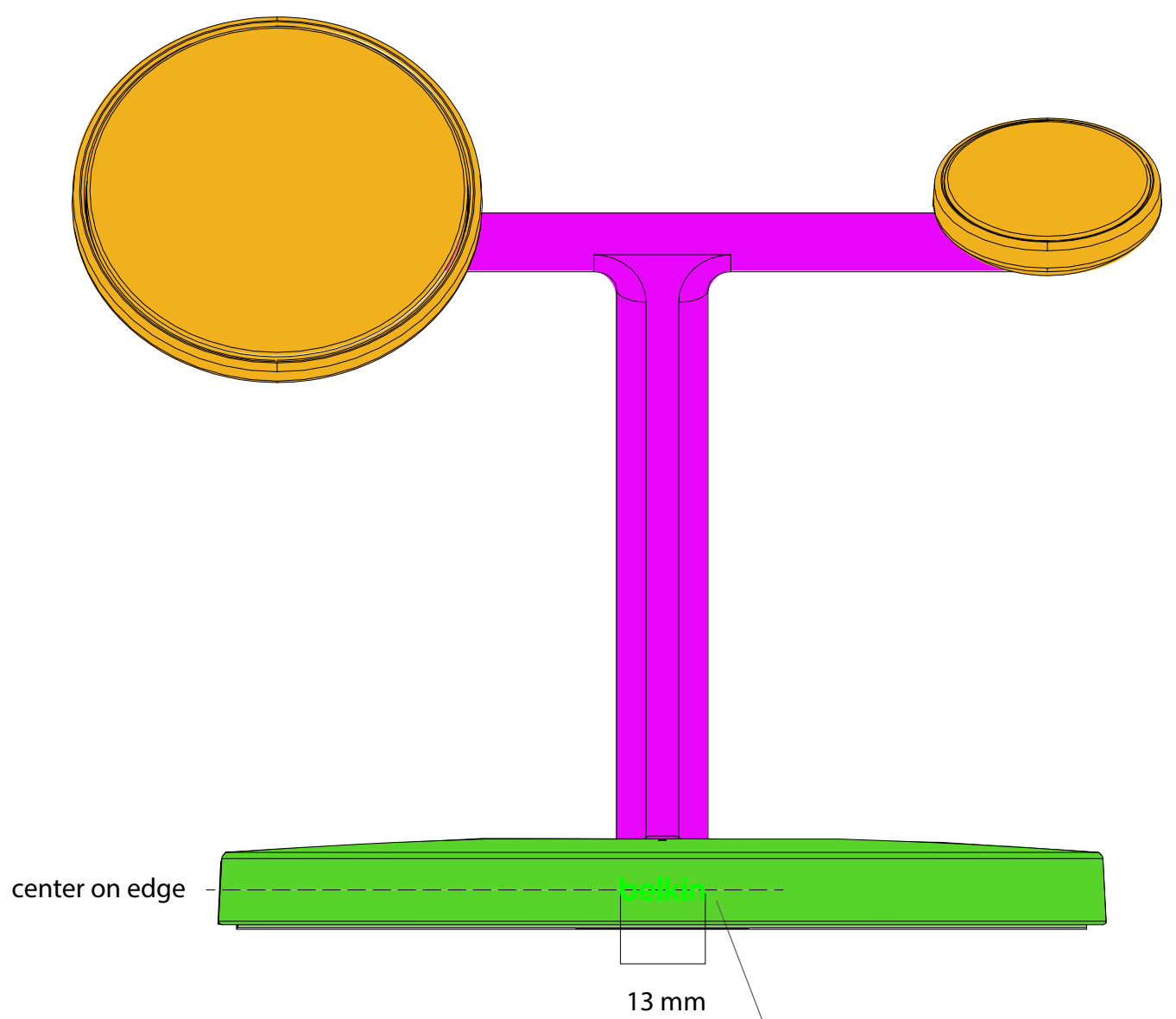
STEM BACK COVER - PC
COLOR: **MIDNIGHT BLACK** (SEE SAMPLE FOR REFERENCE)
TEXTURE: YICK SANG - 20043 C (MATTE)

CHARGING PUCK HOUSINGS - PC
COLOR: **MIDNIGHT BLACK** (SEE SAMPLE FOR REFERENCE)
TEXTURE: YICK SANG - 20043 C (MATTE)

PSU CABLE OVERMOLD
COLOR: **MIDNIGHT BLACK**
TEXTURE: TBD (MATCH OTHER SKU'S)

DIE-CAST ZINC BASE
COATING: E-COAT / LOCALLY PAINTED (MATCH SILICONE PAD)
MIDNIGHT BLACK

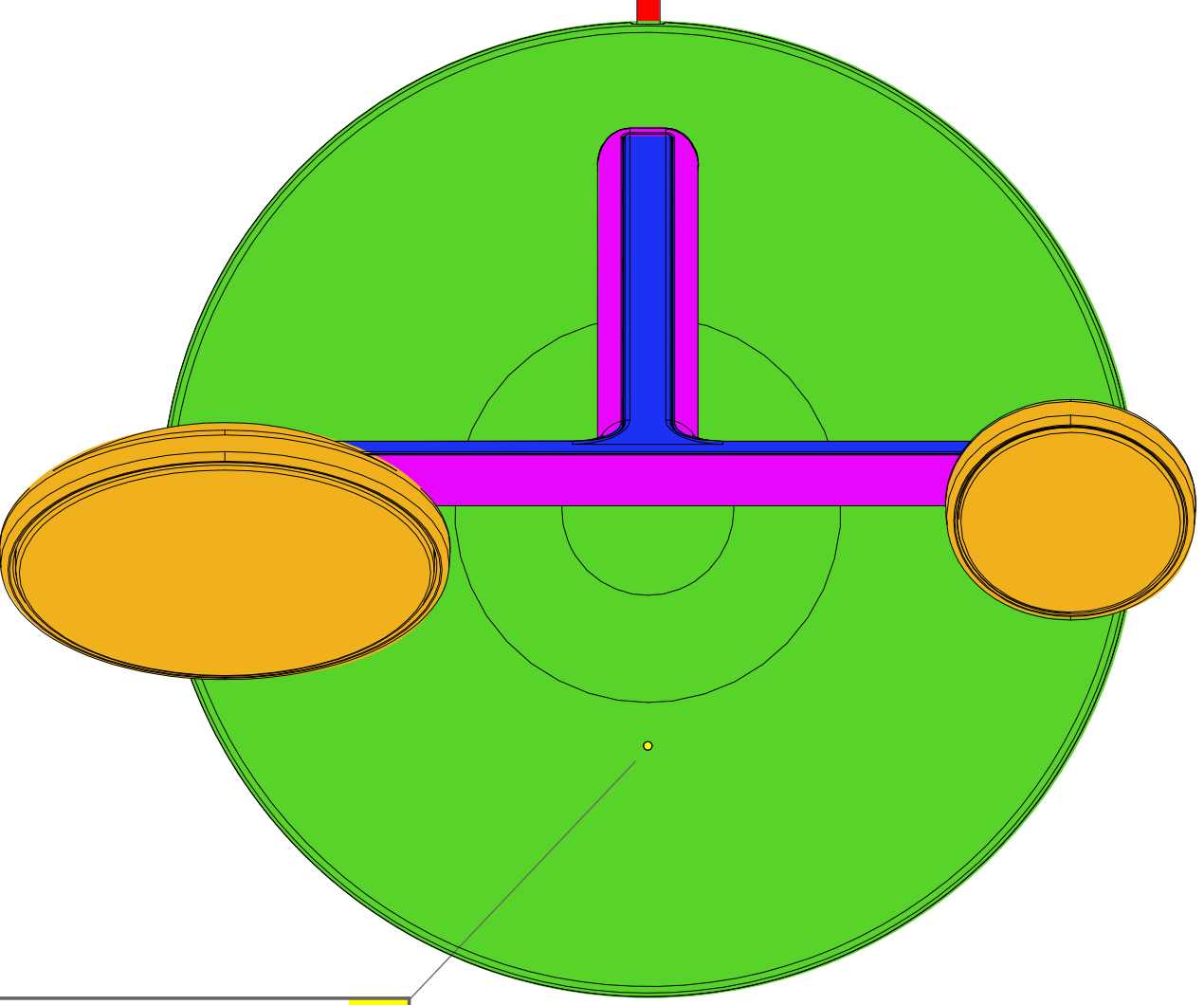
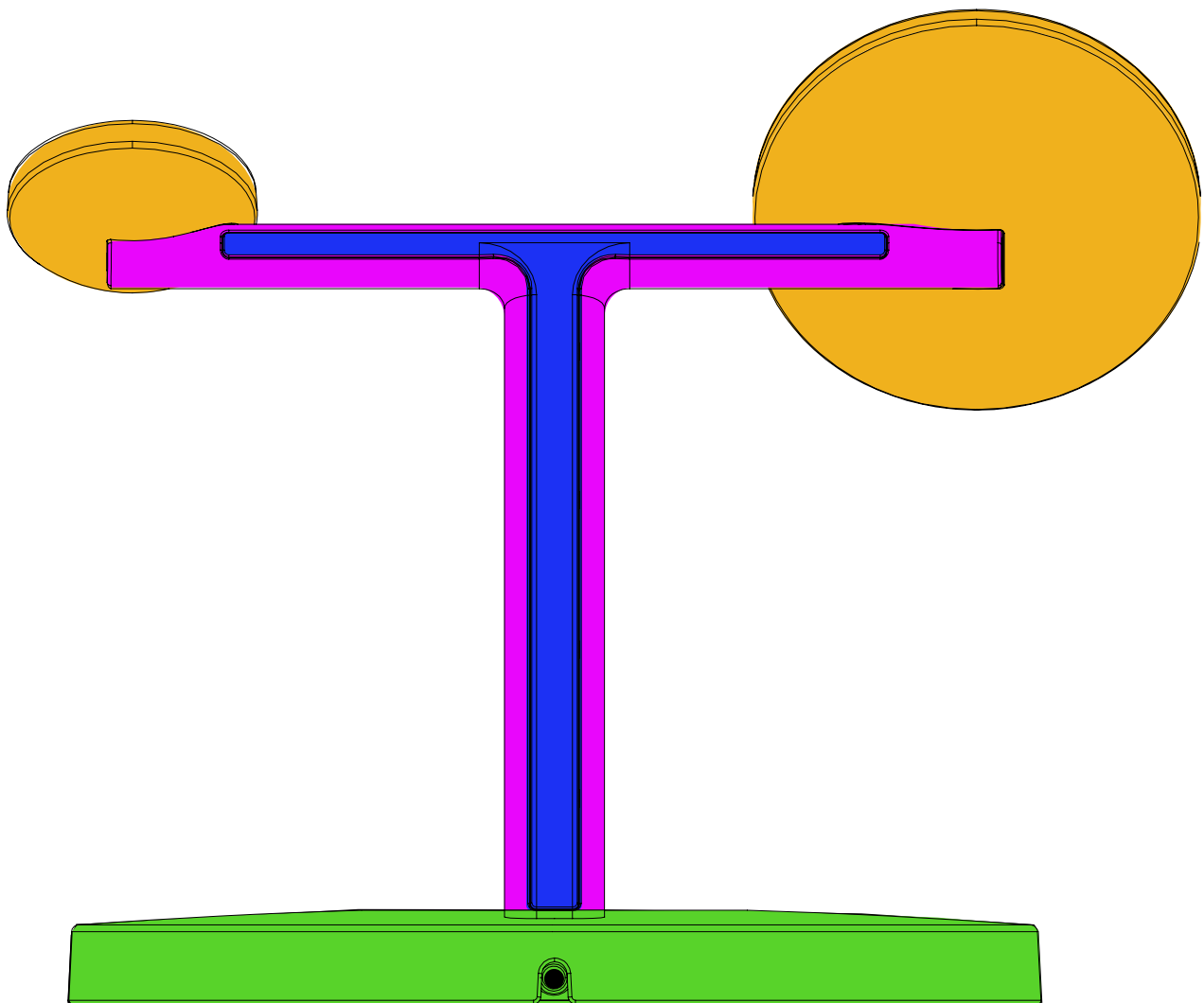
DO NOT MAKE CHANGES WITHOUT PERMISSION FROM BELKIN IDG.



center on edge

13 mm

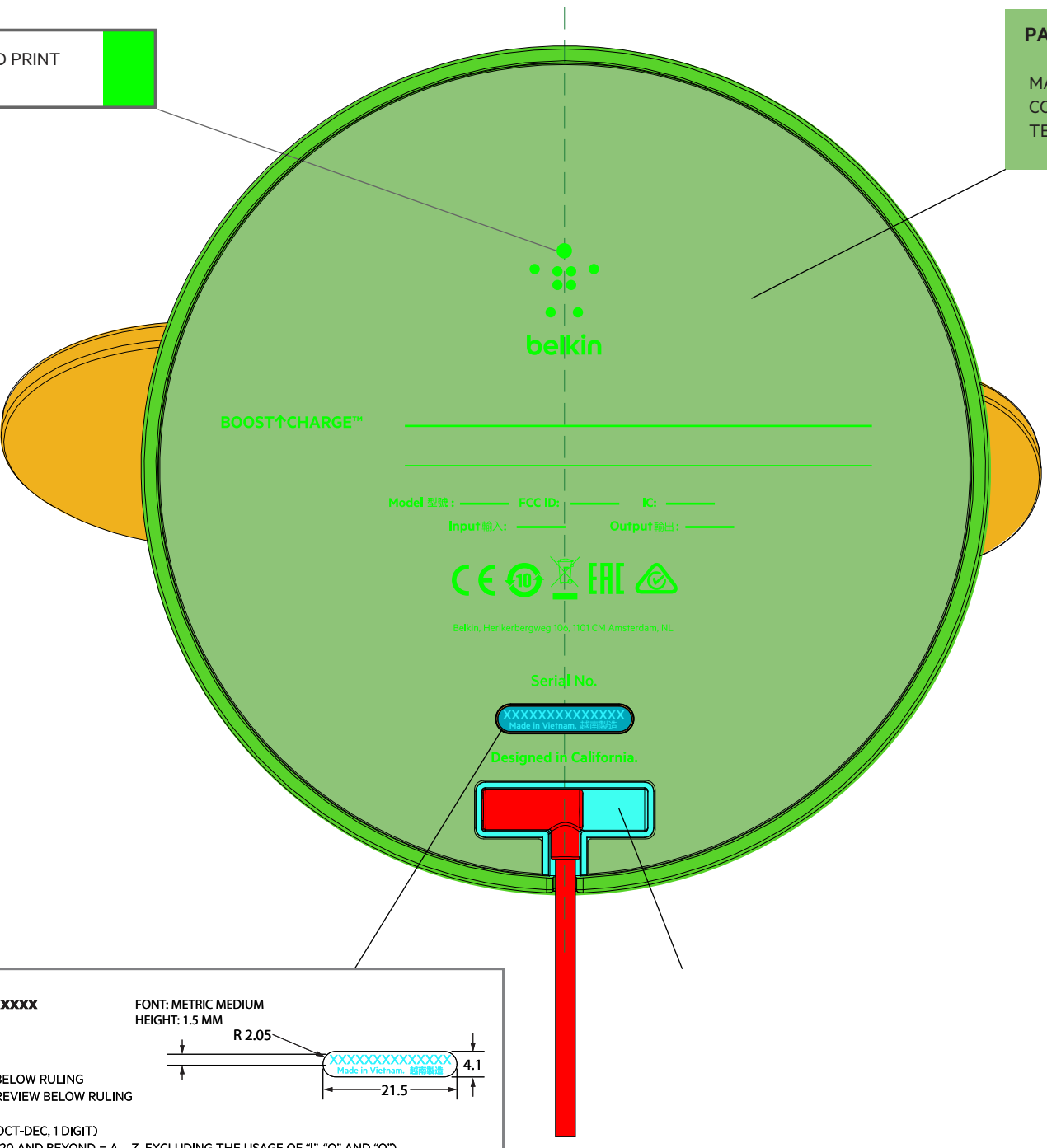
LOGO PAD PRINT
COLOR: PANTONE 11 C



Light pipe
Material: CLEAR plastic
Color: YS 20040-A (DULL) on visible surface only.
All other parts of lightpipe should be high polish

SILICONE RUBBER FOOT PAD PRINT
COLOR: PANTONE 11 C

PAD PRINTED RUBBER FOOT
MATERIAL - SILICONE
COLOR: **MIDNIGHT BLACK**
TEXTURE: MATTE UNCOATED SILICONE

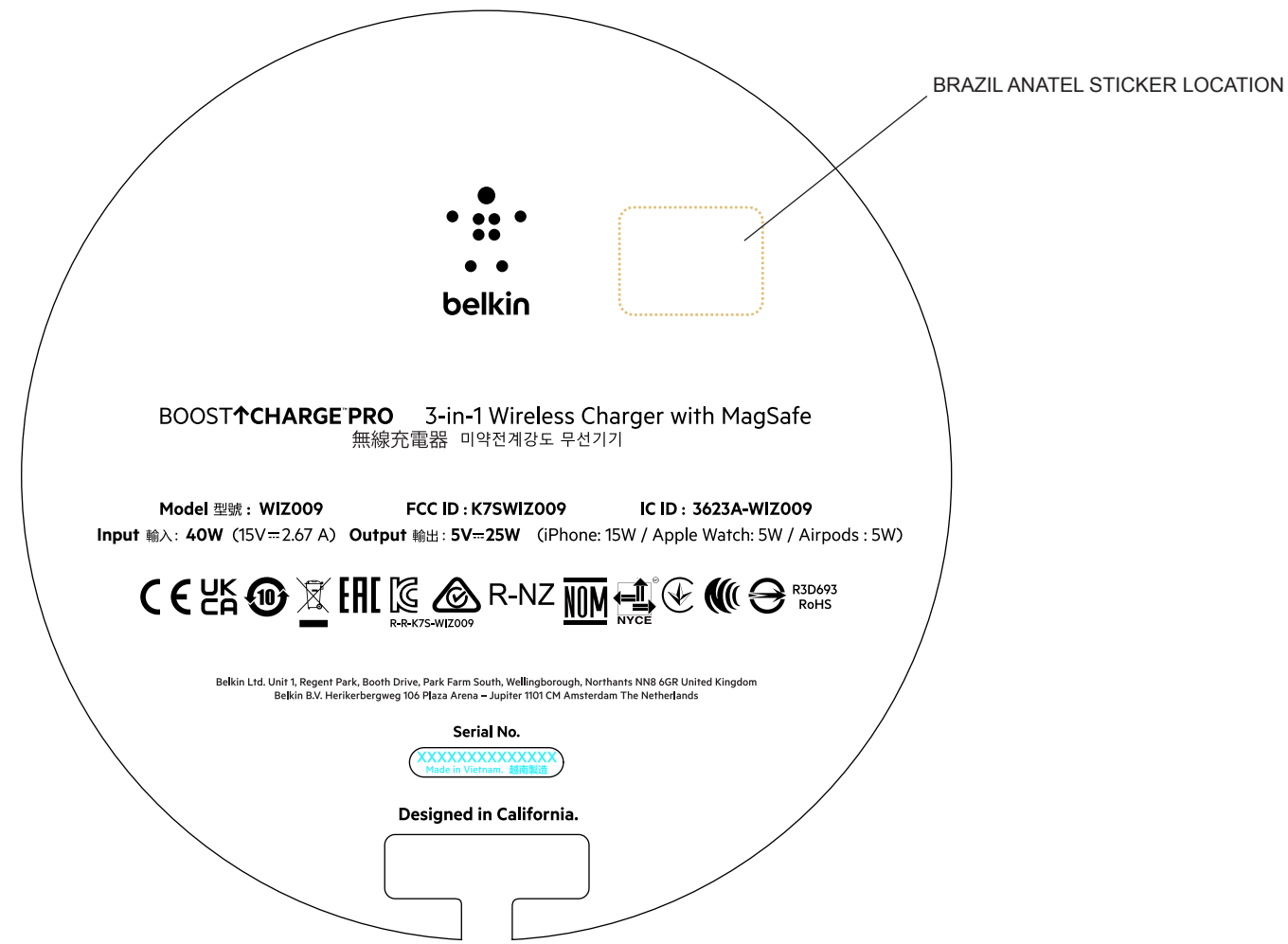


Serial No: **PPPVMMmyxxxx**
FONT: METRIC MEDIUM
HEIGHT: 1.5 MM

FONT: METRIC MEDIUM
HEIGHT: 1.5 MM

PPP: PRODUCT CODE - REVIEW BELOW RULING
VV: PRODUCT VERSION CODE - REVIEW BELOW RULING
MM: MANUFACTURER CODE
m: MONTH (1-9, A-C for JAN-SEP, OCT-DEC, 1 DIGIT)
y: YEAR (2010 TO 2019 = 0 - 9, 2020 AND BEYOND = A - Z, EXCLUDING THE USAGE OF "I", "O" AND "Q")
xxxxx: MONTHLY UNIT COUNT (00001 TO 99999, THEN A0000 TO Z9999, EXCLUDING THE USAGE OF "I", "O" AND "Q")

WAVE #1



WAVE #2

