

## Report Number: 14497921-EP1V1

### 1. SCOPE

The purpose of this document is to show test setup diagrams and photos for the following reports

Reports
14497921-E1 FCC WPT Report
14497921-E2 FCC WPT RF Exposure Report

## 2. WPT TECHNOLOGY (14497921-E1 Report)

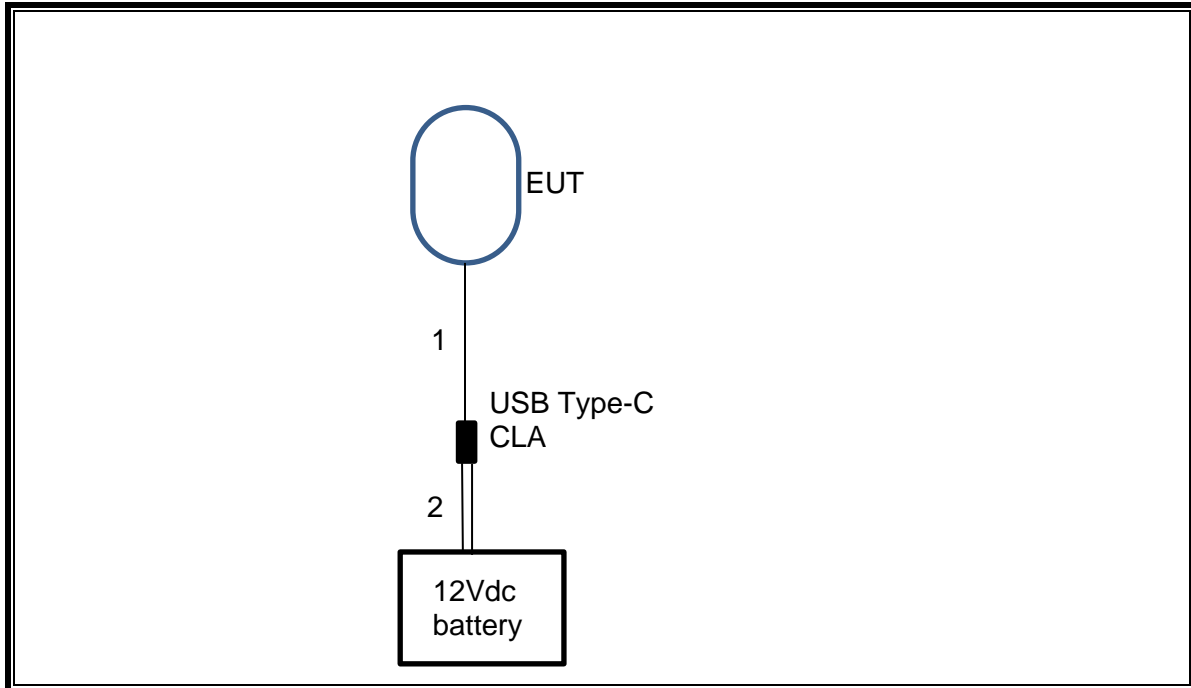
### 2.1. DESCRIPTION OF TEST SETUP

SUPPORT TEST EQUIPMENT						
Description	Manufacturer	Model	Serial Number	FCC ID/ DoC		
12Vdc battery	Howell Energy	HW-4F7	N/A	DoC		
Type C Cigarette-Lighter Adapter	Belkin	CCA003	N/A	DoC		
12V/ 24V Extension Cord Plug Female Socket with Battery Clamp	Cuzec	CU10051B	N/A	DoC		
iPhone 12 Pro Max	Apple	A2342	F2MFLHTF0D42	BCG-E3548A		
iPhone 12 Pro Max	Apple	A2342	F2LFW43K0D42	BCG-E3548A		
iPhone 12 Pro Max	Apple	A2342	F2LFKP3R0D41	BCG-E3548A		
iPhone 11 Pro Max	Apple	A2161	FK1ZMDRGN70C	BCG-E3306A		
AirPods Pro (AirPods Pro Case A2190)	Apple	A2084	H7CDMAEH0C6L	BCG-A2084		
AirPods Pro (AirPods Pro Case A2190)	Apple	A2084	H36DW5G50C6L	BCG-A2084		
AirPods Pro (AirPods Pro Case A2190)	Apple	A2084	H32DW5EP0C6L	BCG-A2084		
I/O CABLES (AC LINE CONDUCTED)						
Cable No.	Port	# of Identical Ports	Connector Type	Cable Type	Cable Length (m)	Remarks
1	DC	1	USB Type C	Un-shielded	1.2	-
2	DC	1	Female CLA socket	Un-shielded	1.5	-

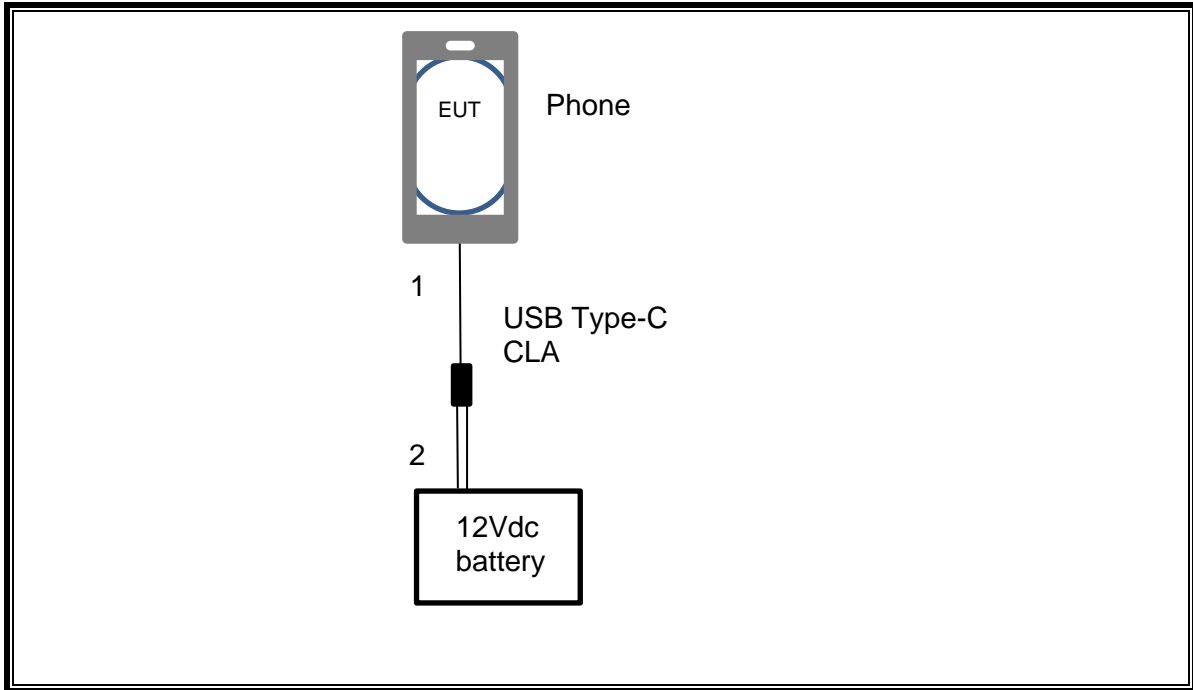
**TEST SETUP**

The EUT is directly connected to a Type C Cigarette-Lighter Adapter via a USB Type C cable. It is powered by a 12Vdc battery via a female socket battery cable.

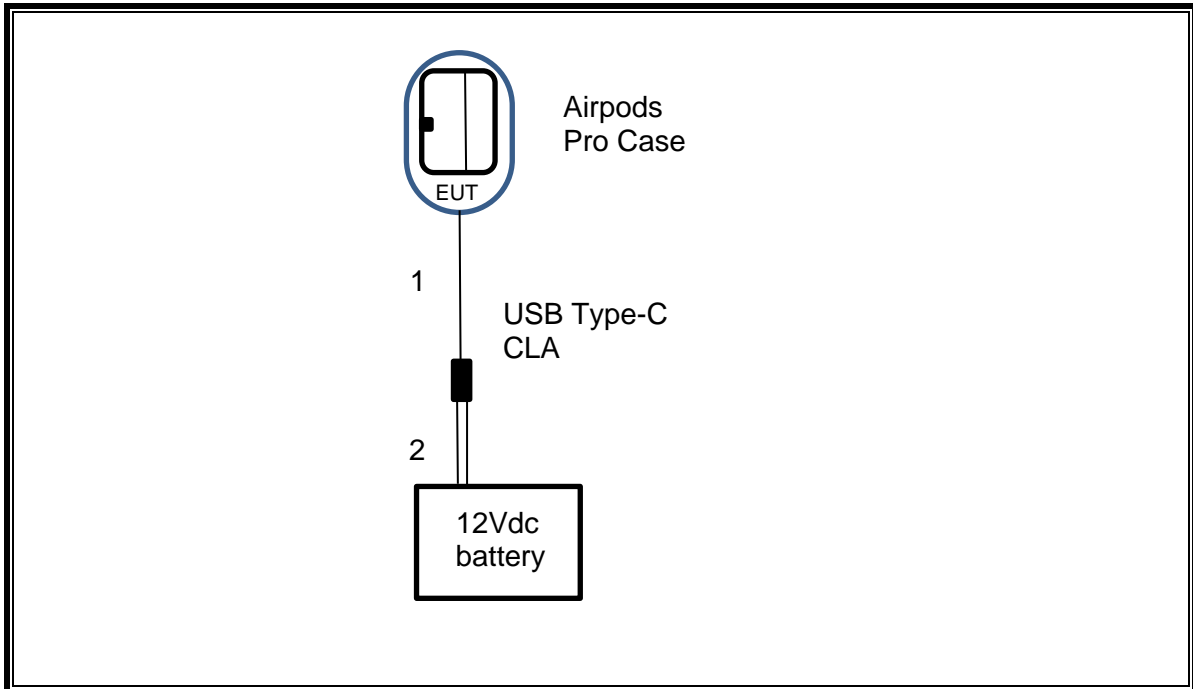
All testing is based on direct contact and no position shift due to magnet embedded in charger pad. The legacy phone and AirPods Pro Case are placed at the maximum power position during the testing.

**CONFIGURATION 1: STANDBY MODE**

**CONFIGURATION 2/3: OPERATING MODE WITH PHONE**

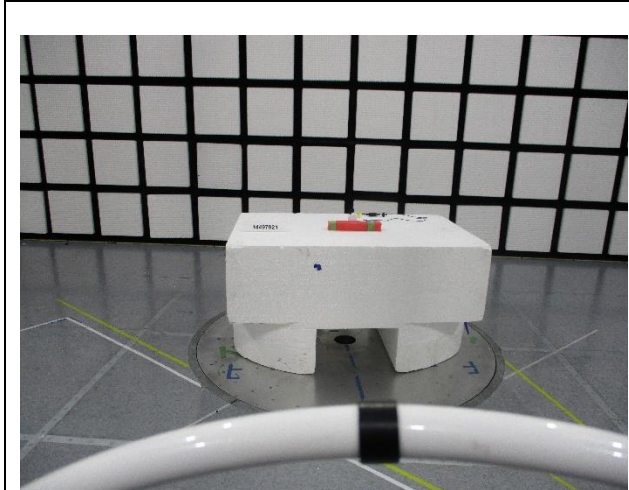


**CONFIGURATION 4: OPERATING MODE WITH AIRPODS PRO CASE**

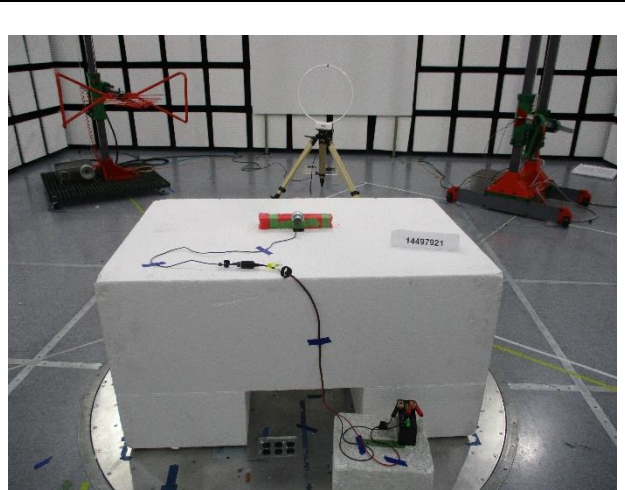


## 2.2. WPT RADIATED RF MEASUREMENT SETUP

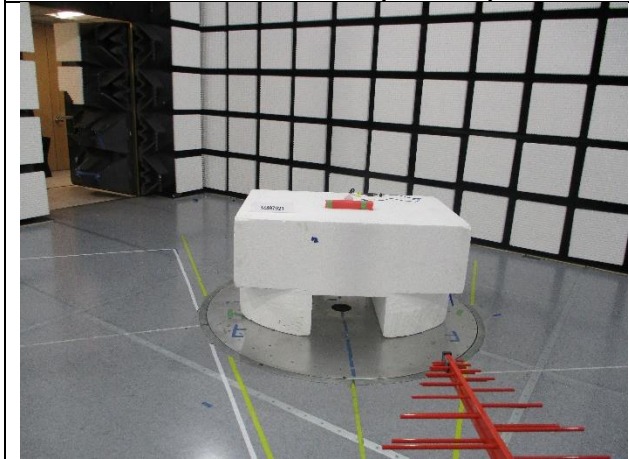
### 2.2.1. CONFIGURATION 1: STANDBY MODE



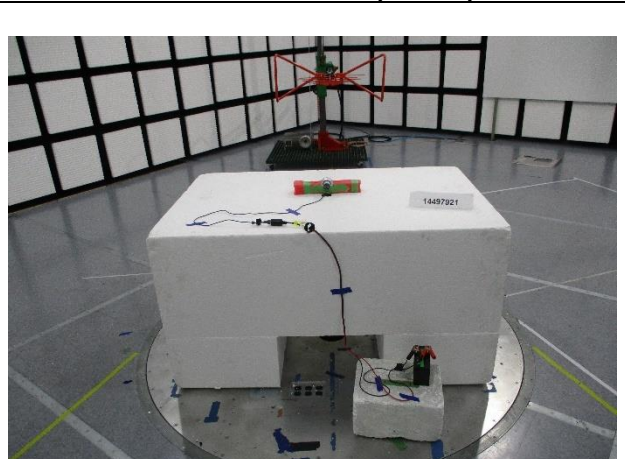
**BELOW 30 MHz (FRONT)**



**BELOW 30 MHz (BACK)**

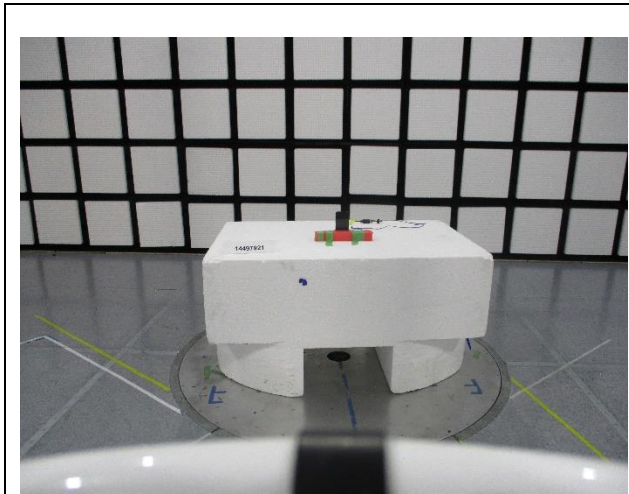


**BELOW 1GHz (FRONT)**

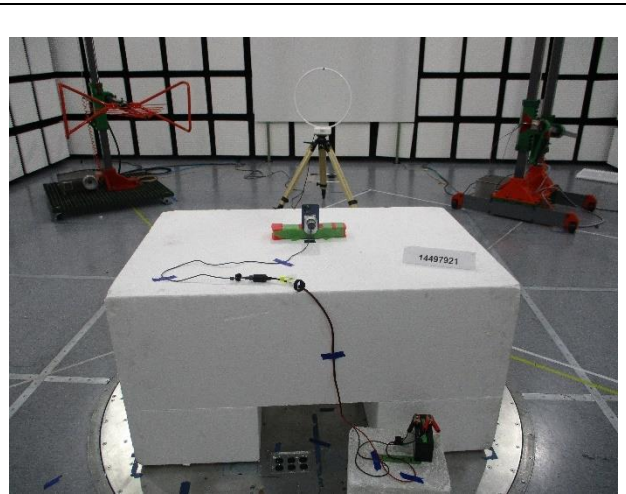


**BELOW 1GHz (BACK)**

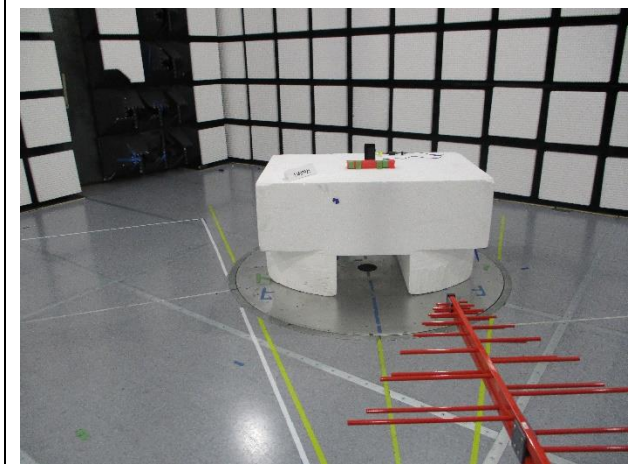
### 2.2.2. CONFIGURATION 2: OPERATING MODE WITH NEW PHONE



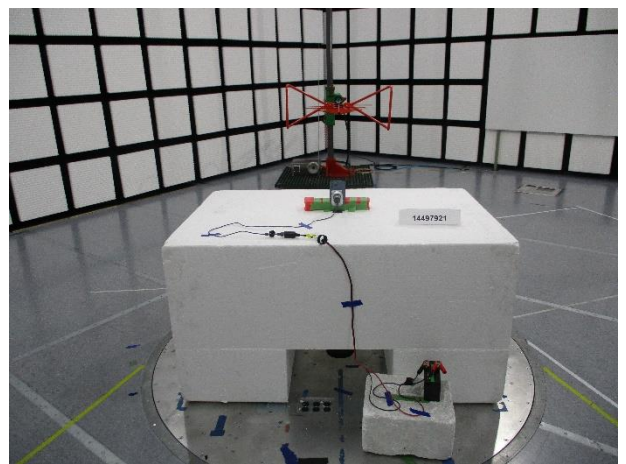
BELOW 30 MHz (FRONT)



BELOW 30 MHz (BACK)

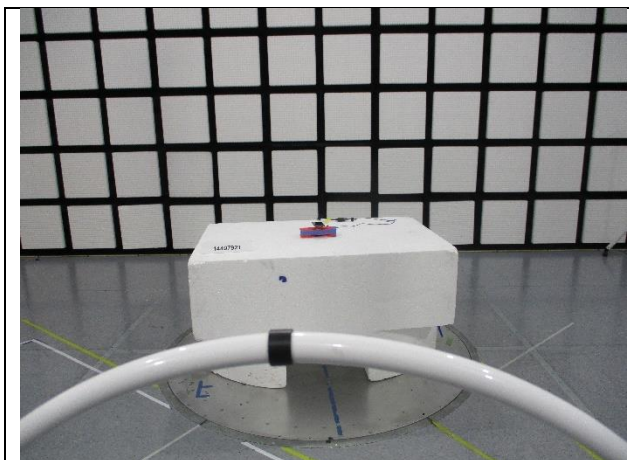


BELOW 1GHz (FRONT)

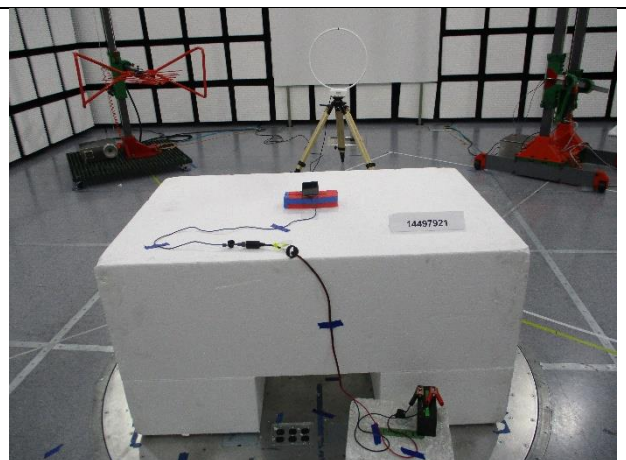


BELOW 1GHz (BACK)

### 2.2.3. CONFIGURATION 3: OPERATING MODE WITH LEGACY PHONE

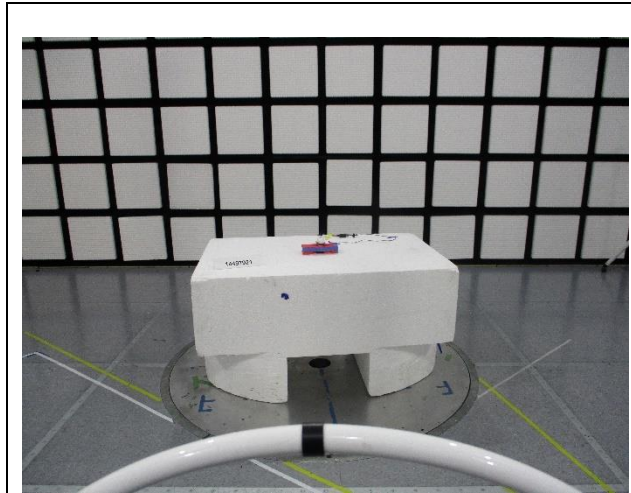


BELOW 30 MHz (FRONT)

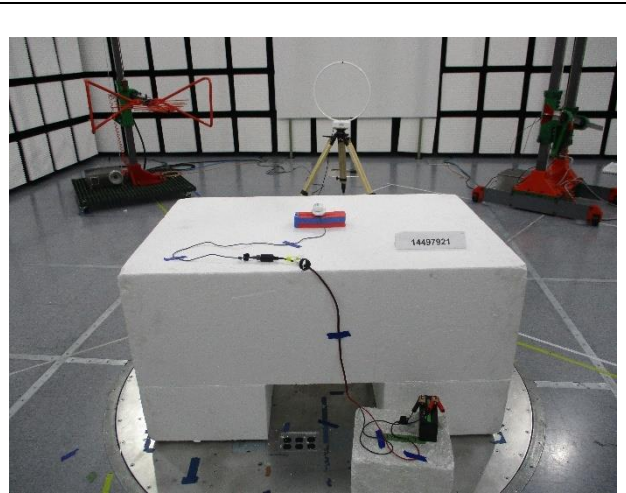


BELOW 30 MHz (BACK)

### 2.2.4. CONFIGURATION 4: OPERATING MODE WITH AIRPODS PRO CASE



**BELOW 30 MHz (FRONT)**



**BELOW 30 MHz (BACK)**

### 3. RF EXPOSURE (14497921-E2 Report)

#### 3.1. DESCRIPTION OF TEST SETUP

##### SUPPORT EQUIPMENT

SUPPORT TEST EQUIPMENT						
Description		Manufacturer	Model	Serial Number	FCC ID/ DoC	
12Vdc battery		Howell Energy	HW-4F7	N/A	DoC	
Type C Cigarette-Lighter Adapter		Belkin	CCA003	N/A	DoC	
12V/ 24V Extension Cord Plug Female Socket with Battery Clamp		Cuzec	CU10051B	N/A	DoC	
iPhone 12 Pro Max		Apple	A2342	F2LFKNTW0D41	BCG-E3548A	
iPhone 12 Pro Max		Apple	A2342	F2MFLFJA0D42	BCG-E3548A	
iPhone 12 Pro Max		Apple	A2342	F2LFL6760D41	BCG-E3548A	
iPhone 11		Apple	A2111	C6KZHK1XN72J	BCG-E3309A	
iPhone X		Apple	A1901	G6TVJ7H8JCLH	BCG-E3175A	
AirPods Pro (AirPods Pro Case A2190)		Apple	A2084	H7CDM8C00C6L	BCG-A2084	
AirPods Pro (AirPods Pro Case A2190)		Apple	A2084	H7CDM9870C6L	BCG-A2084	
AirPods Pro (AirPods Pro Case A2190)		Apple	A2084	H36DW63A0C6L	BCG-A2084	
I/O CABLES (AC LINE CONDUCTED)						
Cable No.	Port	# of Identical Ports	Connector Type	Cable Type	Cable Length (m)	Remarks
1	DC	1	USB Type C	Un-shielded	1.2	-
2	DC	1	Female CLA socket	Un-shielded	1.5	-

##### TEST SETUP

The EUT is directly connected to a Type C Cigarette-Lighter Adapter via a USB Type C cable. It is powered by a 12Vdc battery via a female socket battery cable.

All testing is based on direct contact and no position shift due to magnet embedded in charger pad. The legacy phone and AirPods Pro Case are placed at the maximum power position during the testing.

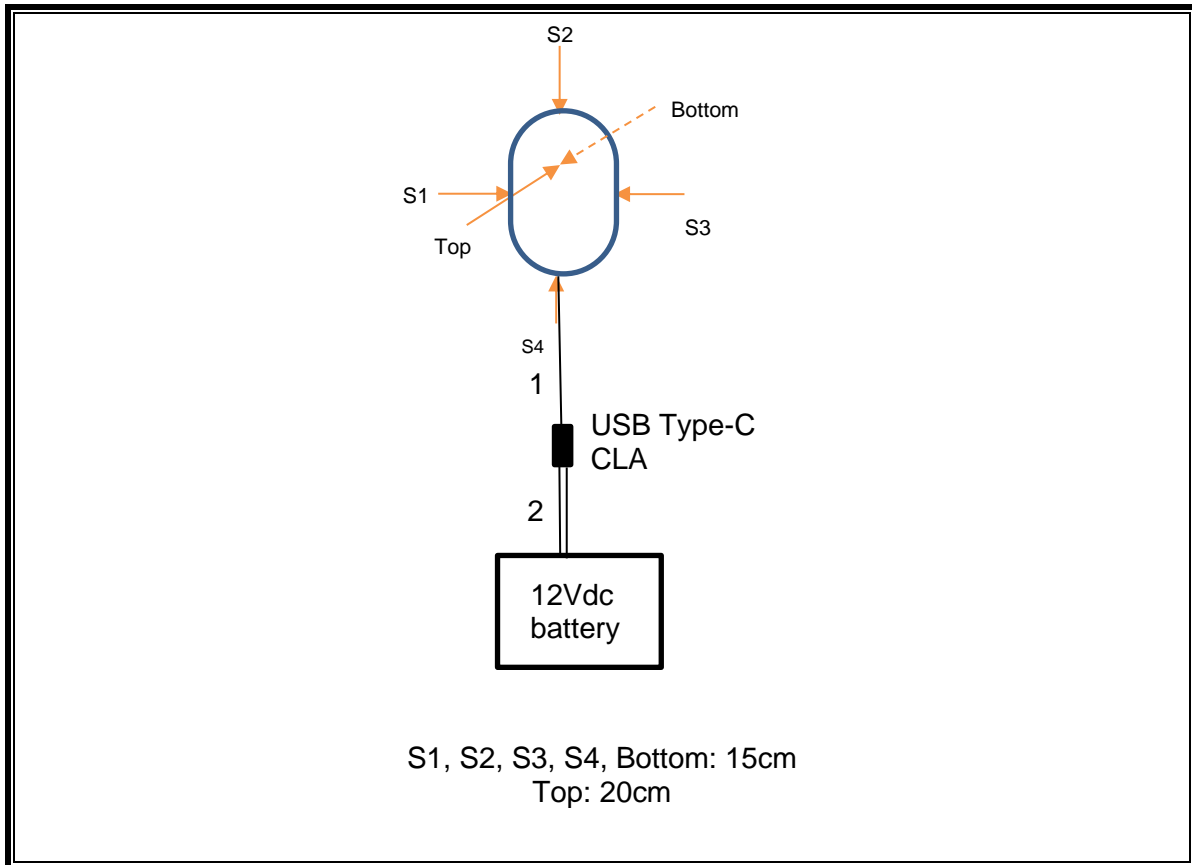
##### MEASUREMENT SETUP

The measurements were taken using a probe placed 15 cm surrounding the device and 20 cm above the top surface for all configurations on each individual coil per KDB 680106 D01.

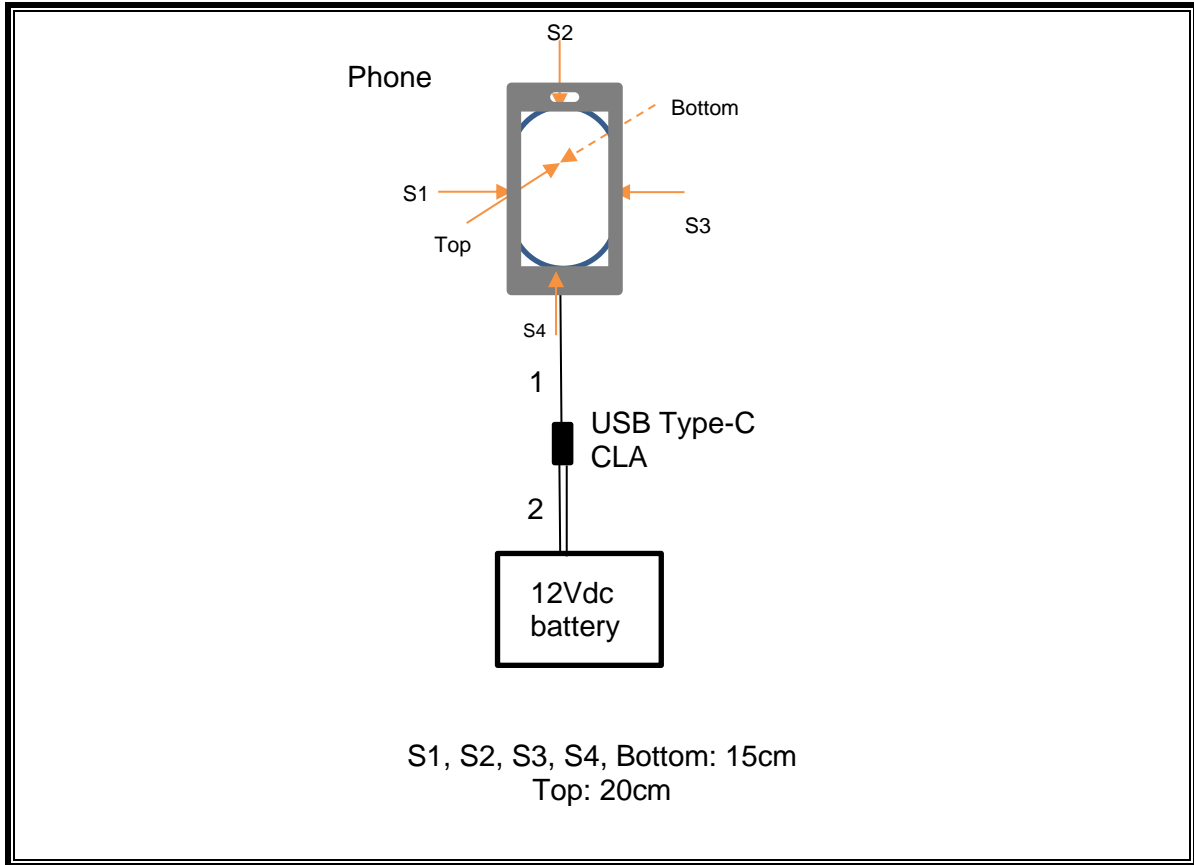
Measurement distance is determined from the center of the probe to the EUT.



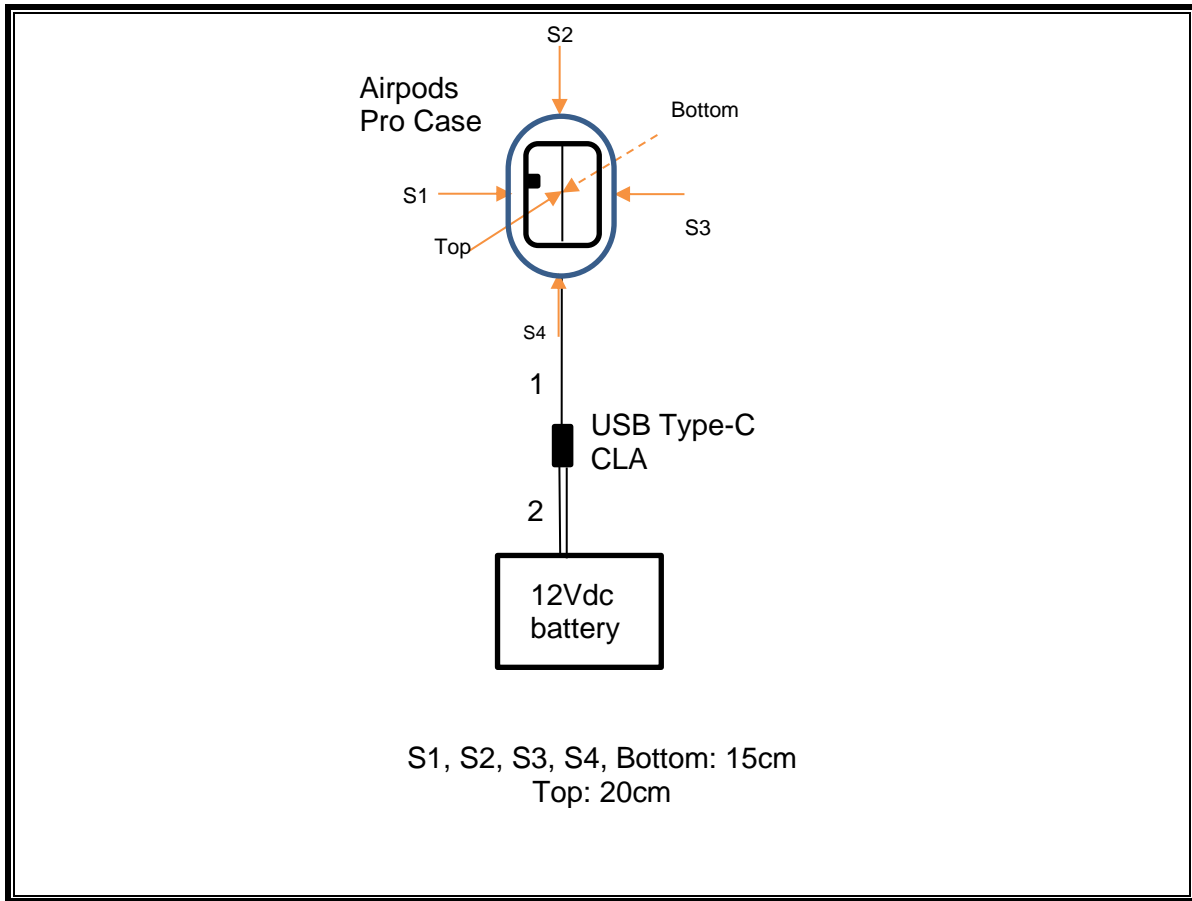
**CONFIGURATION 1: STANDBY MODE**



**CONFIGURATION 2/3: OPERATING MODE WITH PHONE**



**CONFIGURATION 4: OPERATING MODE WITH AIRPODS PRO CASE**

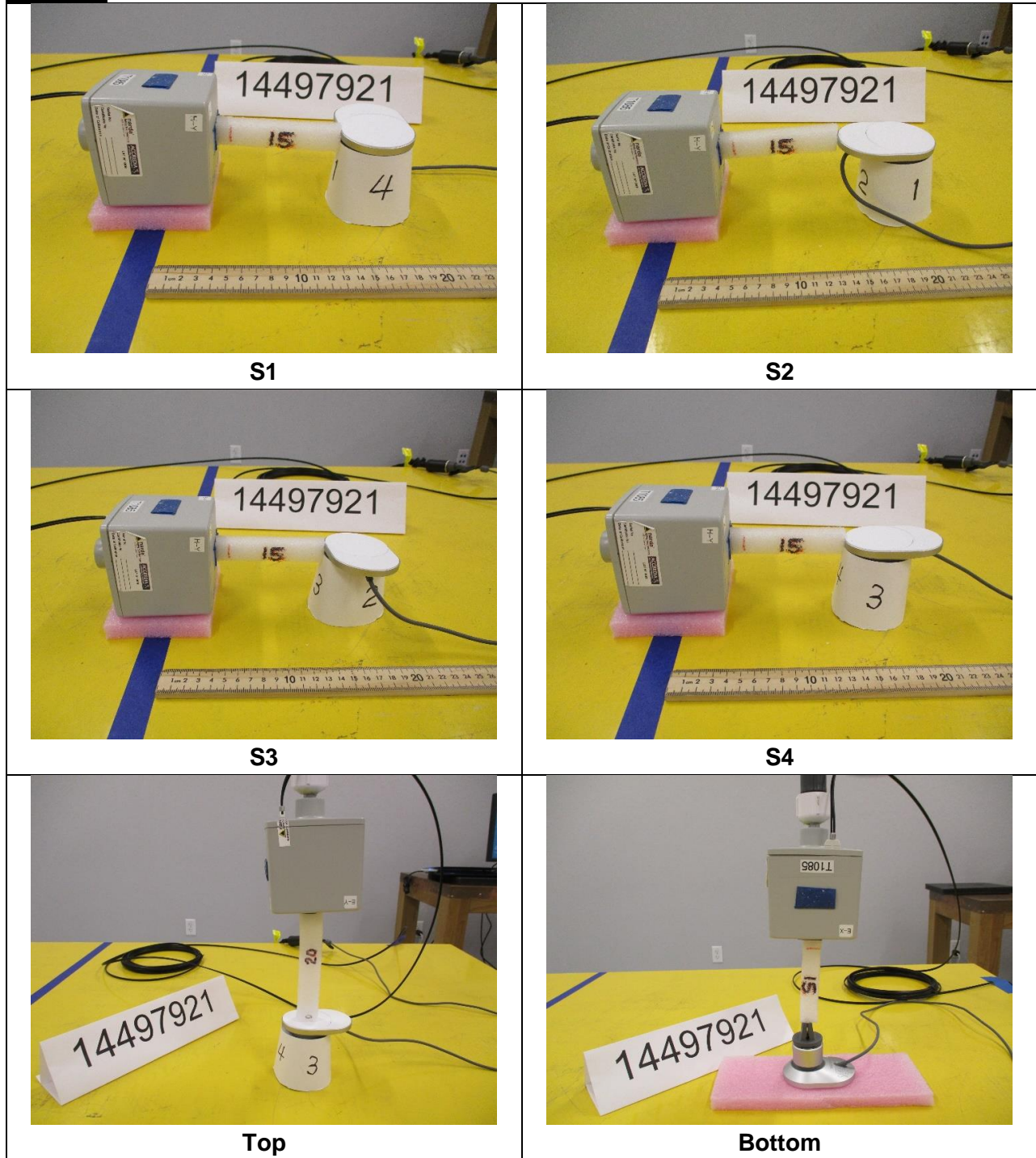


### 3.2. RF EXPOSRE SETUP PHOTO

1. RF exposure setting: Top=20cm, S1/S2/S3/S4/Bottom=15cm

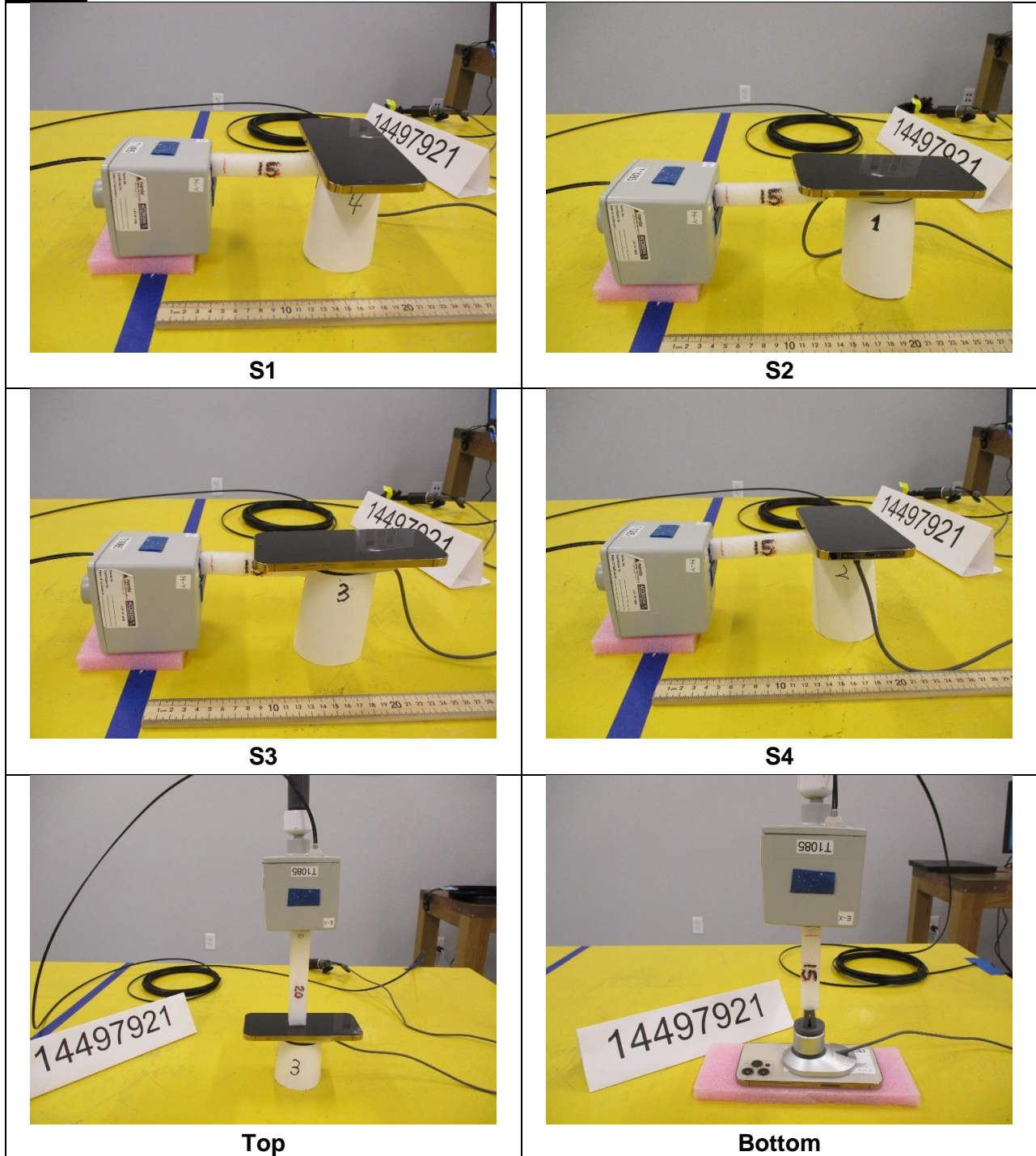
#### 3.2.1. CONFIGURATION 1: STANDBY MODE

127.7kHz



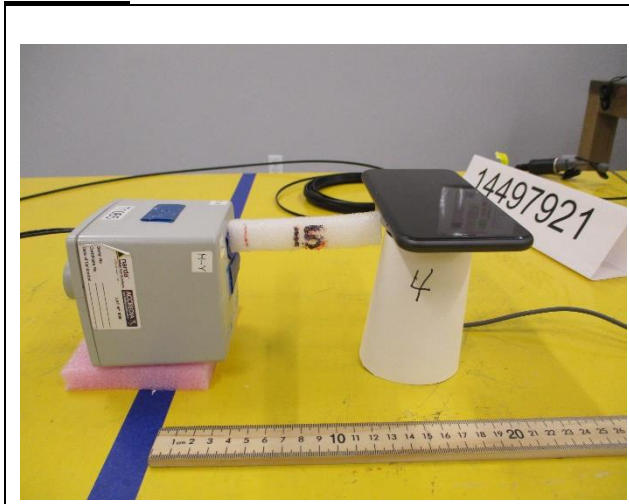
### 3.2.2. CONFIGURATION 2: OPERATING MODE WITH NEW PHONE

360kHz

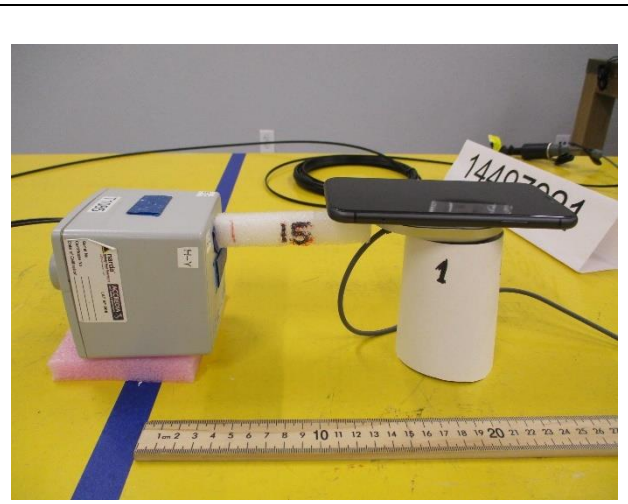


### 3.2.3. CONFIGURATION 3: OPERATING MODE WITH LEGACY PHONE

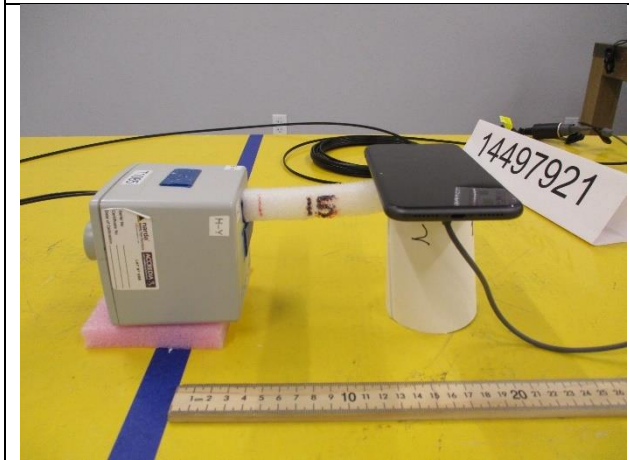
127.7kHz



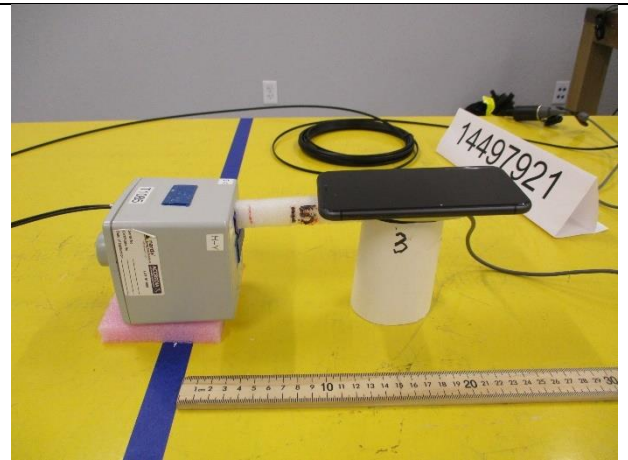
S1



S2



S3



S4



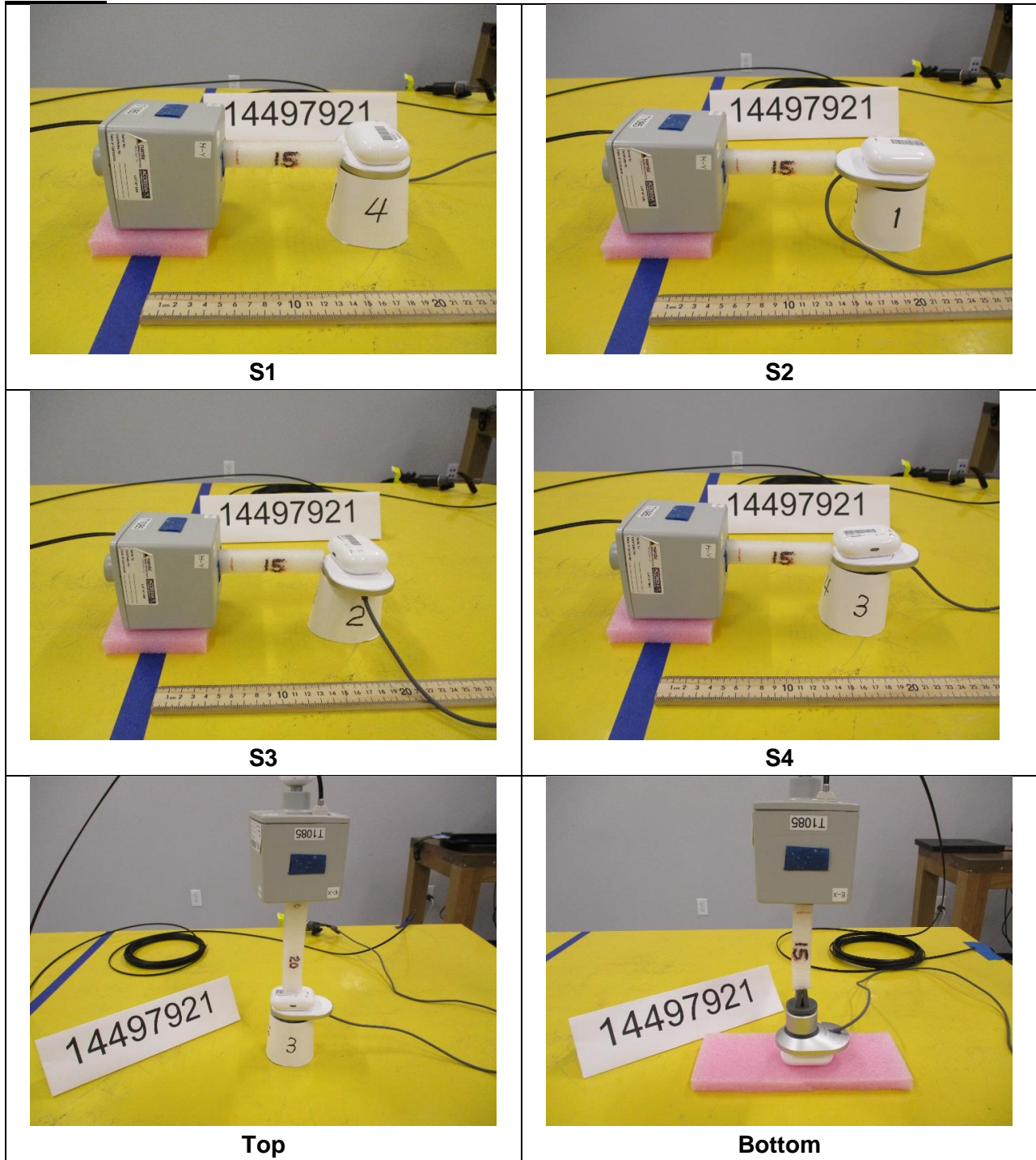
Top



Bottom

### 3.2.4. CONFIGURATION 4: OPERATING MODE WITH AIRPODS PRO CASE

127.7kHz



**END OF REPORT**