

Belkin International, Inc.

Label Declaration letter

2020-11-25

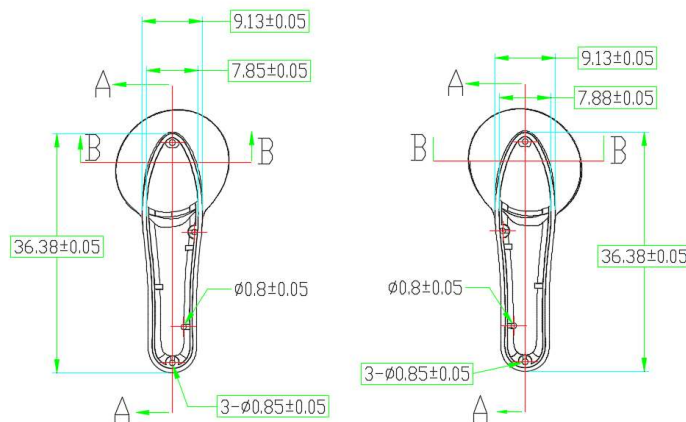
We, Belkin International, Inc. hereby declared that SOUNDFORM True Wireless Earbuds with Qi Wireless Charging Case are too small to put FCC ID/IC on it , We put FCC ID/IC Inside the charger top cover and user manual. Pictures attached as below

FCC ID: K7SPAC002

IC: 3623A-PAC002

Product Description: SOUNDFORM True Wireless Earbuds with Qi Wireless Charging Case

Model: PAC002



Sincerely,

Client's signature:

Jay Tu

Client's name: Jay Tu

Title : Regulatory Compliance Manager

Contact information / address : 12045 East Waterfront Drive, Playa Vista, CA 90094,USA

