

All graphics indicated in **red** are to be printed in Pantone 431C dark gray

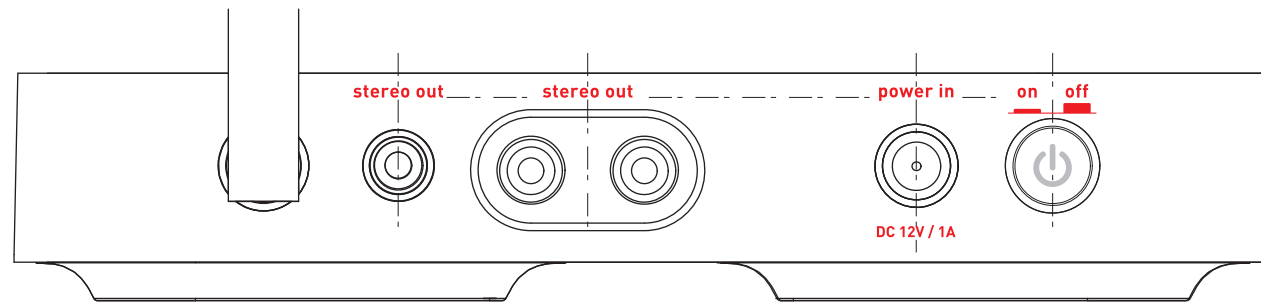
431C

All graphics indicated in **green** are to be **debossed** (recessed from surface), depth=0.25mm
 (this includes the TPE overmolded bottom and the power button cap)

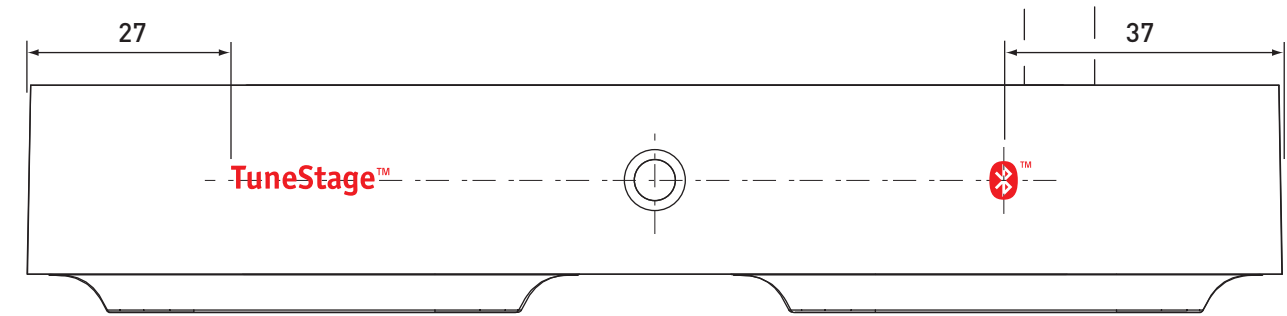
All graphics indicated in **blue** are to be printed in Pantone Cool Gray 429C light gray

Cool Gray 6C

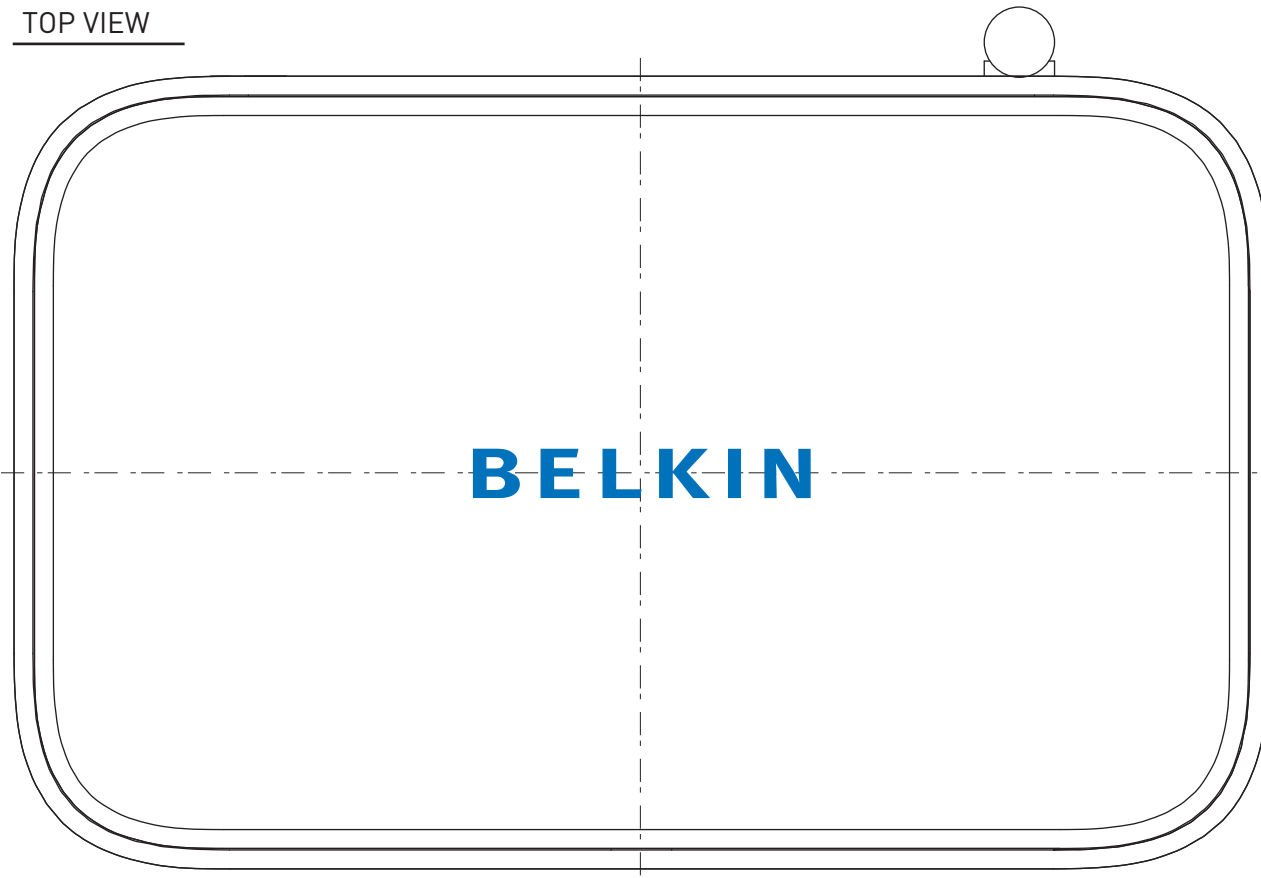
REAR VIEW



FRONT VIEW



TOP VIEW



BOTTOM VIEW

