

- REVISED 04/07/05: TuneCommand
- REVISED 04/08/05: Color for the Belkin logo
- REVISED 05/06/05: Color for the Belkin logo
- REVISED 08/23/05: FCC number
- REVISED 08/31/05: TM placement
- REVISED 09/07/05: revised FCC ID layout

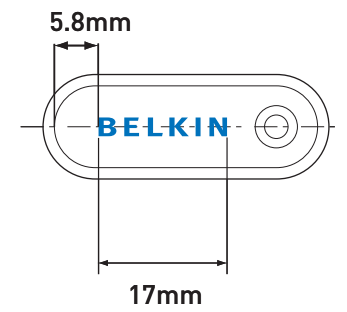
All graphics indicated in blue are to be printed in White (match with Apple white)



All graphics indicated in red are to be printed in Pantone Cool Gray 429C light gray



TOP VIEW



REAR VIEW

