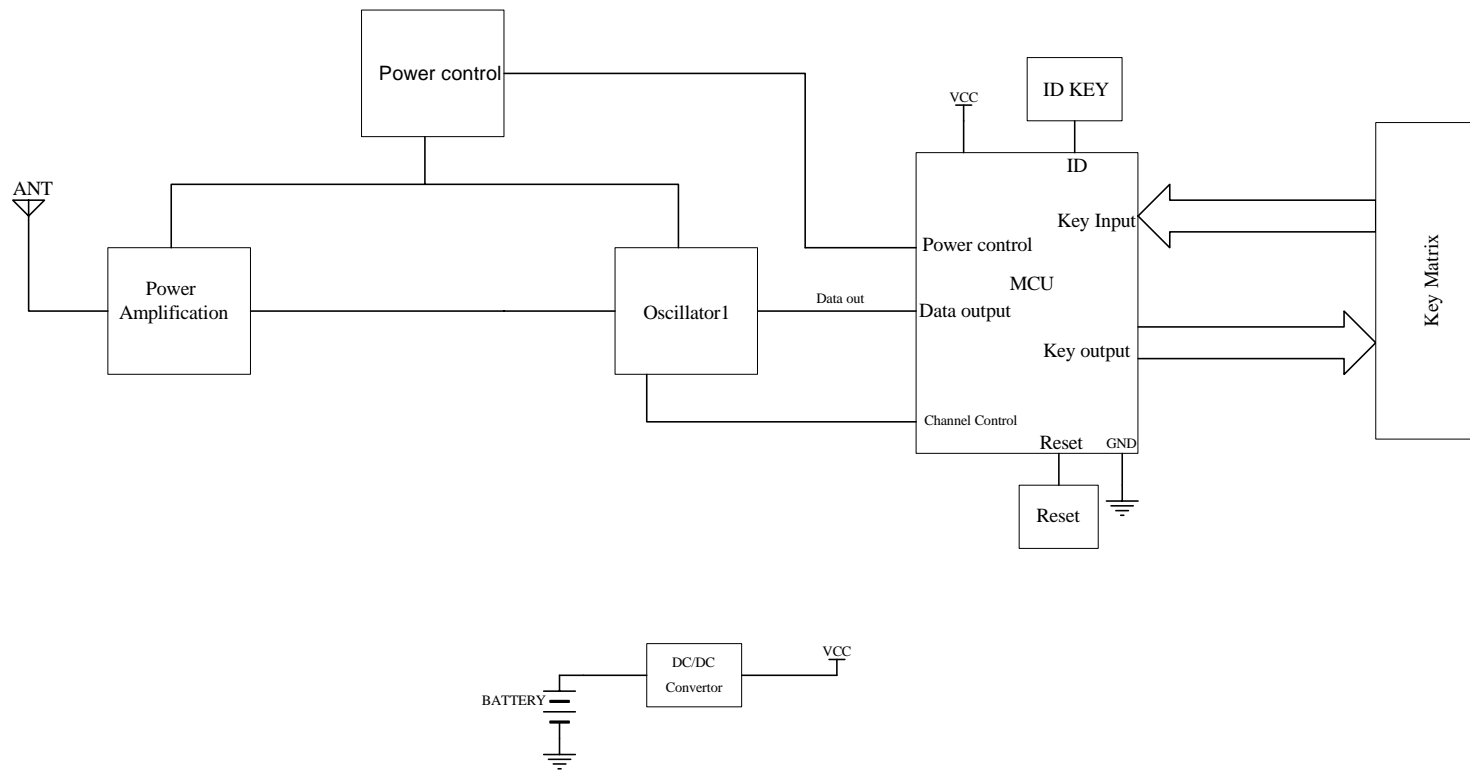


文件号	GT-R0101-A
-----	------------



TITLE: <i>F8E855XX block diagram</i>		Version
Filename: \\Tiger\tcx\gt2005\KPB11\认证文件\F8E855XX-blk.		1.0
Date:	Drawn by:	Approved by:
		Confirmed by: