



# LABELS & CERTS

ROBIN - MPW113  
IDS-001586

SKU : F7U052v2  
Designer: PAER S  
Date: 2018-08-31  
Rev: 3.8

NOTES

## COLOR INFORMATION



**C01**

White

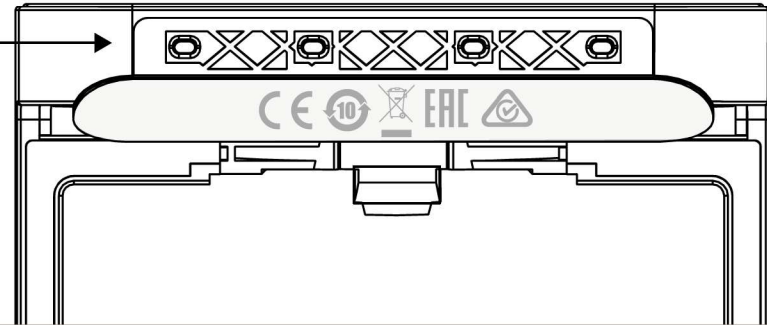
XXXXXXXXXXXX

Model: BOOST↑UP™ 無線充電座  
輸入 Input: 15V-1.5A 輸出 Output: 10W FCC ID: IC:

Serial No. XXXXXXXXXXXX

PRINT COLOR: 2R-8111 gray (Ink grade from supplier)

BASE COLOR: SNOWCAP WHITE / MATTE (MATCH WITH COLOR CHIP)



**C02**

Black

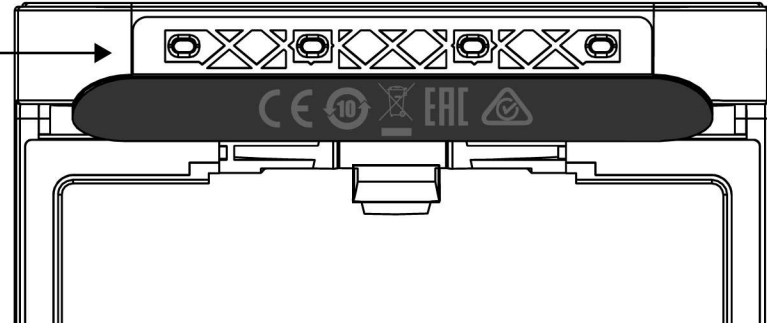
XXXXXXXXXXXX

Model: BOOST↑UP™ 無線充電座  
輸入 Input: 15V-1.5A 輸出 Output: 10W FCC ID: IC:

Serial No. XXXXXXXXXXXX

PRINT COLOR: PMS Cool Grey 11 C

BASE COLOR: MIDNIGHT BLACK / MATTE (MATCH WITH COLOR CHIP)



**C03**

Blue

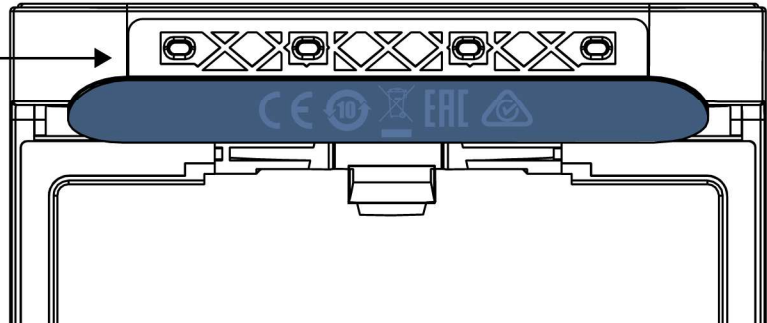
XXXXXXXXXXXX

Model: BOOST↑UP™ 無線充電座  
輸入 Input: 15V-1.5A 輸出 Output: 10W FCC ID: IC:

Serial No. XXXXXXXXXXXX

PRINT COLOR: LIGHT WATERFRONT BLUE PMS 7692 U

BASE COLOR: WATERFRONT BLUE (MATCH WITH COLOR CHIP)



**C04**

Coral

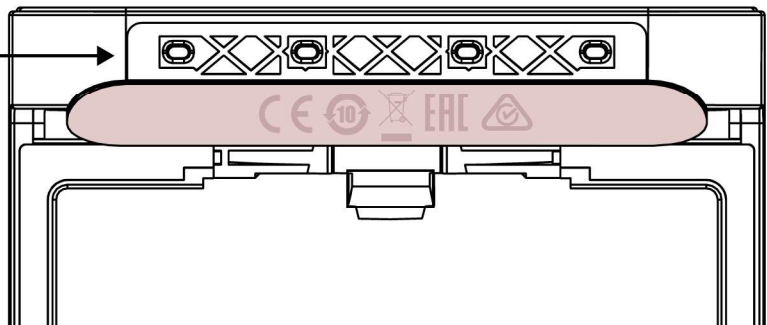
XXXXXXXXXXXX

Model: BOOST↑UP™ 無線充電座  
輸入 Input: 15V-1.5A 輸出 Output: 10W FCC ID: IC:

Serial No. XXXXXXXXXXXX

PRINT COLOR: 2R-8112 pink (Ink grade from supplier)

BASE COLOR: DESERT PINK (MATCH WITH COLOR CHIP)



**RELEASED**

Wave #1

Model: F7U052v2  
BOOST↑UP™ 無線充電座  
輸入 Input: 15V-1.5A 輸出 Output: 10W FCC ID: K75F7U052V2 IC: 3623A-F7U052V2

Serial No. XXXXXXXXXXXX

CE 10 EAC

**PLACEHOLDER**

Wave #2

CE 10 EAC

CCAK18LP0980T9 R-RMM-K7S-F7U052

**PLACEHOLDER**

Wave #3

CE 10 EAC

CCAK18LP0980T9 R-RMM-K7S-F7U052 MX

UL-NOM

**PLACEHOLDER**

Wave #4

UL-NOM MX

CCAK18LP0980T9 R-RMM-K7S-F7U052 HHHHH-AA-FFFFF CNC ID: XX-99999

CE 10 EAC