

IDS-001586

ROBIN - MPW113
CMFG SPECIFICATION

F7U052

REVISION: v3.4

2018-02-01

REVISION NOTES:

COLOR OF BACK HOUSING HAS BEEN ADJUSTED FOR WHITE VERSION. (NOT APPLE WHITE ANYMORE).

WILL SEND SAMPLE OF OLD HOUSING WHICH IS A BETTER MATCH.

DESIGNER: [PAER S]

FRONT PAD - SILICONE
COLOR: MATCH TO APPLE SILICONE CASES, **SEE PAGE 2**
TEXTURE: MATCH APPLE SILICONE CASE WITH MATTE ANTISTATIC COATING

ANTISLIP SURFACES - SILICONE
COLOR: MATCH TO APPLE SILICONE CASES
TEXTURE: **NO COATING**

BACK HOUSING - PC
COLOR: **SEE PAGE 2**
TEXTURE: POLISHED SP1-A1 HIGH GLOSS

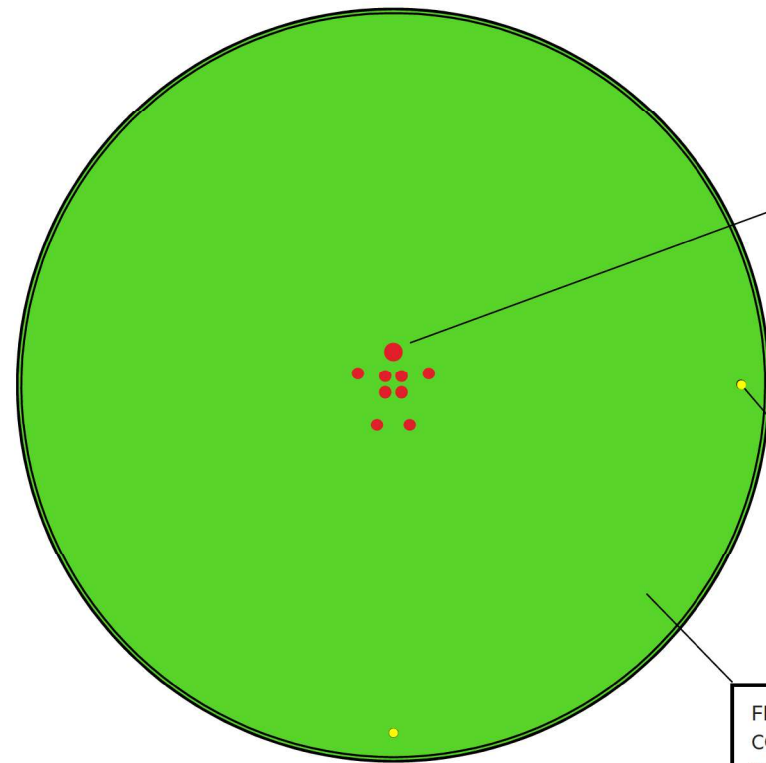
STAND FRAME - PC
COLOR: MATCH TO SNOWFLY BOTTOM HOUSING
TEXTURE: POLISHED SP1-A1 HIGH GLOSS

PAD PRINTED LOGO
TEXTURE: MATTE
COLOR: **SEE PAGE 2**

DEBOSSED LOGO
0.08 MM DEEP (SHOULD BE IN THE ME DATA)
TEXTURE: MATCH APPLE SILICONE CASE WITH MATTE ANTISTATIC COATING

LIGHT PIPES - MILKY PLASTIC
COLOR: CLEAR
TEXTURE: YICK SANG - 20048 (MATTE)

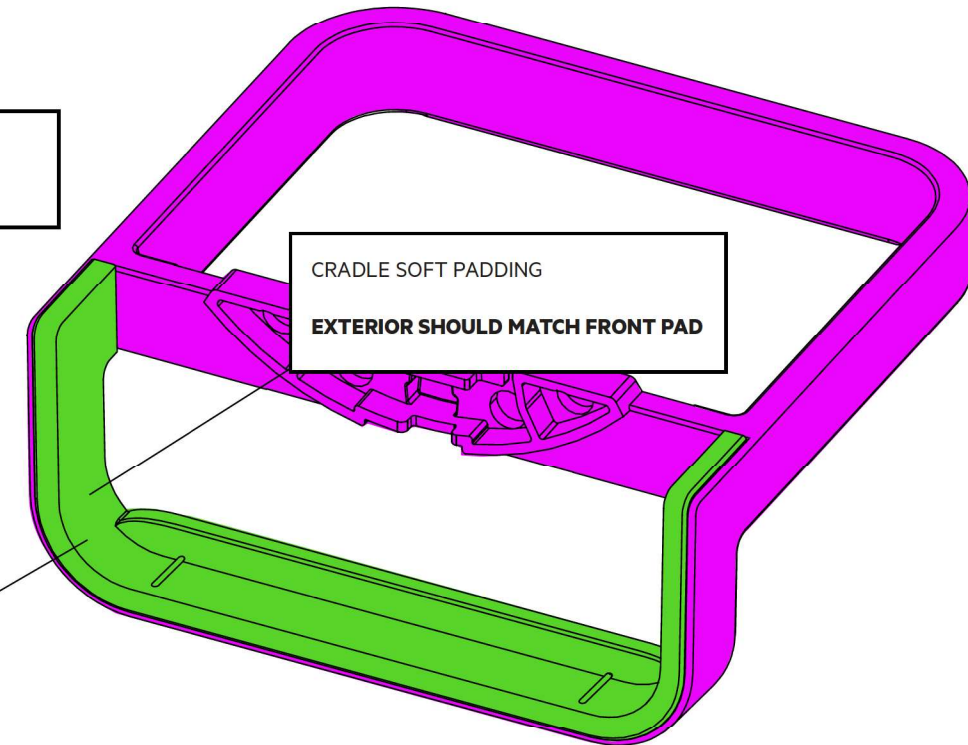
DO NOT MAKE CHANGES WITHOUT PERMISSION FROM BELKIN IDG.



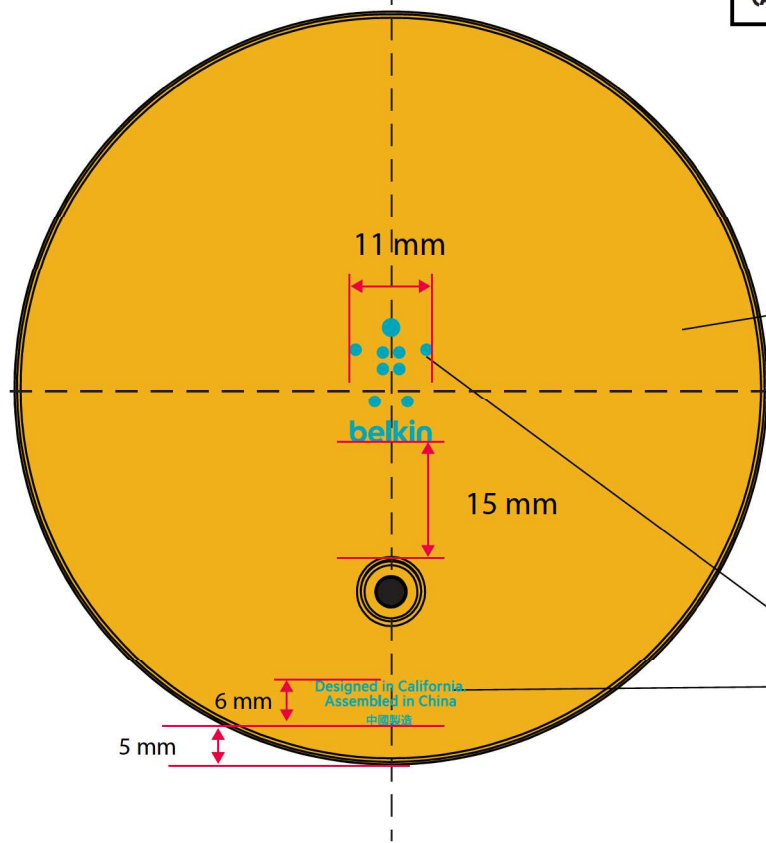
DEBOSSED LOGO
0.08 MM DEEP
TEXTURE: MATTE ANTISTATIC COATING

LIGHT PIPES - CLEAR PLASTIC
TEXTURE: YICK SANG - 20048 (MATTE)

FRONT PAD - SILICONE
COLOR: MATCH TO APPLE SILICONE CASES
TEXTURE: MATTE ANTISTATIC COATING
SAMPLE TO MATCH TO BE PROVIDED (APPLE SILICONE CASES)

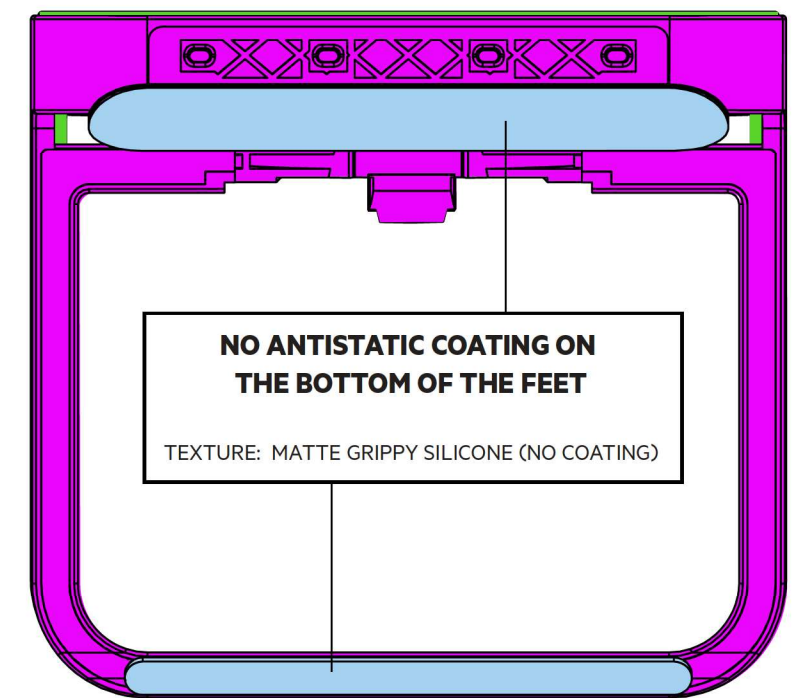


CRADLE SOFT PADDING
EXTERIOR SHOULD MATCH FRONT PAD



BACK HOUSING - PC
COLOR: **SEE PAGE 2**
TEXTURE: POLISHED SP1-A1 HIGH GLOSS

PAD PRINTED GRAPHICS
COLOR: **MATCH APPLE LOGO COLOR FOR EACH COLOR VARIANT SEE PAGE 2**



NO ANTISTATIC COATING ON THE BOTTOM OF THE FEET
TEXTURE: MATTE GRIPPY SILICONE (NO COATING)

11 mm
15 mm
6 mm
5 mm
Designed in California
Assembled in China



TECH KIT

ROBIN - MPW113
IDS-001586

SKU : F7U052
Designer: PAER S
Date: 2018-02-01
Rev: v3.4

NOTES

STYLE OVERVIEW



COLOR INFORMATION	C01	C02	C03	C04
	White	Black	Blue	Coral
A FRONT PAD SILICONE WITH ANTISTATIC COATING	 WHITE (MATCH WHITE APPLE SILICONE CASE)	 BLACK (PANTONE 100% BLACK)	 BLUE (MATCH APPLE SILICONE CASE)	 CORAL (MATCH APPLE SILICONE CASE)
B CRADLE LINING SILICONE WITH ANTISTATIC COATING	 WHITE (MATCH WHITE APPLE SILICONE CASE)	 BLACK (PANTONE 100% BLACK)	 BLUE (MATCH APPLE SILICONE CASE)	 CORAL (MATCH APPLE SILICONE CASE)
C POLISHED PC	 WHITE (MATCH WHITE APPLE SILICONE CASE)	 BLACK (PANTONE 100% BLACK)	 BLUE (MATCH APPLE SILICONE CASE)	 CORAL (MATCH APPLE SILICONE CASE)
D PAD PRINTED GRAPHICS ON BACK HOUSING	 GREY (TO BE DEFINED)	 DARK GREY (TO BE DEFINED)	 DARK BLUE (MATCH APPLE SILICONE CASE)	 DARK CORAL (MATCH APPLE SILICONE CASE)





LABELS & CERTS

ROBIN - MPW113
IDS-001586

SKU : F7U052
Designer: PAER S
Date: 2018-02-01
Rev: v3.4

NOTES

COLOR INFORMATION



C01 PRELIMINARY COLORS

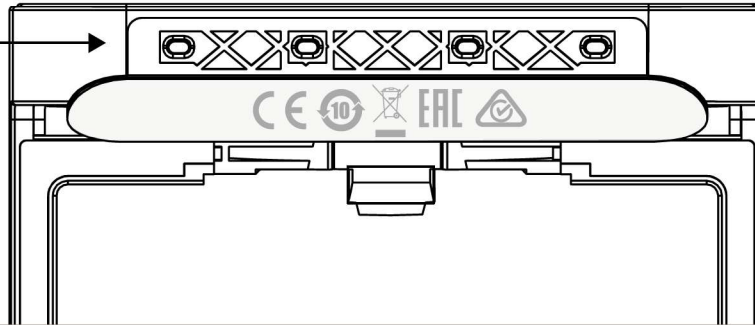
XXXXXXXXXXXX

型號 Model: F7U052
BOOST↑UP™ 無線充電座
輸入 Input: 15V~1.5A 輸出 Output: 10W
FCC ID: K7SF7U052 IC: 3623A-F7U052

Serial No. XXXXXXXXXXXX

PRINT COLOR: GREY LOW CONTRAST, TBD

BASE COLOR: WHITE MATCH FRAME



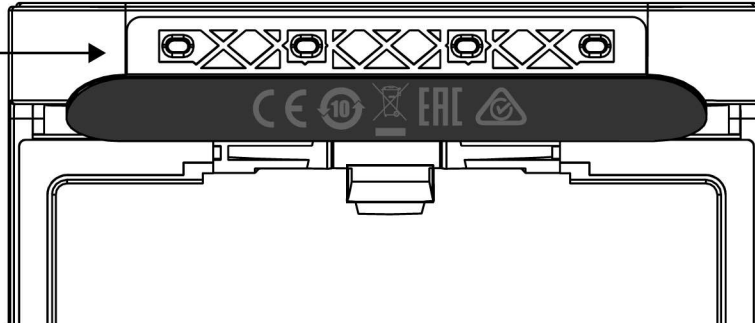
C02

型號 Model: F7U052
BOOST↑UP™ 無線充電座
輸入 Input: 15V~1.5A 輸出 Output: 10W
FCC ID: K7SF7U052 IC: 3623A-F7U052

Serial No. XXXXXXXXXXXX

PRINT COLOR: GREY (TBD) LOW CONTRAST, TBD

BASE COLOR: STICKER BASE COLOR: BLACK MATCH FRAME



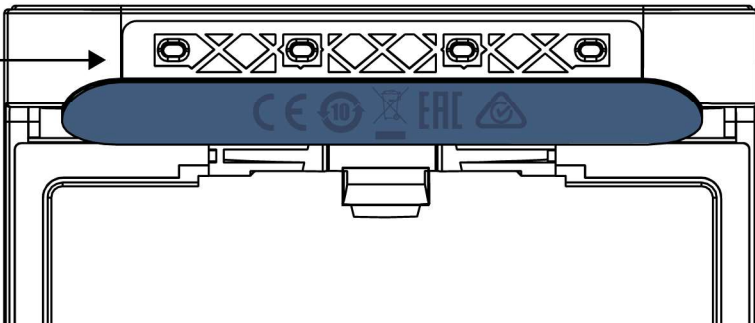
C03

型號 Model: F7U052
BOOST↑UP™ 無線充電座
輸入 Input: 15V~1.5A 輸出 Output: 10W
FCC ID: K7SF7U052 IC: 3623A-F7U052

Serial No. XXXXXXXXXXXX

PRINT COLOR: DARK BLUE (MATCH APPLE SILICONE CASE LOGO)

BASE COLOR: STICKER BASE COLOR: BLUE MATCH FRAME



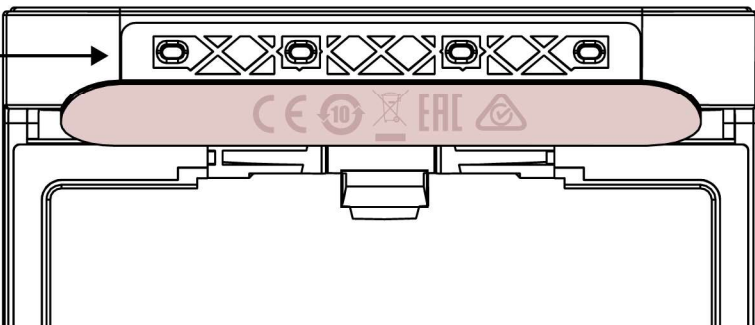
C04

型號 Model: F7U052
BOOST↑UP™ 無線充電座
輸入 Input: 15V~1.5A 輸出 Output: 10W
FCC ID: K7SF7U052 IC: 3623A-F7U052

Serial No. XXXXXXXXXXXX

PRINT COLOR: DARK CORAL (MATCH APPLE SILICONE CASE LOGO)

BASE COLOR: CORAL MATCH FRAME



Wave #1

Wave #2

Wave #3

Wave #4

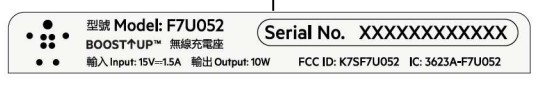
型號 Model: F7U052
BOOST↑UP™ 無線充電座
輸入 Input: 15V~1.5A 輸出 Output: 10W
FCC ID: K7SF7U052 IC: 3623A-F7U052

Serial No. XXXXXXXXXXXX



Designed in California.
Assembled in China
中國製造

SERIAL NUMBER STICKER - SATIN MYLAR
BASE COLOR: MATCH FRAME COLOR
PAD PRINTED GRAPHICS: LOW CONTRAST
PLEASE SEND MYLAR STICKER SAMPLES



12 DIGIT SERIAL NUMBER:

INCREMENTAL NUMBERS: START ON 10001.
RESTART NUMBERING WHEN WEEK OF MANUFACTURE CHANGES.
OPEN ALPHA CODE: TBD, INITIAL STOCK USE 'AA'
LAST TWO DIGITS OF THE CALENDAR YEAR
WEEK MANUFACTURE (0-53)

XXXXXXXXXXXX