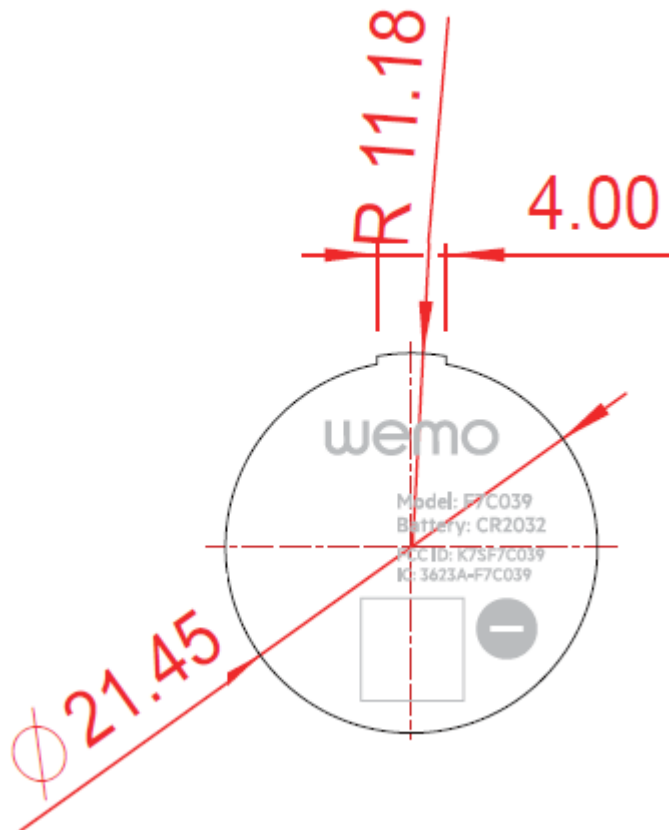
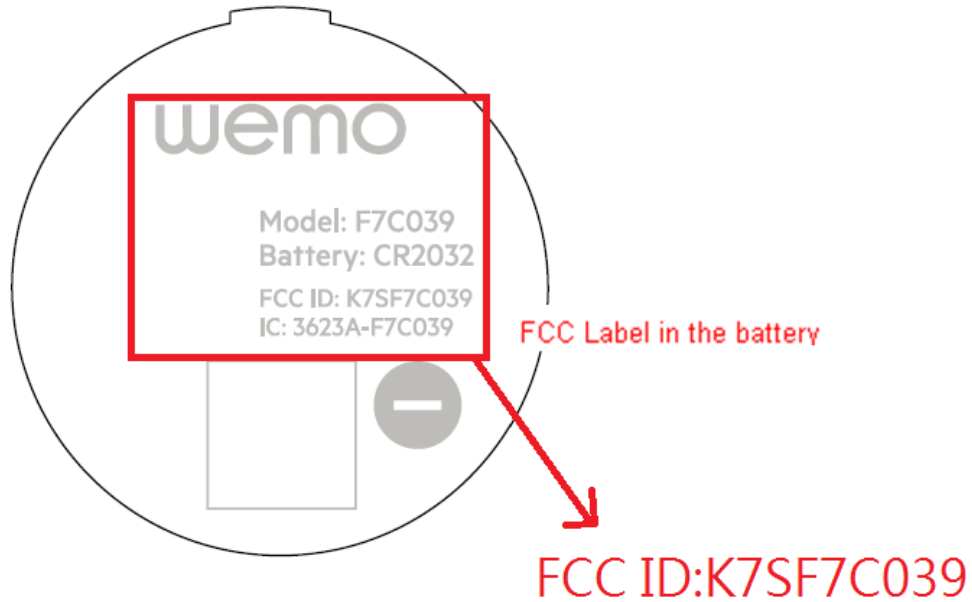


Label FCC LABEL LOCATION

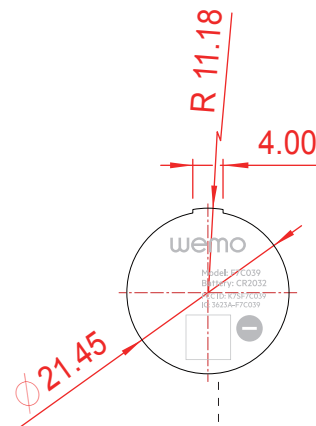
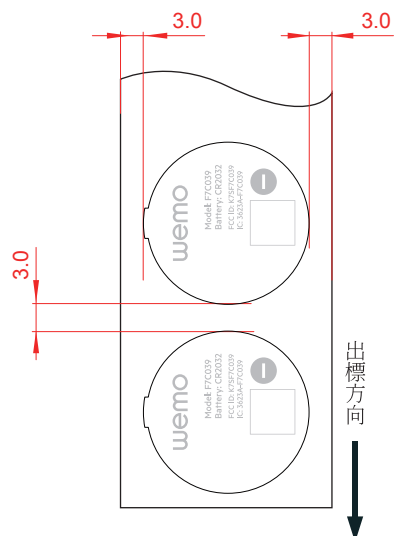
The label will be permanently affixed at a conspicuous location on the device.



(Fig.1) FCC ID: K7SF7C039

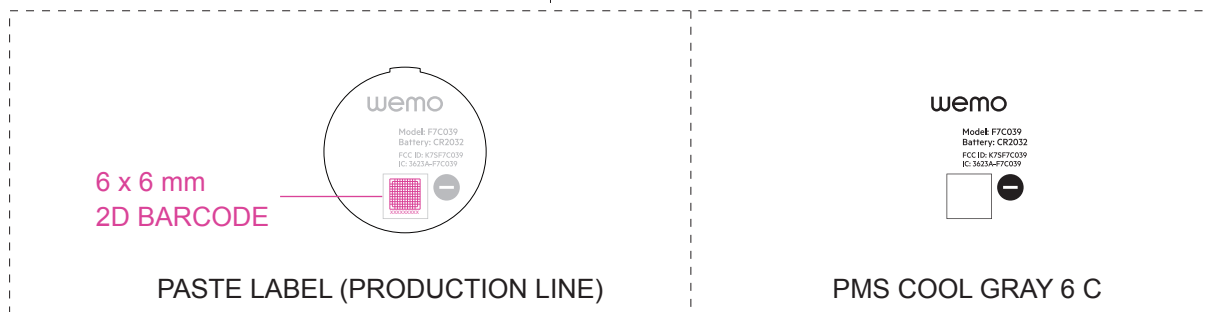
PART NUMBER BLOCK	
PART NUMBER	REV
4L-SHS1L33-001	K


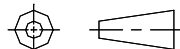
REVISIONS			
REV	DESCRIPTION	DATE	APPROVED
K	RELEASE TO FILE	03/10/15	SANDY CHEN



NOTES:

- MATERIAL: 霧面高溫標籤, t=0.050, 壓克力背膠
- COLOR:
 - 底色為材質原色
 - 印刷: PMS COOL GRAY 6 C
- TEMPERATURE RESISTANT= 260°C/10min, 320°C/10s
- ADHESIVE THICKNESS=0.023±0.002mm.
- 捲狀出貨



		UNLESS OTHERWISE SPECIFIED ALL DIMENSIONS ARE IN mm AND TOLERANCES ARE:				 啟碁科技股份有限公司 20 Park Avenue II, Hsinchu Science Park, Hsinchu 308, Taiwan, R.O.C. Tel: 886-3-6667799 Fax: 886-3-5788726	
		INTEGRAL DIMENSIONS ±0.5 1 PLACE DECIMAL ±0.3		ANGULAR DIMENSIONS ±2° HOLES UNDER Ø5.00 ±0.2			
		MATERIAL: SEE NOTES				DWG TITLE	
		FINISH: SEE NOTES				LABEL, F7C039, BELKIN, SHS1-L3	
SHS1-L3		THIRD ANGLE PROJECTION		DRAWN	HSINYUN LIN	03/10/15	SIZE
NEXT ASSY	USED ON			ENGR	HSINYUN LIN	03/10/15	DWG NO.
APPLICATION				APVD	SANDY CHEN	03/10/15	4L-SHS1L33-001
				SCALE	1/1	SHEET	1 OF 1