

Wireless Broadband Router

User Manual

No part of this publication may be reproduced in any form by any means without the prior written permission. Other trademarks or brand names mentioned herein are trademarks or registered trademarks of their respective companies.

Jan 2003, Draft Version F/W:2.02.00

NOTE

This equipment has been tested and found to comply with the limits for a Class B digital device, pursuant to Part 15 of the FCC Rules. These limits are designed to provide reasonable protection. This equipment generates, uses and can radiated radio frequency energy and, if not installed and used in accordance with the instructions, may cause harmful interference to radio communications. However, there is no guarantee that interference will not occur in a particular installation. If this equipment does cause harmful interference to radio or television reception, which can be determined by turning the equipment off and on, the user is encouraged to try to correct the interference by one or more of the following measures:

- Reorient or relocate the receiving antenna.
- Increase the separation between the equipment and receiver.
- Connect the equipment into an outlet on a circuit different from that to which the receiver is connected.
- Consult the dealer or an experienced radio/TV technician for help.

Changes or modifications not expressly approved by the party responsible for compliance could void the user's authority to operate the equipment.

FCC Radiation Exposure Statement

This equipment complies with FCC RF radiation exposure limits set forth for an uncontrolled environment. This equipment should be installed and operated with a minimum distance of 20 centimeters between the radiator and your body.

Contents

1	Introduction	1
	1.1 Overview.....	1
	1.2 Features	1
	1.3 Package Contents	2
	1.4 System Requirements	3
2	Hardware Description & Installation	5
	2.1 Physical Outlook.....	5
	Front Panel.....	5
	Rear Panel and Connectors	6
	2.2 Hardware Connection.....	7
	Choosing a Place for the Router	7
	Connecting the Wireless Broadband Router	7
3	Setting Up Ethernet/WLAN Client	11
	3.1 Setting up Ethernet Client.....	11
	For Windows 98/ME.....	12
	For Windows NT	13
	For Windows 2000	14
	3.2 Setting up Wireless Client.....	15
	3.3 Checking Connection with the Router.....	16
4	Web Configuration	17
	4.1 Accessing Web-Based Configuration Utility	17
	To enable Your Settings.....	18
	4.2 Viewing System Status	19
	4.3 Configuration for NAT Routing Mode	20
	WAN Configuration for NAT Routing Mode	22
	LAN Configuration for NAT Routing Mode.....	27
	Viewing Current DHCP Assignments.....	28
	4.4 Configuration for Bridge Mode	29

4.5 Wireless LAN (2.4G) Configuration.....	32
4.6 Filters.....	37
Specifying Your IP Filter Rules	37
Filter Types.....	38
Filter Scenario of the Wireless Broadband Router	39
Viewing Filter Log.....	40
Other Firewall Settings	40
4.7 Forwarding.....	42
Setting Up Forwarding Entries	42
If you have a Web server on your network... ..	43
4.8 Administration	45
5 Specification.....	49
5.1 Hardware	49
5.2 Software	50

Safety Instructions

Installing

- Use only the type of power source indicated on the marking labels.
- Use only the power adapter supplied with the product.
- Do not overload wall outlet or extension cords as this may increase the risk of electric shock or fire. If the power cord is frayed, replace it with a new one.
- Proper ventilation is necessary to prevent the product overheating. Do not block or cover the slots and openings on the device, which are intended for ventilation and proper operation. It is recommended to mount the product with a stack.
- Do not place the product near any source of heat or expose it to direct sunshine.
- Do not expose the product to moisture. Never spill any liquid on the product.
- Do not attempt to connect with any computer accessory or electronic product without instructions from qualified service personnel. This may result in risk of electronic shock or fire.
- Do not place this product on an unstable stand or table.

Using

- Power off and unplug this product from the wall outlet when it is not in use or before cleaning. Pay attention to the temperature of the power adapter. The temperature might be high.
- After powering off the product, power on the product at least 15 seconds later.
- Do not block the ventilating openings of this product.
- When the product is expected to be not in use for a period of time, unplug the power cord of the product to prevent it from the damage of storm or sudden increases in rating.

Servicing

Do not attempt to disassemble or open covers of this unit yourself. Nor should you attempt to service the product yourself, which may void the user's authority to operate it. Contact qualified service personnel under the following conditions:

- If the power cord or plug is damaged or frayed.
- If liquid has been spilled into the product.
- If the product has been exposed to rain or water.
- If the product does not operate normally when the operating instructions are followed.
- If the product has been dropped or the cabinet has been damaged.
- If the product exhibits a distinct change in performance.

About This User Manual

For brevity, throughout this manual the “Wireless Broadband Router” is referred to as “the router” or “the device” and following terms or abbreviations are used interchangeably:

- Access Point-AP
- Wireless LAN-WLAN
- Ethernet network-LAN-network

This User Manual contains information on how to install and configure your Wireless Broadband Router to get your network started accessing the Internet. From now on, we will guide you through the correct configuration steps to get your device up and run.

1 Introduction

1.1 Overview

Thank you for choosing this Wireless Broadband Router. The Wireless Broadband Router features a wireless Access Point, a 4-port LAN switch and a WAN port, which extends your existing broadband Cable/ADSL connection. It allows the broadband connection to be shared through either the IEEE 802.11g Access Point feature or the 10/100Base-TX Ethernet switch, which also eliminates the purchase of additional hub or switch. Now your wired and wireless network are integrated to enjoy various bandwidth-consuming applications over the Internet.

With the support of new emerged 802.11g standard, the Access Point provides data transfer of up to 54 Mbps, up to 5 times faster than 802.11b. Since 802.11g operates on the same frequency of 2.4 GHz as 802.11b, it is backwards compatible with existing Wi-Fi devices. The benefit is that you can preserve the existing 802.11b infrastructure while migrating to the new screaming fast 802.11g.

The integrated DHCP server automatically assigns IP addresses to your LAN devices, and with the built-in Network Address Translation (NAT) function, your LAN is protected against outside intruders. The router can also be configured to filter internal access to the Internet. It is designed to provide a reliable Internet access solution for the corporate environment, the small office and the home user.

1.2 Features

- One 10/100 Base-TX RJ-45 auto sensing and crossover Ethernet WAN port for Broadband connection (Cable/DSL or direct Ethernet)
- Four RJ-45 LAN ports for 10/100Base-TX auto sensing & crossover Ethernet Switch LAN connection

- 802.11g Wireless LAN
- Build-in two internal antenna for wireless technology
- PPPoE (PPP over Ethernet) Client with Keep Alive/Connect On Demand Support
- PAP and CHAP Authentication
- DHCP Client
- MAC Address Cloning
- DHCP Server
- NAT
- Firewall Support
- Bridge Mode Support
- 802.1D Spanning Tree Bridging
- IP Filtering, IP Forwarding
- DMZ Hosting
- ASCII/HEX Format 64/128 Bit WEP Key for Wireless LAN
- Allow List for Wireless LAN
- VPN Support (IPSec Passthrough, and PPTP Passthrough)
- Configurable through Web Browser via WAN/LAN
- Software Upgrade
- NTP/Manual System Clock
- Configuration Saving/Retrieving
- Event Log

1.3 Package Contents

Check the contents of the package against the pack contents checklist below. If any of the items is missing, then contact the dealer from whom the equipment was purchased.

- Wireless Broadband Router x1
- Power Adapter and Cord x1
- CD-ROM x1
- RJ-45 Ethernet Cable x1

1.4 System Requirements

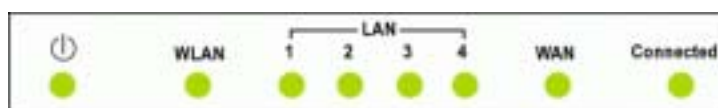
- Broadband Internet Connection using Cable/ADSL modem for Internet connection
- One computer with 10/100Base-T Ethernet card and TCP/IP protocol installed for initial setup
- Internet Explorer 5.0 or higher for Web configuration
- Requirement for each PC on the LAN:
 - TCP/IP protocol installed

2 Hardware Description & Installation

2.1 Physical Outlook


Front Panel

The following illustration shows the front panel of the Wireless Broadband Router :



LED Indicators

The Wireless Broadband Router is equipped with eight LEDs on the front panel as described in the table below (from left to right) :

LEDs	Function	Color	Status	Description
	Power	Green	Off	No power is supplied to the unit.
			Solid	Power is connected to the unit.
WLAN	Wireless Ready/ Activity	Green	Off	WLAN interface is not initialized properly.
			On	WLAN interface is initialized properly and ready.
			Blinking	Transmitting/receiving packets to/from WLAN interface.
LAN 1-4	LAN port Status	Green (100 Mbps)	Off	Power is off or no Ethernet device is connected.

LEDs	Function	Color	Status	Description
		Orange (10 Mbps)	Slowly blinking	Ethernet device is connected.
			Quickly blinking	Transmitting/receiving packets on the LAN port.
WAN	WAN Port Status	Green	Off	Power is off or no broadband device is connected.
			Slowly blinking	Broadband device is connected.
			Quickly blinking	Transmitting/receiving packets on the WAN port.
Connected		Green	Off	Indicates the WAN port does not yet obtain an IP address.
			On	Indicates the WAN port successfully obtains an IP address.

Rear Panel and Connectors

The following figure illustrates the rear panel of your Wireless Broadband Router.



- DC 5V/2.8A: Power connector
- LAN Ports 1-4: RJ-45 Connectors. Integrated 4-port 10/100BaseT switch. Connects to a hub, switch or NIC-equipped PC in your network. The LAN ports support Auto-MDIX feature which eliminates the need for crossover cables.
- Internet / WAN: RJ-45 connector. Connects to the Cable/ADSL Modem. The WAN port also supports Auto-MDIX feature which eliminates the need for crossover cables.
- Reset button

To reset the device to factory defaults, insert a straightened paperclip into the **Reset** hole to press the button. Keep pressing and power cycle (off and on) the device. Wait for at least 5 seconds to release the button. Then wait for the device to finish booting.

If you want to restore your customized settings after loading defaults, refer to “4.8 Administration” for more information.

2.2 Hardware Connection

Choosing a Place for the Router

- Place the device close to the power outlet for the cable to reach it easily.
- Avoid placing the device in places where people may walk on the cables. Also keep it away from direct sunshine or heat sources.
- Place the device on a flat and stable stand.

Connecting the Wireless Broadband Router

Prior to connecting the hardware, make sure to power off your Ethernet device, Cable/ADSL modem and Wireless Broadband Router. Then follow the steps below to connect the related devices.

Step 1 Connecting Your PC to the LAN port.

Attach one end of the Ethernet cable with RJ-45 connectors to your hub, switch or a PC's Ethernet port, and the other end to one of the **LAN** ports of your Wireless Broadband Router.

Step 2 Connecting Cable/ADSL Modem to the Internet/WAN port.

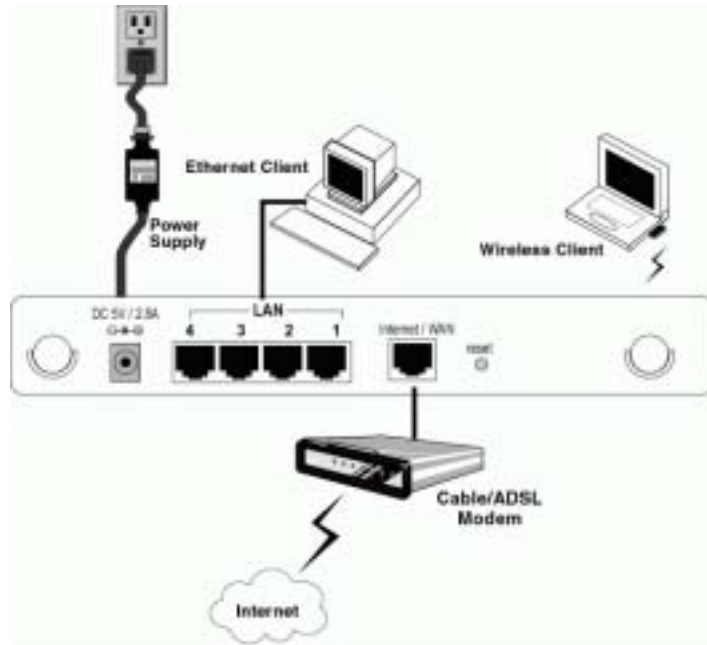
Connect the Ethernet cable attaching to your Cable/ADSL modem to the **Internet/WAN** port of your Wireless Broadband Router.

Step 3 Connecting the power adapter.

Connect the single DC output connector of the power adapter to the power jack on the back of the Wireless Broadband Router. Then connect the supplied power cord to the power adapter and the other end to an AC outlet.

Step 4 Turn on the power switch.

The figure below illustrates a connection diagram example:



3 Setting Up Ethernet/WLAN Client

To access the Wireless Broadband Router via Ethernet or wireless network, you must properly configure the network settings of your Ethernet or wireless client PC. As the Wireless Broadband Router is configured with the **default IP address of 192.168.1.1** and **subnet mask of 255.255.255.0**, and its **DHCP server is enabled by default**, you can configure your PC's TCP/IP settings as one of the following:

1. To use dynamic IP: Set your PC to be DHCP client to accept the dynamic IP from the router.
2. To use static IP: Set the IP address as **192.168.1.x** (x is between 2 and 254), subnet mask as **255.255.255.0** and the gateway as **192.168.1.1** to be on the same subnet with the router.

This chapter describes how to configure your PC to be a DHCP client for initial connection to the device. If you have modified the router's network setting, your LAN/WLAN clients should make appropriate changes in order to make successful connection.

3.1 Setting up Ethernet Client

To access the Wireless Broadband Router via Ethernet, make sure your PC is equipped with Ethernet network card and has appropriate network card driver and TCP/IP installed.

Note:

1. If TCP/IP protocol is not installed on your PC, refer to Windows documentations for installation instructions.
 2. For initial verification, we suggest that you connect only one PC directly to an Ethernet port on the Wireless Broadband Router, not through a hub.
-

For Windows 98/ME

- Step 1 Click on the **Start** menu, point to **Settings** and click on **Control Panel**.
- Step 2 Double-click the **Network** icon.
- Step 3 In the **Network** window, highlight **TCP/IP** protocol for your NIC and click **Properties**.
- Step 4 On the **IP Address** tab, select **Obtain an IP address automatically**. Then click **OK**.



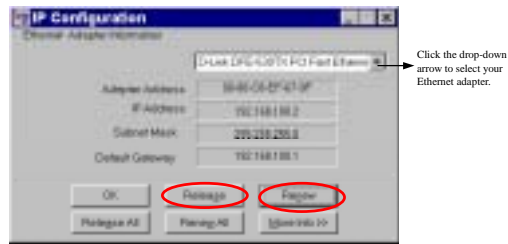
- Step 5 If your network settings is changed, you will be prompted with **System Settings Change** dialog box, click **Yes** to restart your computer.

Checking/Renew IP Address under Windows 98/ME

The following steps help you verify if your network adapter gets an IP address within the DHCP IP pool range (192.168.1.100 ~ 192.168.1.150 by default) of the router. If not, you may need to renew the IP information.

- Step 1 From the **Start** menu, click **Run** to open the **Run** dialog box.
- Step 2 Enter **winipcfg** in the dialog box and then click **OK**.

- Step 3 Select the Ethernet or WLAN adapter from the drop-down list to show the IP address. If necessary, click **Release** and then **Renew** to get a new IP address.



For Windows NT

- Step 1 Click **Start**, point to **Settings**, and then click **Control Panel**.
- Step 2 Double-click the **Network** icon.
- Step 3 On the **IP Address** tab, click on the drop-down arrow of **Adapter** to select required adapter. Enable **Obtain an IP address from a DHCP server** and then click **OK**.



- Step 4 When returning to **Network** window, click **Close**.
- Step 5 When prompted with **Network Settings Change** dialog box, click **Yes** to restart your computer.

Checking/Renew IP Address under Windows NT

The following steps help you verify if your network adapter gets an IP address within the DHCP IP pool range (192.168.1.100 ~ 192.168.1.150 by default) of the router. If not, you may need to renew the IP information.

- Step 1 Click **Run** from the **Start** menu to open the **Run** dialog box.
- Step 2 Type **cmd** in the dialog box and then click **OK**.
- Step 3 At prompt, type **ipconfig** to see the IP information from DHCP server.
- Step 4 If you want to get a new IP address, type **ipconfig /release** to release the previous IP address and then type **ipconfig /renew** to get a new one.

For Windows 2000

- Step 1 From the **Start** menu, point to **Settings** and then click **Network and Dial-up Connections**.
- Step 2 Right-click the **Local Area Connection** icon and then click **Properties**.
- Step 3 On the **General** tab, highlight **Internet Protocol (TCP/IP)** and then click **Properties**.
- Step 4 Enable **Obtain an IP address automatically** and then click **OK**.



Checking/Renew IP Address under Windows 2000

To verify if your network adapter gets an IP address within the DHCP IP pool range (192.168.1.100 ~ 192.168.1.150 by default) of the router, follow the related description under Windows NT section. The procedures are the same.

3.2 Setting up Wireless Client

You can also choose to access the router via a wireless client, whether for configuration purpose or sharing network resource and Internet connection. To get your wireless client connected to the router, verify the following:

1. Make sure your PC is equipped with WLAN adapter and has appropriate WLAN card driver/utility and TCP/IP installed.
2. Set the WLAN client to obtain a dynamic IP address from the Wireless Broadband Router.

The procedures are the same as described above. The only difference is that you are configuring the TCP/IP associated with your Wireless LAN Card.

3. Verify that your WLAN setting is identical to the router's default wireless settings:
 - **Operation Mode:** Infrastructure
 - **SSID:** Refer the default SSID of the device
 - **Authentication:** Open
 - **WEP Mode:** Disabled

3.3 Checking Connection with the Router

You can use the Ping command to verify whether or not your Ethernet/Wireless client has successfully connected to the Wireless Broadband Router.

To execute ping command, open the DOS window and ping the IP address of the router at the DOS prompt. For example:

```
ping 192.168.1.1
```

If the following response occurs:

```
Reply from 192.168.1.1 bytes=32 time=100ms TTL=253
```

Then the connection between the Wireless Broadband Router and the network has been successfully established.

Otherwise, if you get a failed ping with the response of:

```
Request time out
```

Then the connection is fail. Verify your network setting is correct. For Ethernet client, also check the cable between the router and the PC.

4 Web Configuration

4.1 Accessing Web-Based Configuration Utility

Once your PC is properly configured as described in "3. Setting Up Ethernet/WLAN Client", you can proceed as follows for initial configuration:

1. Start your Web browser and type **http://192.168.1.1** in the URL field. This address is the default private IP of your router.
2. After connecting to the device, you will be prompted to enter the username and password. Leave the username empty and enter the default password of **admin**.



Figure 4-1 Login to Web Configuration Utility

After you login, the **System Overview** page of the Wireless Broadband Router displays. From now on the Wireless Broadband Router acts as a Web server sending HTML pages/forms on your request. You can click the menu options at the top to start your configuration task.

While working with this Web Configuration Utility, corresponding configuration fields are displayed according to your specific selection to avoid any possible conflicting setting. In addition, should you input invalid values, the utility provides instant prompt to help you recover from error inputs.

To enable Your Settings

After you have customized the settings and then click the **Apply** button, the device will begin registering your settings. You will be prompted to wait for a few seconds for the router to commit changes to permanent storage. During this process, it is important not to switch on or off the router otherwise damage may be caused to the device.

After the settings have been registered, the screen will return to previous page and the settings are effective. You may then proceed with other configuration tasks.

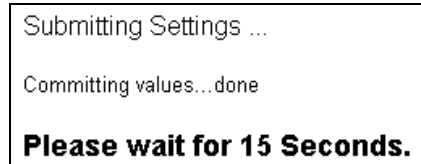


Figure 4-2 Apply Changes

4.2 Viewing System Status

Clicking **System Overview** in the menu bar will display the **System Overview** page which shows the basic information of your Wireless Broadband Router, including the system, WAN/LAN interface and Wireless LAN interface information. You may click the **Update** button to update the overall status.

If firewall is enabled, an additional item **Firewall** is displayed at the bottom of the page. Clicking the **Show Log** button under this item will display the firewall activity log in a separate window.

System Overview	WAN	LAN	Wireless LAN (2.4G)	Filter	Extending	Administration						
 This page displays summary for the router status. Click the buttons to update <input type="button" value="Update"/>												
System		System Time: 18:00:01, 08-28-11 Firmware Version: 2.00.00										
WAN Interface		WAN/LAN Protocol: NAT Routing Protocol: DHCP Client MAC Address: 08-90-90-34167-c4 IP Address/Subnet Mask: 0.0.0.0 / 0.0.0.0 Default Gateway: DNS Servers: WINS Servers: Host Name: Domain Name:										
LAN Interface		MAC Address: 08-90-90-34167-c4 IP Address/Subnet Mask: 192.168.1.1 / 255.255.255.0 DHCP Server: Enabled Active DHCP Leases: <table border="1" data-bbox="798 1008 1061 1064"> <thead> <tr> <th>MAC Address</th> <th>IP Address</th> <th>Expires In</th> </tr> </thead> <tbody> <tr> <td>80:05:5d:a6:3e:40</td> <td>192.168.1.100</td> <td>37 seconds</td> </tr> </tbody> </table>					MAC Address	IP Address	Expires In	80:05:5d:a6:3e:40	192.168.1.100	37 seconds
MAC Address	IP Address	Expires In										
80:05:5d:a6:3e:40	192.168.1.100	37 seconds										
Wireless LAN (2.4G) Interface		Access Point Name: 870uW SSID: 870uW BSSID: 08-90-90-34168-75 Channel ID: 11										
Firewall		Activity Log <input type="button" value="Show Log"/>										

Figure 4-3 System Overview

4.3 Configuration for NAT Routing Mode

Prior to configuring your Wireless Broadband Router, you must decide whether to configure the device as a router or as a bridge. This section only describes how to set up the device to act as a router. For bridge configuration, see "4.4 Configuration for Bridge Mode" for instructions.

When operating as a router, the device communicates with your ISP through the WAN port. Depending on the connection type offered by your ISP, you may get the WAN IP address by one of the following means:

- **DHCP Client:** In this connection type, your router acts as a DHCP client and requests IP information from the DHCP server on the ISP side. Select this option if your ISP assigns you with a dynamic IP address each time you log on.
- **PPPoE Client:** Some ISPs use a PPPoE session to make connection with their clients. If this is the case, you should enable this option and finish the PPPoE Client settings. The WAN port of the device will be assigned a public IP address from your ISP's server.
- **PPTP Client:** This router supports VPN (Virtual Private Network) pass-through for both PPTP (Point-to-Point Tunneling Protocol) and IPSec (IP Security). VPN allows corporations to extend their own corporate network through private "tunnels" over the public Internet. Effectively, a corporation uses a wide-area network as a single large local area network. A company no longer needs to lease its own lines for wide-area communication but can securely use the public networks.
- **Manual Config:** If your ISP assigns you a fixed IP address, you should select this option and manually enter the IP information provided by your ISP.

Different configuration items will be displayed depending on your connection type. Consult with your ISP which option applies to you

and obtain related information for correct configuration. Then proceed to finish the following procedures.

WAN Configuration for NAT Routing Mode

Click **WAN** in the configuration menu to enter the WAN configuration page and carry out the procedures below.

Part 1. Configuring general settings.

1. In the **WAN/LAN Relation** item, select the **NAT Routing** option.

This option allows the device to act as a router and use the built-in NAT function to translate your multiple private IP addresses to a single public IP address. However, only outgoing requests are allowed to pass through the device unless you specify otherwise. Outside users cannot see your private local IP addresses. This leaves your home or business network hidden from outside intruders.

2. In the **Protocol** item, select a protocol type according to the connection type offered by your ISP.

3. If required, in the **MAC Address** field, enter your network adapter's MAC address in the format of xx:xx:xx:xx:xx:xx. Otherwise just keep the default values.

This field allows you to clone a network adapter's MAC address to the WAN port of the router. Some ISPs use the MAC address of NIC, which was connected to your Cable/ADSL modem, for static mapping and thus give you the same IP address each time the Cable/ADSL modem requests for IP address for the Ethernet port. If this is the case, this feature removes the need of asking your ISP to change the registered MAC address and you can still use the same given IP for the router's WAN port.

4. In the **Host Name** field, you may supply a host name for this router if this is required by your ISP. Some ISPs only respond to a DHCP request with a valid "Host Name". If a host name is not necessary for your ISP, just leave it blank.

Part 2. Configuring protocol settings

According to the connection type you selected above, proceed to set up related parameters.

↳ DHCP Client

If DHCP Client is your option, no other configuration is needed. You may just click **Apply** to end your WAN settings. After the connection to your ISP is established, the information provided by your ISP will be displayed in the **Status** group.

General	WAN/LAN Role(s): <input checked="" type="radio"/> NAT Routing <input type="radio"/> NATing Protocol: <input checked="" type="radio"/> DHCP Client <input type="radio"/> PPPoE Client <input type="radio"/> PPPoE Client <input type="radio"/> Manual Config MAC Address: 00:00:00:12:01:23 Host Name: <input type="text"/>
Status	IP Address/Subnet Mask: 0.0.0.0/0.0.0.0 Default Gateway: DNS Servers: WINS Servers: Domain Name:

Figure 4-4 WAN Configuration-DHCP Client

↳ PPPoE Client

If PPPoE Client is your option, configure these fields as required by your ISP.

PPPoE Connection Status: This item is not configurable. It displays whether the connection is up or down.

Username/Password: Enter the username and password provided by your ISP used to log on to Internet connection.

Connection Mode: Select your PPP connection from these options:

Keep Alive: This feature will keep your PPPoE-enabled Internet connection always alive. This is done by sending echo requests periodically to ISP to prevent the connection from being terminated by ISP.

Connect on Demand: If enabled, the router will trigger a PPP session for connection to the Internet if any client PC on your LAN sends out a request for Internet access. However, the router automatically disconnects the PPP session after the WAN connection has been idle for the amount of time you specified in the **Max Idle Time** box. If your Internet account is billed based on the amount of time of your Internet connection, you probably want to enable this option and enter an idle time value best suitable for your network.

Manual Connect: If enabled, the system administrator can manually connect or disconnect the PPP session by clicking the **Connect/Disconnect** buttons in this page.

MTU/MRU: Allows you to adjust the Maximum Transmission/Receive Unit in bytes for the WAN interface. You may need to adjust the values to a smaller size if the servers of your ISP do not support full size frame packets. The packets larger than the specified values will be fragmented and the performance may therefore be influenced.

It's suggested not to modify the MTU/MRU settings unless instructed by your ISP.

After you finish the WAN settings, click **Apply** to submit your changes.

General	WAN/LAN Relation: Protocol: <input checked="" type="radio"/> DHCP Client <input checked="" type="radio"/> PPPoE Client <input type="radio"/> PPTP Client <input type="radio"/> Manual Config MAC Address: 080058C3011209 Host Name:	<input type="checkbox"/> NAT Routing <input type="checkbox"/> Bridging <input type="checkbox"/> DHCP Client <input checked="" type="radio"/> PPPoE Client <input type="radio"/> PPTP Client <input type="radio"/> Manual Config
PPPoE Client	PPPoE Connection Status: Username: Password: Connection Mode: MTU: 1454 MRU: 1454	Down <input checked="" type="checkbox"/> Keep Alive <input type="checkbox"/> Connect on Demand, Max Idle Time: 5 min <input type="checkbox"/> Manual Connect <input type="button" value="Connect"/> <input type="button" value="Disconnect"/>
<input type="button" value="Apply"/> <input type="button" value="Cancel"/>		

Figure 4-5 WAN Configuration-PPPoE Client

▷ PPTP Client

If PPTP Client is your option, configure these fields as required.

Username/Password: Enter the access credentials, i.e., username and password, for the router to initiate a PPTP connection to the PPTP server.

Server IP Address: Enter the IP address of the PPTP server.

IP Address/Subnet Mask: Enter the Internet IP address/subnet mask that the ISP assigns to this router for reaching the PPTP server.

Idle Disconnect: If checked, enter the amount of time the router will maintain the PPTP connection to when there is no traffic.

The screenshot shows a web configuration page for WAN settings. The 'General' tab is selected, and the 'WAN/LAN Relations' section is active. Under 'WAN/LAN Relations', the 'Protocol' is set to 'PPTP Client'. The 'MAC Address' is displayed as '00-00-00-3d-b7-ca' and the 'Host Name' field is empty. The 'PPTP Client' section contains fields for 'Username', 'Password', 'Server IP Address', 'IP Address', and 'Subnet Mask', all of which are currently empty. There is a checkbox for 'Idle Disconnect' with a text input field for 'minutes if no activity'. At the bottom of the form, there are 'Apply' and 'Cancel' buttons.

Figure 4-6 WAN Configuration-PPTP Client

Manual Config

If Manual Config is your option, configure these fields as required by your ISP.

IP Address/Subnet Mask: Enter the fixed IP address and subnet mask given by your ISP in respective fields. The default values are 0.0.0.0/0.0.0.0.

Default Gateway: The IP address of the default gateway of the router. It is the IP that the router first contact to communicate with the Internet. The default is 0.0.0.0.

DNS Servers: Specifies the IP address of the Domain Name Server. Your LAN side DHCP clients use the DNS to map a domain name to its corresponding IP address and vice versa. Up to three DNS servers are allowed. If no DNS server is specified or the specified servers are not available, the router will automatically assign a DNS server to the DHCP clients.

WINS Servers: Optional for Windows Internet Names Service. Enter the IP addresses of WINS servers if required.

Host Name & Domain Name: Optional. Allows you to supply host and domain name for the router.

After you finish the WAN settings, click **Apply** to submit your changes.

Figure 4-7 WAN Configuration-Manual Config

LAN Configuration for NAT Routing Mode

Your router communicates with your LAN through its LAN port. The LAN configuration page allows you to define the private IP address and DHCP server settings over the LAN interface.

1. In **Manual Config > IP Address & Subnet Mask** field, enter the IP address and subnet mask for the LAN port.

By default, the IP address and subnet mask of the LAN port is **192.168.1.1** and **255.255.255.0** respectively. Note that if you change the private IP address and apply the changes, the PC from which you configure the router will lose the communication to the router. To reconnect, you will need to renew the IP address of the PC or change to an IP address compatible with the new LAN port IP address.

2. In **DHCP Server > Service** field, select whether to enable DHCP service on the LAN port.

The Wireless Broadband Router implements a built-in DHCP (Dynamic Host Configuration Protocol) server on its LAN interface, which dynamically assigns IP addresses to the DHCP clients on the LAN/WLAN. The DHCP server also provides a default gateway (the router's LAN IP address) and DNS addresses for DHCP clients to access the Internet. DHCP function spares you the hassle of manually assigning a fixed IP address to each PC on the LAN/WLAN. It is probably you already have a DHCP server on your network and you do not enable this function. DHCP server is enabled by default.

Note: It is not allowed to have two DHCP servers running on one LAN at the same time. If you decide to enable the DHCP on this router, remember to disable the DHCP function of the other device.

If you disable DHCP server, just click **Apply** to submit your changes. Otherwise proceed to next step.

3. If DHCP server is enabled, enter the fields below:

DHCP Lease Time: Specify the time that a network device can lease a private IP address before the DHCP server reassigning the IP address.

IP Pool Range: Specify the starting and ending IP address of the IP address pool. Whenever a network device requests an

Internet session, the router will allocate an unused IP address from this pool and lease them to the device for a specified amount of time.



Figure 4-8 LAN Configuration in Router Mode

Viewing Current DHCP Assignments

When DHCP server function is enabled for your LAN, the router keeps a record of any machine (either Ethernet or Wireless node) that has leased IP from the specified IP pool. The DHCP lease table is displayed under **System Overview > LAN Interface**:

LAN Interface		MAC Address: 00:90:40:10:00:2A
IP Address/Subnet Mask:		192.168.1.1 / 255.255.255.0
DHCP Server:		Enabled
Active DHCP Leases:		
MAC Address	IP Address	Expires In
00:05:5d:a6:3e:e9	192.168.1.100	46 seconds
00:90:96:00:45:32	192.168.1.101	expired

Figure 4-9 DHCP Lease Table

4.4 Configuration for Bridge Mode

A bridge connects two or more LANs together and bases the forwarding decision on the MAC address. Under Bridge mode, filters and forwarding are not applicable. Acting as a bridge, the device supports DHCP server service. To set up the bridge mode, perform the procedures below.

Part 1. Enable bridging function.

Go to the WAN configuration page and select the **Bridging** option as the **WAN/LAN relation** and then click **Apply** to commit the changes.



Figure 4-10 Enabling Bridging

Part 2. LAN configuration.

1. In the **Protocol** item, select **DHCP Client** or **Manual Config** as required.

DHCP Client: Select this option if there is already a DHCP server in your network which assigns IP to this bridge. If enabled, no further configuration is needed since the DHCP server will pass the required IP information. Click **Apply** to submit your changes.

Note: After committing the settings, your configuring PC may lose connection to the device. To reconnect, you will need to make sure the PC uses an IP address in the same subnet as the device.



Figure 4-11 Bridge Mode-DHCP Client

Manual Config: If enabled, manually enter the IP address and its subnet mask in **IP Address & Subnet Mask** fields.

2. For **Manual Config** setting only, in **DHCP Server > Service** item, select whether to have your bridge act as a DHCP server.

If you disable DHCP service, no further configuration is required. Just **Apply** to submit your changes.

Note: After committing this setting, your configuring PC may lose connection to the device. To reconnect, you will need to make sure the PC uses an IP address in the same subnet as the manually entered IP.

If DHCP server service is enabled, proceed to set up the items below:

DHCP Lease Time: Specify the time that a network device can lease a private IP address before the device reassigning the IP address.

IP Pool Range: Specify the starting and ending IP address of the IP address pool. Whenever a network device requests an Internet session, the device will allocate an unused IP addresses from this pool and lease them to the device for a specified amount of time.

Default Gateway & DNS Servers: Specify the default gateway and DNS servers for your network. These settings allow your network to access the Internet

After finishing the settings above, click **Apply** to submit the changes.

Note: Under Manual Config setting, after DHCP Server takes effect, your configuring PC will need to renew its IP address to connect to the device.

System Overview	WAN	LAN	Wireless LAN	Filter	Forwarding	Administration
This page configures the LAN interface. It also applies to Wireless LAN interface.						
General		MAC Address 02:00:00:00:00:00	Port 1	<input type="checkbox"/> Manual Config <input checked="" type="checkbox"/> DHCP Client		
Manual Config		IP Address [0.0.0.0]	Subnet Mask [255.255.255.0]	Default Gateway [0.0.0.0]		
DHCP Status		Status DHCP Lease Time	<input type="checkbox"/> Enable <input checked="" type="checkbox"/> Disable	<input type="checkbox"/> Static <input checked="" type="checkbox"/> Dynamic		
		IP Pool Range [0.0.0.0] - [0.0.0.0]	IP Pool Size [0.0.0.0]	IP Pool [0.0.0.0]		
		DHCP Servers []	DHCP Servers []	DHCP Servers []		
<input type="button" value="Apply"/> <input type="button" value="Cancel"/>						

Figure 4-12 Bridge Mode-Manual Config

4.5 Wireless LAN (2.4G) Configuration

The Wireless Broadband Router implements Access Point capability which connects wireless clients to a wired LAN. It allows wireless nodes to access network resources and share the broadband Internet connection. With the default values, the router (Access Point) can be easily associated by a wireless client. We suggest that you customize the wireless settings to prevent unauthorized association.

▫ Basic Configuration

Access Point Name: The name used for identifying the Access Point.

SSID: Service Set ID. It uniquely identifies a logical network domain name of your WLAN. The default value is **IEEE 802.11 LAN**.

Network Type: An **Open** AP will periodically broadcast its SSID to allow the wireless clients to recognize their presence. However, this creates a security hole since any wireless station with SSID set to "any" or got the broadcast may associate to your AP. It is recommended to set this option to **Closed** to have your AP only accept stations whose SSID are the same as this AP.

Country: Select the country where you use this AP. When the country setting is changed, the AP scans only the legal frequency channels allowed in that regulatory domain.

Channel ID: The radio frequency used for communication. Available channels vary according to the regulations in the country you specified in the **Country** drop-down list. Select a channel out of the available channels or use the default channel.

▫ Security

Data Encryption (WEP Mode): WEP (Wired Equivalent Privacy) is an authentication algorithm which encrypts your data and protects your Wireless LAN against eavesdropping.

WEP is disabled by default. If you want to protect your data when it is transferred from one station to another, you should enable this security option. For security concern, we strongly suggest you enable WEP function.

To enable WEP, select **64 bits** or **128 bits** option as the encryption algorithm. The higher the bit number, the greater the complexity and the security of the encryption.

Authentication Mode: Authentication is a process in which the AP validates if wireless clients are qualified to access the AP's service. This happens prior to any wireless client can associate to an AP. The IEEE 802.11b defines two types of algorithms in authentication: the "Open System" and "Shared Key".

With **Open System**, the authentication is done through a pseudo process, accepting all kinds of requests, mainly used in cases where connectivity is more important than security. **Shared Key**, on the other hand, utilizes WEP capability to further verify if the wireless client is authorized to share this AP's resource. If the client has the wrong key or no key, it will fail authentication and will not be allowed to associate with the AP.

If you select **Open System or Shared Key**, wireless stations can communicate with or without data encryption.

WEP Keys: Enter one to four WEP keys in either ASCII or Hexidecimal format. Note that when using Hexidecimal format, only digits 0-9 and letters A-F, a-f are allowed. Valid key length for each encryption type is as below:

	HEX Format	ASCII Format
64 Bit	10 hexadecimal digits	5 ASCII characters
128 Bit	26 hexadecimal digits	13 ASCII characters

Aside from entering your WEP keys, you should select one of the four keys to encrypt the data before being transmitted. The AP always transmits data encrypted using this WEP Key. The key number (1,2,3,4) is also transmitted. The receiving station will use the key number to determine which key to use for decryption. If the key value does not match with the transmitting station, the

decryption will fail. To ensure successful decryption, have your wireless stations set identical key tables.

Note: All Wireless Stations must use identical encryption algorithm level and Key values (same key position in its key table) to ensure successful data transmission.

▫ **Access Control**

MAC Address Access Control: The device also supports authentication based on the MAC address of a wireless client. If this function is enabled, the AP will allow association by a client only if that client's MAC address matches an address in the **Allow List**.

To enable this function, select the **Enable** option and then manually key in MAC address in the Allow List. Up to 16 MAC entries are allowed.

▫ **Advanced Configuration**

We suggest you not to modify the Advanced parameters unless specific requirement is required. The parameters are described as below:

Beacon Interval: Defines the periodic interval at which the 802.11 WLAN Access Point sends out a beacon.

RTS Threshold: Request to send threshold. It specifies the packet size beyond which the AP invokes its RTS/CTS mechanism. Packets that exceed the specified RTS threshold trigger the RTS/CTS mechanism.

Fragment Threshold: It determines whether packets will be fragmented and at what size. On an 802.11 wireless LAN, packets exceed the fragmentation threshold are fragmented, i.e., split into, smaller units suitable for the circuit size. On the other hand, packets smaller than the specified fragmentation threshold value are not fragmented.

DTIM: Specifies the Deferred Traffic Indicator Map (DTIM) period. This value determines at which interval the AP will send the next

DTIM when the AP has buffered broadcast or multicast messages for associated clients. Its clients hear the beacons and awaken to receive the broadcast and multicast messages. The default value is 3.

Rate: Sets the rate of data transmission according to the speed of your wireless network. You can select from a range of transmission speeds (from 1 to 54 Mbps) or keep the default setting, **Auto**, to have the AP automatically use the fastest possible data rate and enable the auto-fallback feature.

Basic Rate Set: Sets what data rate control and management frames will be transmitted at. The **Default** option uses 1 or 2 Mbps for 802.11b and 6, 12 or 24Mbps for 802.11g. The **All** option uses 1, 2, 5.5, 6, 11, 12, 18, 24, 36, 48, or 54Mbps.

54g™ Mode: Allows you to choose the 54g mode between **54g Auto**, **54g Performance** and **802.11b Only**.

System Overview	WAN	LAN	Wireless LAN (WLAN)	Filter	Extending	Administration																	
 This page configures the IEEE 802.11g/b/g Wireless LAN interface.																							
Basic		Access Point Name: <input type="text" value="PIT7001"/> SSID: <input type="text" value="Party"/> Network Type: <input type="text" value="Open"/> Country: <input type="text" value="Worldwide"/> Channel: <input type="text" value="11"/>																					
Security		Data Encryption (WEP): <input type="text" value="ON"/> Authentication Mode: <input type="text" value="Open System or Shared Key"/> WEP Keys: <table border="1"> <tr><td>WEP 1:</td><td><input type="text"/></td></tr> <tr><td>WEP 2:</td><td><input type="text"/></td></tr> <tr><td>WEP 3:</td><td><input type="text"/></td></tr> <tr><td>WEP 4:</td><td><input type="text"/></td></tr> </table>		WEP 1:	<input type="text"/>	WEP 2:	<input type="text"/>	WEP 3:	<input type="text"/>	WEP 4:	<input type="text"/>												
WEP 1:	<input type="text"/>																						
WEP 2:	<input type="text"/>																						
WEP 3:	<input type="text"/>																						
WEP 4:	<input type="text"/>																						
Access Control		MAC Address Access Control: <input type="checkbox"/> Enable <input checked="" type="checkbox"/> Disable Allow List: <table border="1"> <tr><td><input type="text"/></td><td><input type="text"/></td></tr> <tr><td><input type="text"/></td><td><input type="text"/></td></tr> <tr><td><input type="text"/></td><td><input type="text"/></td></tr> <tr><td><input type="text"/></td><td><input type="text"/></td></tr> <tr><td><input type="text"/></td><td><input type="text"/></td></tr> <tr><td><input type="text"/></td><td><input type="text"/></td></tr> <tr><td><input type="text"/></td><td><input type="text"/></td></tr> <tr><td><input type="text"/></td><td><input type="text"/></td></tr> </table>		<input type="text"/>	<input type="text"/>	<input type="text"/>	<input type="text"/>	<input type="text"/>	<input type="text"/>	<input type="text"/>	<input type="text"/>	<input type="text"/>	<input type="text"/>	<input type="text"/>	<input type="text"/>	<input type="text"/>	<input type="text"/>	<input type="text"/>	<input type="text"/>				
<input type="text"/>	<input type="text"/>																						
<input type="text"/>	<input type="text"/>																						
<input type="text"/>	<input type="text"/>																						
<input type="text"/>	<input type="text"/>																						
<input type="text"/>	<input type="text"/>																						
<input type="text"/>	<input type="text"/>																						
<input type="text"/>	<input type="text"/>																						
<input type="text"/>	<input type="text"/>																						
Advanced		Beacon Interval: <input type="text" value="100"/> (1.00sec) RTS Threshold: <input type="text" value="2347"/> (bytes) Fragment Threshold: <input type="text" value="2348"/> (bytes) DTIM Interval: <input type="text" value="3"/> Rate: <input type="text" value="11Mbps"/> Basic Rate Set: <input type="text" value="All"/> 802.11 Mode: <input type="text" value="802.11g Auto"/>																					
<input type="button" value="Apply"/> <input type="button" value="Cancel"/>																							

Figure 4-13 Wireless LAN Configuration

4.6 Filters

When your Wireless Broadband Router operates as a router, the built-in NAT function provides your LAN with the Internet access via the single public IP of the WAN port. That means all network devices are allowed to access various Internet service. Under this circumstance, network security becomes an important issue and system administrators may need to build access control to protect the network.

The filter feature serves as a basic firewall security measure for your network. When filter function is enabled, the Wireless Broadband Router inspects all data packets arrive from LAN side and determines if packets are allowed to pass through the WAN port depending on whether packets match your filter rules and whether your filter type is Listed Pass or Listed Block.

In addition to filter settings, the Filters page also allows to configure other firewall settings, including WAN Management, WAN Port Ping Reply and Report Log to TFTP Server.

Specifying Your IP Filter Rules

If you are going to specify your filter rules, follow the procedures below:

1. In the **Firewall** item, select the **Enable** option.
2. In the **Filter Type** item, select the action (**Listed Pass** or **Listed Block**) to be performed on the IP packets matching your filter rules.
2. In the four filter types, select whether to enable or disable each filter.
3. If a filter is enabled, enter the criteria in provided fields. Click **More** to add more criteria if required. See next section for more information.
4. Click **Apply** to commit your changes.

Filter Types

When setting up filter rules, you can define the Filter rules based on the LAN machine's MAC address, IP address or the protocol type of the data packet. Each filter type is described as below.

Note: Based on OSI reference model, MAC Filters demand higher priority than IP Filters while IP Filters higher than Port Filters.

MAC Filters: The MAC address of the LAN machine from which packets are allowed (or prohibited) to pass through the WAN port. Up to 12 entries are allowed.

IP Filters: The range of IP addresses of the LAN machines from which packets are allowed (or prohibited) to pass through the WAN port. You may enter the same address in both (Start and End) fields to define a single IP address. Up to 5 entries are allowed.

TCP Port Filters: Allows (or prohibits) certain LAN machine to use TCP based service in the specified port range through the WAN port. Up to 12 entries are allowed.

For example, to allow (or prohibit) local PC 192.168.1.210 to use FTP service (using TCP port 21):

IP Address	Start	End
192.168.1.210	20	21

UDP Port Filters: This field allows you to allow (or prohibit) certain LAN machine to use UDP based service in the specified port range through the WAN port. Up to 12 entries are allowed.

For example, to allow (or prohibit) local PC 192.168.1.210 to use ping service (using UDP port 53):

IP Address	Start	End
192.168.1.210	53	53

Filter Scenario of the Wireless Broadband Router

When setting up your firewall policy, note the filter scenario used by the router:

When Filter Type is **Listed Block**:

If all the filters are **disabled**: No filter rule is specified to block any packet. All packets can pass through the WAN port. (Defaults)

If any filter is **enabled**: only the packets matching the specified rule are blocked; other packets can pass through the WAN port.

When Filter Type is **Listed Pass**:

If all the filters are **disabled**: No filter rule is specified to allow any packet to pass. All packets are blocked.

If any filter is **enabled**: Only the packets matching the specified rule can pass; other packets are blocked.

The screenshot displays the 'Filter' configuration page in a web browser. At the top, there are navigation tabs: System, Firewall, WAN, LAN, Wireless LAN, Filter, Advanced, and Advanced Filter. The main content area is titled 'This page configures LAN Filter. The LAN machines blocked by the filter will not be able to communicate through the WAN port. The LAN machines blocked by the filter will not be able to communicate through the WAN port.' Below this, there are several sections for configuring filters:

- General:** Includes 'Firewall' (checked), 'WAN Management' (checked), 'WAN Port' (checked), 'WAN Port Filter Policy' (checked), 'Report Log to TFTP Server' (checked), 'LAN TFTP Server' (input field), and 'Filter Type' (radio buttons for 'Listed Pass' and 'Listed Block', with 'Listed Block' selected).
- WAN Filter:** Includes 'Filter Type' (radio buttons for 'Listed Pass' and 'Listed Block', with 'Listed Block' selected) and a 'Name' input field.
- WAN Port Filter:** Includes 'Filter Type' (radio buttons for 'Listed Pass' and 'Listed Block', with 'Listed Block' selected) and a 'Name' input field.
- WAN Port Filter:** Includes 'Filter Type' (radio buttons for 'Listed Pass' and 'Listed Block', with 'Listed Block' selected) and a 'Name' input field.
- WAN Port Filter:** Includes 'Filter Type' (radio buttons for 'Listed Pass' and 'Listed Block', with 'Listed Block' selected) and a 'Name' input field.

At the bottom of the page, there are 'Apply' and 'Cancel' buttons.

Figure 4-14 Filters

Viewing Filter Log

When filter feature is enabled, the router will keep a record of the packets discarded. To view the firewall activity log, go to **System Overview > Firewall > Activity Log** and click the **Show Log** button. Filter activity log is displayed in a separate window with a maximum of 32 entries. Clicking the **Update** button allows to refresh the log with newly reported data. The log types are defined as below:

Type	Description
1	Blocked packets, from WAN side, by DoS (Deny of Service) protection mechanism.
2	Blocked packets, from LAN side, by MAC/IP/TCP/UDP filter.

Other Firewall Settings

WAN Management: Available only when Firewall is enabled. If available, this item is disabled by default that rejects any external access from the WAN port. If this option is enabled, a **WAN Port** field is displayed with the default value 80. If required, you may enter another port number used by the external WAN access.

If WAN Management is enabled using a non-80 port, the router's HTTP service (Web Configuration Utility) will be accessible via the router's WAN port IP address following by a colon and the non-80 port:

`http://<WAN IP address>:<non-80 port>`

For example, if 1234 is entered, the router will be accessible at *http://203.1.2.3:1234* where 203.1.2.3 indicates the WAN port's IP address.

If WAN Management is enabled using standard port 80, no suffix is required.

If WAN Management is enabled using port 80, your publicly accessible Web server (if any) on LAN side should use a non-80

HTTP port. And you need to use the Forwarding feature to shift external HTTP requests to the non-80 port number used by the Web server on LAN side.

WAN Port Ping Reply: Available only when Firewall is enabled. If available, this setting determines if an external host will get reply when trying to ping the IP address of your WAN port. It's disabled by default.

Report Log to TFTP Server: Available only when Firewall is enabled. If available, it specifies whether to report firewall event log to your TFTP server. If enabled, a **LAN TFTP Server** field is present for you to specify the IP address of the TFTP server. All the filter logs are sent to TFTP server although only 32 entries are displayed in **Show Log** window (see **System Overview** page).

4.7 Forwarding

This page allows you to configure the Forwarding and DMZ (De-Militarized Zone) features. Unlike Filter which governs outgoing traffic, Forwarding is used to provide external access to your local machines. This is commonly used when you have publicly accessible virtual servers on your local network.

By default, forwarding entry is empty and any external access to your LAN is blocked. Once you define a forwarding entry, incoming packets (identified by its port number) that match your Forwarding criteria will be forwarded to the port range of the specified local machine. Otherwise packets are blocked. Forwarding serves as a measure of security that protect your network from hazardous packets.

However, if you designate a DMZ sever, incoming packets that do not match the forwarding criteria will be redirected to the DMZ IP address. That is, forwarding demands a higher priority than DMZ.

Setting Up Forwarding Entries

To set up your forwarding entries, enter these fields:

DMZ IP Address: DMZ setting allows a local machine to be exposed to the Internet. If you specify a DMZ host here, all virtual services requests not specified in the Forwarding table are forwarded to the DMZ host.

TCP Port Forwards: In the first **Start** and **End** fields, define the port range for the incoming TCP service you want to forward. In the **IP Address** field, enter the IP address of the virtual server to which packets are forwarded. The **Start/End** fields on right side defines the port range for the TCP service on the virtual server.

For example, you have a virtual server 192.168.1.210 running FTP service and you allow external access by the setting below:

Start	End	IP Address	Start	End
20	21	192.168.1.210	20	21

UDP Port Forwards: The configuration is the same as setting TCP Port Forwards, only that the entry applies to UDP service.

When the router gets outside TCP/UDP requests destined for the WAN port, it determines whether the services are allowed according to your forwarding settings. For example, if you do not specify FTP virtual service in Forwarding table, incoming FTP requests (identified by port number in packets) are blocked or otherwise sent to DMZ host (if specified). On the other hand, if an FTP forwarding entry has been set up, the FTP requests will be able to be forwarded to the specified machine.

If you have a Web server on your network...

If you enable WAN Management (i.e., allow external access from the WAN port, see “4.6 Filters”) and want to designate another Web server on your local network, take either of the procedures below to avoid port confliction:

Option 1: In Filters page, with **WAN Management** enabled, enter a port number other than 80 (for example, 1234) and reserve the number 80 for your Web server.

If any external host wants to access your Web management server through the WAN port, it should use the address below:

`http://204.71.200.143 (i.e., the WAN IP address):1234`

Option 2: Have **WAN Management** to use the standard port number 80 and your Web server (e.g., 192.168.1.4) to use another port number (e.g., 8080). In this case, you need to shift the incoming HTTP request (destined for local Web server) to port 8080 of your Web server, the forwarding entry may look like this:

Start	End	IP Address	Start	End
8080	8080	192.168.1.4	8080	8080

With the settings above, an external host trying to access your local Web server should use the address like this:

http://204.71.200.143 (i.e., the WAN IP address):8080

If you do not enter the suffix “:8080”, the external host’s packets will contain the standard port number 80 and the router will not forward the packets since no forwarding entry matches. As a result, if a WAN computer tries to access the LAN’s Web server, it will turn to access the Web service on the WAN port, i.e., the Web Configuration Utility of the router instead.



Figure 4-15 Forwarding

4.8 Administration

▮ System Clock Configuration

Network administrators may want to synchronize date and time among network devices. This can be done by synchronizing the local clock to an available NTP server or manually specifying the date and time in this router for your network.

Option 1: Using an existing NTP server.

1. In **Set by** item, enable the **Network Time Protocol** option.
2. In **NTP Server** field, enter the IP address of the NTP server.
3. In **Update Interval** item, select your update interval as **1, 2 or 7 days**.
4. In **Time Zone** field, select a time zone according your geographic location.

Option 2: Specifying the router as your network NTP server.

1. In **Set by** item, enable the **Manual Setup** option.
2. Manually enter the date and time information in respective fields.

▮ Management Setup

Username&Password: For administration security, specify required **User Name** and **Password** and re-enter password in corresponding field for confirmation. This setting limits your Web-based manager access to users with the correct credentials. By default, the user name is empty and the password is **admin**.

▮ Firmware Upgrade

This option allows you to upgrade the Wireless Broadband Router with new firmware. After upgrading, your customized configuration will still exist and not reset to the factory defaults. To upgrade, download required firmware file to your host PC and follow the steps below:

1. In the **Locate New Firmware** field, click **Browse** to locate the firmware file.
2. Click the **Upgrade** button to start upgrade and then wait for a few minutes as the utility prompts. You will return to the Administration page while the process is complete.

Note: Do not interrupt the upgrade process otherwise it might cause damage to your Wireless Broadband Router.

After upgrade, you can see the new firmware version in **Current Firmware version** field.

▾ **User Configurations**

Save Current Configurations: Allows you to save your customized settings to the device. Once your router is properly configured, you may wish to save current settings. The saved settings can be retrieved easily if required, even after you reload factory defaults.

Retrieve User Configurations: If you have loaded factory defaults (either via the Load Default button on the back panel or via the Restore button in this group), you can restore your settings by clicking the **Retrieve** button.

Restore Factory Defaults: To restore factory defaults, click the **Restore** button and then wait for a few minutes as the utility prompts. You will return to the Administration page while the process is complete. This feature is basically the same as resetting via the Load Default button (see “Rear Panel and Connectors”) on the device but it allows you to remotely perform the reset task.

▾ **System**

Reboot: This option allows to you remotely reboot the device.

System Overview	WAN	LAN	WAN/LAN S.E.T.	Filter	Forwarding	Administration
 This page is for system administration.						
System Check		Current Time: 10:56:01 AM 00:00:00 Refresh Set By: <input type="checkbox"/> Network Time Protocol <input checked="" type="checkbox"/> Manual Setup Date: <input type="checkbox"/> Tue Aug 20 2003 <input type="checkbox"/> Mon Aug 18 2003 <input type="checkbox"/> Sat Aug 23 2003 Time: <input type="checkbox"/> 00:00:00 <input type="checkbox"/> 01:00:00 <input type="checkbox"/> 02:00:00				
Management Setup		Username: <input type="text"/> Password: <input type="password"/> Re-enter Password: <input type="password"/> <input type="button" value="Apply"/> <input type="button" value="Cancel"/>				
Firmware Upgrade		Current Firmware Version: 1.01.01 Current Bootcode Version: 1.01.01 Load New Firmware: <input type="text"/> <input type="button" value="Browse"/> <input type="button" value="Upgrade"/>				
Reset Configuration		Save Current Configuration: <input type="button" value="Save"/> Restore Factory Defaults: <input type="text"/> <input type="button" value="Browse"/> <input type="button" value="Restore"/> Restore Factory Defaults: <input type="button" value="Restore"/>				
System		Reboot: <input type="button" value="Reboot"/>				

Figure 4-16 Administration

5 Specification

5.1 Hardware

- 125MHz MIPS CPU
- 16MB SDRAM
- 4MB Flash Memory
- 802.11g: Broadcom (BCM4306, BCM2050)
- Two external antennas for wireless technology

Interface

- One 10/100 Base-TX RJ-45 auto sensing and crossover Ethernet WAN port for Broadband connection (Cable/DSL or direct Ethernet)
- Four RJ-45 LAN ports for 10/100Base-TX auto sensing & crossover Ethernet Switch LAN connection
- 802.11g wireless LAN
- Two external antennas for wireless technology

Physical

- Front Panel: 8 LEDs (Power x 1, LAN x 4, WAN x 1, Wireless x 1, Connected x 1)
- Back Panel: Reset button, Power Jack, RJ-45 LAN Port x 4, RJ-45 WAN Port x 1
- Dimensions: 145 mm(L) x 240 mm(W) x 40 mm(H)
- Case types: Lay down

Power Adapter and Environmental Requirement

- DC Adaptor: Input AC100V – 240V , Output 5V DC, 2A
- Temperature: 0 to 40°C (operation), -20 to 70 °C (storage)
- Relative Humidity: 5% to 90% (non-condensing)

Electromagnetic Compliance

- FCC Part 15 Class B
- CE
- EMI/Immunity: VCCI class B
- PTT: JATE
- Wi-Fi for 802.11b

5.2 Software

WAN Port Features

- PPPoE (PPP over Ethernet) Client with Keep Alive/Connect On Demand Support
- PAP and CHAP Authentication
- DHCP Client
- MAC Address Cloning
- Settable and Changeable IP Address

LAN Port Features

- DHCP Server
- Settable and Changeable IP Address

Router Features

- NAT
- Firewall Support
- Bridge Mode Support
- 802.1D Spanning Tree Bridging
- IP Filtering, IP Forwarding
- DMZ Hosting
- DNS Forwarding
- UPNP Support
- Microsoft NetMeeting Passthrough Support
- Microsoft XP Messenger Passthrough Support

Security Features

- PAP and CHAP Authentication
- ASCII/HEX Format 64/128 Bit WEP Key for Wireless LAN
- Allow List for Wireless LAN
- Supports IP packets filtering based on IP address, port number, and protocol
- VPN Support (IPSec Passthrough, and PPTP Passthrough)

Wireless LAN Features

- Fully compatible to 802.11g standard
- Direct Sequence Spread Spectrum (DSSS) technology exploitation
- Seamless roaming within wireless LAN infrastructure
- Low power consumption via efficient power management

Configuration and Management Features

- Configurable through Web Browser via WAN/LAN
- Software Upgrade
- DHCP Server function for IP distribution to local network users
- NTP/Manual System Clock
- Configuration Saving/Retrieving
- Event Log