



Test Report No.: FM2403WDG0230



RF EXPOSURE TEST REPORT



Applicant	Belkin International, Inc.
Address	555 S. Aviation Blvd., Suite 180, El Segundo, CA 90245, USA

Manufacturer or Supplier	Belkin International, Inc.
Address	555 S. Aviation Blvd., Suite 180, El Segundo, CA 90245, USA
Product	BoostCharge Pro Magnetic Power Bank 10K
Brand Name	belkin
Model	BPD008
Additional Model & Model Difference	N/A
Date of tests	Mar. 25, 2024 ~ Mar. 28, 2024

The submitted sample of the above equipment has been tested according to the requirements of the following standard:

- 47 CFR PART 1, Subpart I, Section 1.1310
- KDB 680106 D01

CONCLUSION: The submitted sample was found to COMPLY with the test requirement

Tested by Eric Fang Project Engineer / EMC Department	Approved by Glyn He Assistant Manager/ EMC Department
	 Data: Apr. 02, 2024

This report is governed by, and incorporates by reference, the Conditions of Testing as posted at the date of issuance of this report at <http://www.bureauveritas.com/home/about-us/our-business/cps/about-us/terms-conditions/> and is intended for your exclusive use. Any copying or replication of this report to or for any other person or entity, or use of our name or trademark, is permitted only with our prior written permission. This report sets forth our findings solely with respect to the test samples identified herein. The results set forth in this report are not indicative or representative of the quality or characteristics of the lot from which a test sample was taken or any similar or identical product unless specifically and expressly noted. Our report includes all of the tests requested by you and the results thereof based upon the information that you provided to us. Measurement uncertainty is only provided upon request for accredited tests. Statements of conformity are based on simple acceptance criteria without taking measurement uncertainty into account, unless otherwise requested in writing. You have 60 days from date of issuance of this report to notify us of any material error or omission caused by our negligence or if you require measurement uncertainty; provided, however, that such notice shall be in writing and shall specifically address the issue you wish to raise. A failure to raise such issue within the prescribed time shall constitute your unqualified acceptance of the completeness of this report, the tests conducted and the correctness of the report contents.



TABLE OF CONTENTS

RF EXPOSURE TEST REPORT	1
RELEASE CONTROL RECORD.....	3
1. GENERAL INFORMATION.....	4
1.1. GENERAL DESCRIPTION OF EUT.....	4
2. RF EXPOSURE MEASUREMENT	5
2.1 LIMITS	5
2.2 DESCRIPTION OF SUPPORT UNITS.....	5
2.3 CONFIGURATION OF SYSTEM UNDER TEST.....	6
2.4 TEST SETUP FOR WPC.....	6
2.5 EQUIPMENTS USED DURING TEST.....	7
2.6 TEST POINT DESCRIPTION.....	7
2.7 TEST RESULTS	8
3. PHOTOGRAPHS OF THE TEST CONFIGURATION.....	16



Test Report No.: FM2403WDG0230

RELEASE CONTROL RECORD

ISSUE NO.	REASON FOR CHANGE	DATE ISSUED
FM2403WDG0230	Original release	Apr. 02, 2024



1. GENERAL INFORMATION

1.1. GENERAL DESCRIPTION OF EUT

FCC ID	K7SBPD008
PRODUCT	BoostCharge Pro Magnetic Power Bank 10K
MODEL NO.	BPD008
ADDITIONAL MODEL	N/A
POWER SUPPLY	5Vdc or 9 Vdc (adapter)
MODULATION TECHNOLOGY	FSK
OPERATING FREQUENCY RANGE	127.7kHz(for iPhone 15 Pro >80% Battery Charging) 360.0kHz(for iPhone 15 Pro <80% Battery Charging)
MAXIMUM POWER OUTPUT FOR Q2 CHARGING COIL	15W
ANTENNA TYPE	Coil Antenna
I/O PORTS	Refer to user's manual
CABLE SUPPLIED	USB-C to USB-C cable: Shielded, Detachable 1.0m

NOTES:

1. For a more detailed features description, please refer to the manufacturer's specifications or the user's manual.
2. For the test results, the EUT had been tested with all conditions, but only the worst case was shown in test report.
3. Please refer to the EUT photo document for detailed product photo.

2. RF EXPOSURE MEASUREMENT

2.1 LIMITS

§ 1.1310 The criteria listed in table 1 shall be used to evaluate the environmental impact of human exposure to radiofrequency(RF) radiation as specified in § 1.1307(b), except in the case of portable devices which shall be evaluated according to the provisions of § 2.1093 of this chapter.

TABLE 1—LIMITS FOR MAXIMUM PERMISSIBLE EXPOSURE (MPE)

Frequency range (MHz)	Electric field strength (V/m)	Magnetic field strength (A/m)	Power density (mW/cm ²)	Averaging time (minutes)
(A) Limits for Occupational/Controlled Exposures				
0.3–3.0	614	1.63	*(100)	6
3.0–30	1842/f	4.89/f	*(900/f ²)	6
30–300	61.4	0.163	1.0	6
300–1500	f/300	6
1500–100,000	5	6
(B) Limits for General Population/Uncontrolled Exposure				
0.3–1.34	614	1.63	*(100)	30
1.34–30	824/f	2.19/f	*(180/f ²)	30
30–300	27.5	0.073	0.2	30
300–1500	f/1500	30
1500–100,000	1.0	30

f = frequency in MHz

* = Plane-wave equivalent power density

NOTE 1 TO TABLE 1: Occupational/controlled limits apply in situations in which persons are exposed as a consequence of their employment provided those persons are fully aware of the potential for exposure and can exercise control over their exposure. Limits for occupational/controlled exposure also apply in situations when an individual is transient through a location where occupational/controlled limits apply provided he or she is made aware of the potential for exposure.

NOTE 2 TO TABLE 1: General population/uncontrolled exposures apply in situations in which the general public may be exposed, or in which persons that are exposed as a consequence of their employment may not be fully aware of the potential for exposure or can not exercise control over their exposure.

Reference KDB 680106 D01 Wireless Power Transfer v04

The aggregate H-field strengths at 15 cm surrounding the device and 20 cm above the top surface from all simultaneous transmitting coils are demonstrated to be less than 50% of the MPE limit.

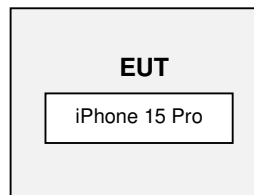
2.2 DESCRIPTION OF SUPPORT UNITS

The EUT has been tested with associated equipment below

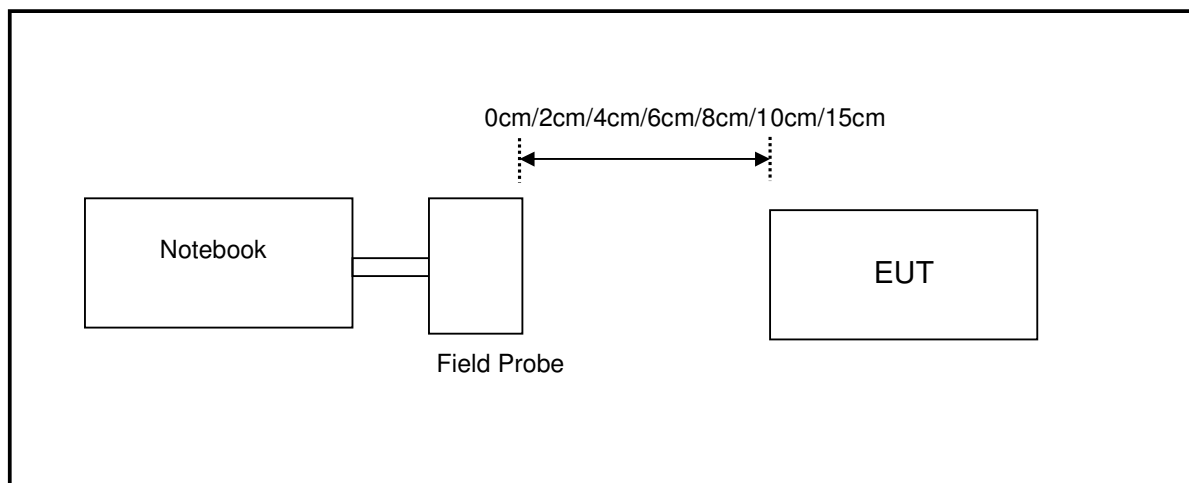
NO.	PRODUCT	BRAND	MODEL NO.	SERIAL NO.	FCC ID
1	iPhone 15 Pro	Apple	MTQ63CH/A	F43Q7N4Q4H	BCG-E8438A

2.3 CONFIGURATION OF SYSTEM UNDER TEST

Charging Mode with iPhone 15 Pro



2.4 TEST SETUP FOR WPT



Note: Measurements should be made from all sides and the top of the primary/client pair, with the 0cm, 2 cm, 4cm, 6cm, 8cm, 10cm, or 15 cm measured from the center of the probe(s) to the edge of the device.

The antenna of this product, under normal use condition, is at less than 20cm away from the body of the user. So, this device is classified as **Portable Device**.

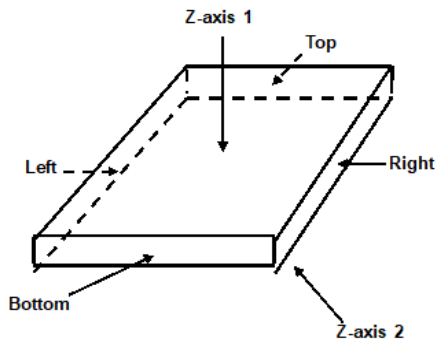


2.5 EQUIPMENTS USED DURING TEST

Equipment	Manufacturer	Model No.	Serial No.	Next Cal.
E-Field probe	Narda	NBM-520	2403/01B	Apr. 05, 24
Electric and Magnetic Field Probe-Analyzer	Narda	EHP-200A	180ZX10216	Feb. 19, 25
3m Fully Anechoic Chamber	Chance Most	8m*4m*4m	D3040011DG	May 27, 25
Test Software	Narda	EHP200-TS	V1.94	N/A

- NOTE:**
1. The test was performed in RS chamber.
 2. Equipment are calibrated by calibration laboratory accredited to ISO/IEC 17025 by a mutually recognized Accreditation.

2.6 TEST POINT DESCRIPTION



Notes:

1. Z-axis 1, It means the load surface.
2. Z-axis 2, It means the back of the load surface.

2.7 TEST RESULTS

Mode 1: Charging Mode with iPhone 15 Pro(10% Battery Charging) 360kHz (distance 0 cm)

E-Field Measurement						
EUT Side	Left	Right	Top	Bottom	Z-axis1	Z-axis2
Max E-Field(V/m)	0.7759	1.4108	1.0892	0.8346	1.8268	3.7893
Limit(V/m)	614	614	614	614	614	614
Margin (V/m)	-613.2241	-612.5892	-612.9108	-613.1654	-612.1732	-610.2107
50% Limit (V/m)	307	307	307	307	307	307
50% Margin (V/m)	-306.2241	-305.5892	-305.9108	-306.1654	-305.1732	-303.2107

H-Field Measurement						
EUT Side	Left	Right	Top	Bottom	Z-axis1	Z-axis2
Max H-Field(A/m)	0.1256	0.2568	0.0809	0.2566	0.1252	0.1620
Limit(A/m)	1.63	1.63	1.63	1.63	1.63	1.63
Margin (A/m)	-1.504	-1.373	-1.549	-1.373	-1.505	-1.468
50% Limit (A/m)	0.815	0.815	0.815	0.815	0.815	0.815
50% Margin (A/m)	-0.689	-0.558	-0.734	-0.558	-0.690	-0.653

Measurements was made from all sides and the top of the primary/client pair, with the 0 cm measured from the center of the probe(s) to the edge of the device. The highest emission level was recorded.

Mode 2: Charging Mode with iPhone 15 Pro(10% Battery Charging) 360kHz (distance 2 cm)

E-Field Measurement						
EUT Side	Left	Right	Top	Bottom	Z-axis1	Z-axis2
Max E-Field(V/m)	0.5807	0.8192	0.5857	0.8300	0.9335	4.0433
Limit(V/m)	614	614	614	614	614	614
Margin (V/m)	-613.4193	-613.1808	-613.4143	-613.17	-613.0665	-609.9567
50% Limit (V/m)	307	307	307	307	307	307
50% Margin (V/m)	-306.4193	-306.1808	-306.4143	-306.17	-306.0665	-302.9567

H-Field Measurement						
EUT Side	Left	Right	Top	Bottom	Z-axis1	Z-axis2
Max H-Field(A/m)	0.0542	0.1227	0.0332	0.0975	0.0355	0.0700
Limit(A/m)	1.63	1.63	1.63	1.63	1.63	1.63
Margin (A/m)	-1.576	-1.507	-1.597	-1.533	-1.595	-1.560
50% Limit (A/m)	0.815	0.815	0.815	0.815	0.815	0.815
50% Margin (A/m)	-0.761	-0.692	-0.782	-0.718	-0.780	-0.745

Measurements was made from all sides and the top of the primary/client pair, with the 2 cm measured from the center of the probe(s) to the edge of the device. The highest emission level was recorded.

Mode 3: Charging Mode with iPhone 15 Pro(10% Battery Charging) 360kHz (distance 4 cm)

E-Field Measurement						
EUT Side	Left	Right	Top	Bottom	Z-axis1	Z-axis2
Max E-Field(V/m)	0.4762	0.6670	0.4316	0.5417	0.8445	1.4694
Limit(V/m)	614	614	614	614	614	614
Margin (V/m)	-613.5238	-613.333	-613.5684	-613.4583	-613.1555	-612.5306
50% Limit (V/m)	307	307	307	307	307	307
50% Margin (V/m)	-306.5238	-306.333	-306.5684	-306.4583	-306.1555	-305.5306

H-Field Measurement						
EUT Side	Left	Right	Top	Bottom	Z-axis1	Z-axis2
Max H-Field(A/m)	0.0274	0.0528	0.0246	0.0210	0.0260	0.0907
Limit(A/m)	1.63	1.63	1.63	1.63	1.63	1.63
Margin (A/m)	-1.603	-1.577	-1.605	-1.609	-1.604	-1.539
50% Limit (A/m)	0.815	0.815	0.815	0.815	0.815	0.815
50% Margin (A/m)	-0.788	-0.762	-0.790	-0.794	-0.789	-0.724

Measurements was made from all sides and the top of the primary/client pair, with the 4 cm measured from the center of the probe(s) to the edge of the device. The highest emission level was recorded.

Mode 4: Charging Mode with iPhone 15 Pro(10% Battery Charging) 360kHz (distance 6 cm)

E-Field Measurement						
EUT Side	Left	Right	Top	Bottom	Z-axis1	Z-axis2
Max E-Field(V/m)	0.2956	0.3395	0.2505	0.3344	0.4469	0.5873
Limit(V/m)	614	614	614	614	614	614
Margin (V/m)	-613.7044	-613.6605	-613.7495	-613.6656	-613.5531	-613.4127
50% Limit (V/m)	307	307	307	307	307	307
50% Margin (V/m)	-306.7044	-306.6605	-306.7495	-306.6656	-306.5531	-306.4127

H-Field Measurement						
EUT Side	Left	Right	Top	Bottom	Z-axis1	Z-axis2
Max H-Field(A/m)	0.0236	0.0246	0.0205	0.0236	0.0217	0.0265
Limit(A/m)	1.63	1.63	1.63	1.63	1.63	1.63
Margin (A/m)	-1.606	-1.605	-1.610	-1.606	-1.608	-1.604
50% Limit (A/m)	0.815	0.815	0.815	0.815	0.815	0.815
50% Margin (A/m)	-0.791	-0.790	-0.795	-0.791	-0.793	-0.789

Measurements was made from all sides and the top of the primary/client pair, with the 6 cm measured from the center of the probe(s) to the edge of the device. The highest emission level was recorded.

Mode 5: Charging Mode with iPhone 15 Pro(10% Battery Charging) 360kHz (distance 8 cm)

E-Field Measurement						
EUT Side	Left	Right	Top	Bottom	Z-axis1	Z-axis2
Max E-Field(V/m)	0.2137	0.2965	0.2171	0.2605	0.3022	0.3821
Limit(V/m)	614	614	614	614	614	614
Margin (V/m)	-613.7863	-613.7035	-613.7829	-613.7395	-613.6978	-613.6179
50% Limit (V/m)	307	307	307	307	307	307
50% Margin (V/m)	-306.7863	-306.7035	-306.7829	-306.7395	-306.6978	-306.6179

H-Field Measurement						
EUT Side	Left	Right	Top	Bottom	Z-axis1	Z-axis2
Max H-Field(A/m)	0.0205	0.0295	0.0205	0.0182	0.0200	0.0180
Limit(A/m)	1.63	1.63	1.63	1.63	1.63	1.63
Margin (A/m)	-1.610	-1.601	-1.610	-1.612	-1.610	-1.612
50% Limit (A/m)	0.815	0.815	0.815	0.815	0.815	0.815
50% Margin (A/m)	-0.795	-0.786	-0.795	-0.797	-0.795	-0.797

Measurements was made from all sides and the top of the primary/client pair, with the 8 cm measured from the center of the probe(s) to the edge of the device. The highest emission level was recorded.

Mode 6: Charging Mode with iPhone 15 Pro(10% Battery Charging) 360kHz (distance 10 cm)

E-Field Measurement						
EUT Side	Left	Right	Top	Bottom	Z-axis1	Z-axis2
Max E-Field(V/m)	0.1945	0.2302	0.2553	0.3311	0.2323	0.2948
Limit(V/m)	614	614	614	614	614	614
Margin (V/m)	-613.8055	-613.7698	-613.7447	-613.6689	-613.7677	-613.7052
50% Limit (V/m)	307	307	307	307	307	307
50% Margin (V/m)	-306.8055	-306.7698	-306.7447	-306.6689	-306.7677	-306.7052

H-Field Measurement						
EUT Side	Left	Right	Top	Bottom	Z-axis1	Z-axis2
Max H-Field(A/m)	0.0182	0.0205	0.0217	0.0200	0.0182	0.0205
Limit(A/m)	1.63	1.63	1.63	1.63	1.63	1.63
Margin (A/m)	-1.612	-1.610	-1.608	-1.610	-1.612	-1.610
50% Limit (A/m)	0.815	0.815	0.815	0.815	0.815	0.815
50% Margin (A/m)	-0.797	-0.795	-0.793	-0.795	-0.797	-0.795

Measurements was made from all sides and the top of the primary/client pair, with the 10 cm measured from the center of the probe(s) to the edge of the device. The highest emission level was recorded.

Mode 7: Charging Mode with iPhone 15 Pro(10% Battery Charging) 360kHz (distance 15 cm)

E-Field Measurement						
EUT Side	Left	Right	Top	Bottom	Z-axis1	Z-axis2
Max E-Field(V/m)	0.2675	0.1738	0.1408	0.1639	0.1406	0.1515
Limit(V/m)	614	614	614	614	614	614
Margin (V/m)	-613.7325	-613.8262	-613.8592	-613.8361	-613.8594	-613.8485
50% Limit (V/m)	307	307	307	307	307	307
50% Margin (V/m)	-306.7325	-306.8262	-306.8592	-306.8361	-306.8594	-306.8485

H-Field Measurement						
EUT Side	Left	Right	Top	Bottom	Z-axis1	Z-axis2
Max H-Field(A/m)	0.0420	0.0236	0.0321	0.0240	0.0200	0.0230
Limit(A/m)	1.63	1.63	1.63	1.63	1.63	1.63
Margin (A/m)	-1.588	-1.606	-1.598	-1.606	-1.610	-1.607
50% Limit (A/m)	0.815	0.815	0.815	0.815	0.815	0.815
50% Margin (A/m)	-0.773	-0.791	-0.783	-0.791	-0.795	-0.792

Measurements was made from all sides and the top of the primary/client pair, with the 15 cm measured from the center of the probe(s) to the edge of the device. The highest emission level was recorded.

Mode 8: Charging Mode with iPhone 15 Pro(90% Battery Charging) 127.7kHz (distance 0 cm)

E-Field Measurement						
EUT Side	Left	Right	Top	Bottom	Z-axis1	Z-axis2
Max E-Field(V/m)	0.6542	1.4712	1.2626	0.7594	2.7652	4.6199
Limit(V/m)	614	614	614	614	614	614
Margin (V/m)	-613.3458	-612.5288	-612.7374	-613.2406	-611.2348	-609.3801
50% Limit (V/m)	307	307	307	307	307	307
50% Margin (V/m)	-306.3458	-305.5288	-305.7374	-306.2406	-304.2348	-302.3801

H-Field Measurement						
EUT Side	Left	Right	Top	Bottom	Z-axis1	Z-axis2
Max H-Field(A/m)	0.1183	0.2163	0.0398	0.0642	0.0385	0.1993
Limit(A/m)	1.63	1.63	1.63	1.63	1.63	1.63
Margin (A/m)	-1.512	-1.414	-1.590	-1.566	-1.592	-1.431
50% Limit (A/m)	0.815	0.815	0.815	0.815	0.815	0.815
50% Margin (A/m)	-0.697	-0.599	-0.775	-0.751	-0.777	-0.616

Measurements was made from all sides and the top of the primary/client pair, with the 0 cm measured from the center of the probe(s) to the edge of the device. The highest emission level was recorded.

Mode 9: Charging Mode with iPhone 15 Pro(90% Battery Charging) 127.7kHz (distance 2 cm)

E-Field Measurement						
EUT Side	Left	Right	Top	Bottom	Z-axis1	Z-axis2
Max E-Field(V/m)	0.5262	0.7859	0.6187	0.6203	1.3158	2.3726
Limit(V/m)	614	614	614	614	614	614
Margin (V/m)	-613.4738	-613.2141	-613.3813	-613.3797	-612.6842	-611.6274
50% Limit (V/m)	307	307	307	307	307	307
50% Margin (V/m)	-306.4738	-306.2141	-306.3813	-306.3797	-305.6842	-304.6274

H-Field Measurement						
EUT Side	Left	Right	Top	Bottom	Z-axis1	Z-axis2
Max H-Field(A/m)	0.0591	0.0907	0.0332	0.0642	0.0362	0.0839
Limit(A/m)	1.63	1.63	1.63	1.63	1.63	1.63
Margin (A/m)	-1.571	-1.539	-1.597	-1.566	-1.594	-1.546
50% Limit (A/m)	0.815	0.815	0.815	0.815	0.815	0.815
50% Margin (A/m)	-0.756	-0.724	-0.782	-0.751	-0.779	-0.731

Measurements was made from all sides and the top of the primary/client pair, with the 2 cm measured from the center of the probe(s) to the edge of the device. The highest emission level was recorded.

Mode 10: Charging Mode with iPhone 15 Pro(90% Battery Charging) 127.7kHz (distance 4 cm)

E-Field Measurement						
EUT Side	Left	Right	Top	Bottom	Z-axis1	Z-axis2
Max E-Field(V/m)	0.4316	0.5397	0.4020	0.5070	0.6474	1.6540
Limit(V/m)	614	614	614	614	614	614
Margin (V/m)	-613.5684	-613.4603	-613.598	-613.493	-613.3526	-612.346
50% Limit (V/m)	307	307	307	307	307	307
50% Margin (V/m)	-306.5684	-306.4603	-306.598	-306.493	-306.3526	-305.346

H-Field Measurement						
EUT Side	Left	Right	Top	Bottom	Z-axis1	Z-axis2
Max H-Field(A/m)	0.0303	0.0378	0.0265	0.0359	0.0295	0.0406
Limit(A/m)	1.63	1.63	1.63	1.63	1.63	1.63
Margin (A/m)	-1.600	-1.592	-1.604	-1.594	-1.601	-1.589
50% Limit (A/m)	0.815	0.815	0.815	0.815	0.815	0.815
50% Margin (A/m)	-0.785	-0.777	-0.789	-0.779	-0.786	-0.774

Measurements was made from all sides and the top of the primary/client pair, with the 4 cm measured from the center of the probe(s) to the edge of the device. The highest emission level was recorded.

Mode 11: Charging Mode with iPhone 15 Pro(90% Battery Charging) 127.7kHz (distance 6 cm)

E-Field Measurement						
EUT Side	Left	Right	Top	Bottom	Z-axis1	Z-axis2
Max E-Field(V/m)	0.4011	0.2890	0.4066	0.6001	0.4344	0.9387
Limit(V/m)	614	614	614	614	614	614
Margin (V/m)	-613.5989	-613.711	-613.5934	-613.3999	-613.5656	-613.0613
50% Limit (V/m)	307	307	307	307	307	307
50% Margin (V/m)	-306.5989	-306.711	-306.5934	-306.3999	-306.5656	-306.0613

H-Field Measurement						
EUT Side	Left	Right	Top	Bottom	Z-axis1	Z-axis2
Max H-Field(A/m)	0.0180	0.0205	0.0182	0.0221	0.0193	0.0283
Limit(A/m)	1.63	1.63	1.63	1.63	1.63	1.63
Margin (A/m)	-1.612	-1.610	-1.612	-1.608	-1.611	-1.602
50% Limit (A/m)	0.815	0.815	0.815	0.815	0.815	0.815
50% Margin (A/m)	-0.797	-0.795	-0.797	-0.793	-0.796	-0.787

Measurements was made from all sides and the top of the primary/client pair, with the 6 cm measured from the center of the probe(s) to the edge of the device. The highest emission level was recorded.

Mode 12: Charging Mode with iPhone 15 Pro(90% Battery Charging) 127.7kHz (distance 8 cm)

E-Field Measurement						
EUT Side	Left	Right	Top	Bottom	Z-axis1	Z-axis2
Max E-Field(V/m)	0.3707	0.1406	0.3144	0.4344	0.3977	0.1406
Limit(V/m)	614	614	614	614	614	614
Margin (V/m)	-613.6293	-613.8594	-613.6856	-613.5656	-613.6023	-613.8594
50% Limit (V/m)	307	307	307	307	307	307
50% Margin (V/m)	-306.6293	-306.8594	-306.6856	-306.5656	-306.6023	-306.8594

H-Field Measurement						
EUT Side	Left	Right	Top	Bottom	Z-axis1	Z-axis2
Max H-Field(A/m)	0.0217	0.0221	0.0200	0.0200	0.0200	0.0205
Limit(A/m)	1.63	1.63	1.63	1.63	1.63	1.63
Margin (A/m)	-1.608	-1.608	-1.610	-1.610	-1.610	-1.610
50% Limit (A/m)	0.815	0.815	0.815	0.815	0.815	0.815
50% Margin (A/m)	-0.793	-0.793	-0.795	-0.795	-0.795	-0.795

Measurements was made from all sides and the top of the primary/client pair, with the 8 cm measured from the center of the probe(s) to the edge of the device. The highest emission level was recorded.

Mode 13: Charging Mode with iPhone 15 Pro(90% Battery Charging) 127.7kHz (distance 10 cm)

E-Field Measurement						
EUT Side	Left	Right	Top	Bottom	Z-axis1	Z-axis2
Max E-Field(V/m)	0.2226	0.2985	0.2296	0.2431	0.3240	0.4175
Limit(V/m)	614	614	614	614	614	614
Margin (V/m)	-613.7774	-613.7015	-613.7704	-613.7569	-613.676	-613.5825
50% Limit (V/m)	307	307	307	307	307	307
50% Margin (V/m)	-306.7774	-306.7015	-306.7704	-306.7569	-306.676	-306.5825

H-Field Measurement						
EUT Side	Left	Right	Top	Bottom	Z-axis1	Z-axis2
Max H-Field(A/m)	0.0221	0.0236	0.0200	0.0182	0.0200	0.0217
Limit(A/m)	1.63	1.63	1.63	1.63	1.63	1.63
Margin (A/m)	-1.608	-1.606	-1.610	-1.612	-1.610	-1.608
50% Limit (A/m)	0.815	0.815	0.815	0.815	0.815	0.815
50% Margin (A/m)	-0.793	-0.791	-0.795	-0.797	-0.795	-0.793

Measurements was made from all sides and the top of the primary/client pair, with the 10 cm measured from the center of the probe(s) to the edge of the device. The highest emission level was recorded.

Mode 14: Charging Mode with iPhone 15 Pro(90% Battery Charging) 127.7kHz (distance 15 cm)

E-Field Measurement						
EUT Side	Left	Right	Top	Bottom	Z-axis1	Z-axis2
Max E-Field(V/m)	0.1476	0.2302	0.1406	0.2013	0.2296	0.2615
Limit(V/m)	614	614	614	614	614	614
Margin (V/m)	-613.8524	-613.7698	-613.8594	-613.7987	-613.7704	-613.7385
50% Limit (V/m)	307	307	307	307	307	307
50% Margin (V/m)	-306.8524	-306.7698	-306.8594	-306.7987	-306.7704	-306.7385

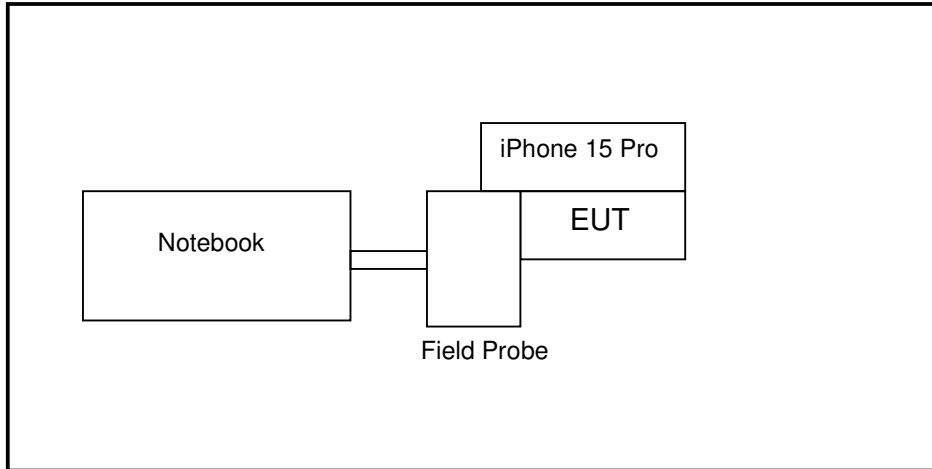
H-Field Measurement						
EUT Side	Left	Right	Top	Bottom	Z-axis1	Z-axis2
Max H-Field(A/m)	0.0205	0.0221	0.0205	0.0217	0.0205	0.0168
Limit(A/m)	1.63	1.63	1.63	1.63	1.63	1.63
Margin (A/m)	-1.610	-1.608	-1.610	-1.608	-1.610	-1.613
50% Limit (A/m)	0.815	0.815	0.815	0.815	0.815	0.815
50% Margin (A/m)	-0.795	-0.793	-0.795	-0.793	-0.795	-0.798

Measurements was made from all sides and the top of the primary/client pair, with the 15 cm measured from the center of the probe(s) to the edge of the device. The highest emission level was recorded.

VALIDATION TEST

Due to the characteristics of the product, the following verification was done,
Verification results: PASS

TEST SETUP



Mode : Charging Mode with iPhone 15 Pro(10% Battery Charging) 360kHz (distance 0 cm)

E-Field Measurement				
EUT Side	Left	Right	Top	Bottom
Max E-Field(V/m)	3.9041	3.5281	14.627	3.0455
Limit(V/m)	614	614	614	614
Margin (V/m)	-610.096	-610.472	-599.373	-610.955
50% Limit (V/m)	307	307	307	307
50% Margin (V/m)	-303.096	-303.472	-292.373	-303.955

H-Field Measurement				
EUT Side	Left	Right	Top	Bottom
Max H-Field(A/m)	0.0322	0.0221	0.0856	0.0182
Limit(A/m)	1.63	1.63	1.63	1.63
Margin (A/m)	-1.5978	-1.6079	-1.5444	-1.6118
50% Limit (A/m)	0.815	0.815	0.815	0.815
50% Margin (A/m)	-0.7828	-0.7929	-0.7294	-0.7968

Measurements was made from 4 sides, with the 0 cm measured from the center of the probe(s) to the edge of the device. The highest emission level was recorded.



3. PHOTOGRAPHS OF THE TEST CONFIGURATION

Please refer to the attached file (FCC MPE Test Photos, Reference No.: 2403WDG0230)

--- END ---