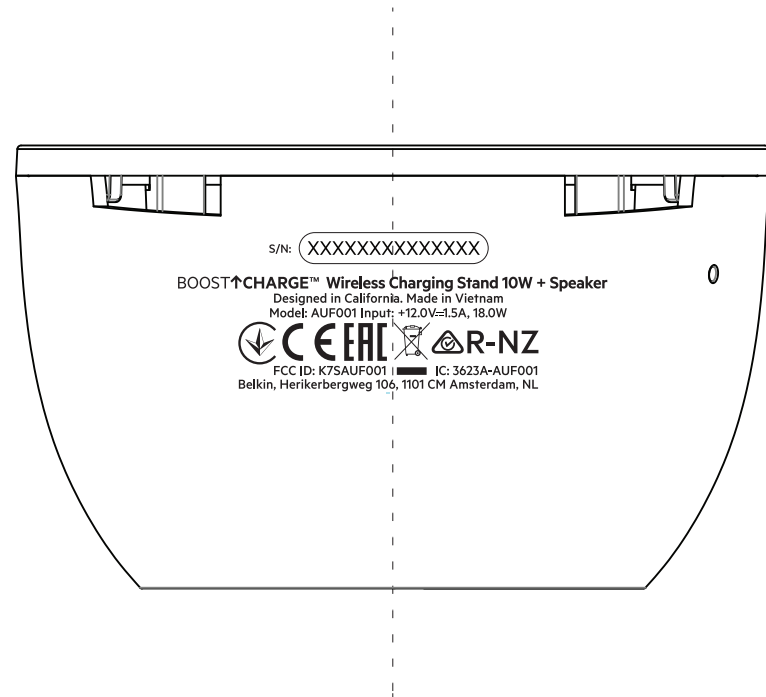
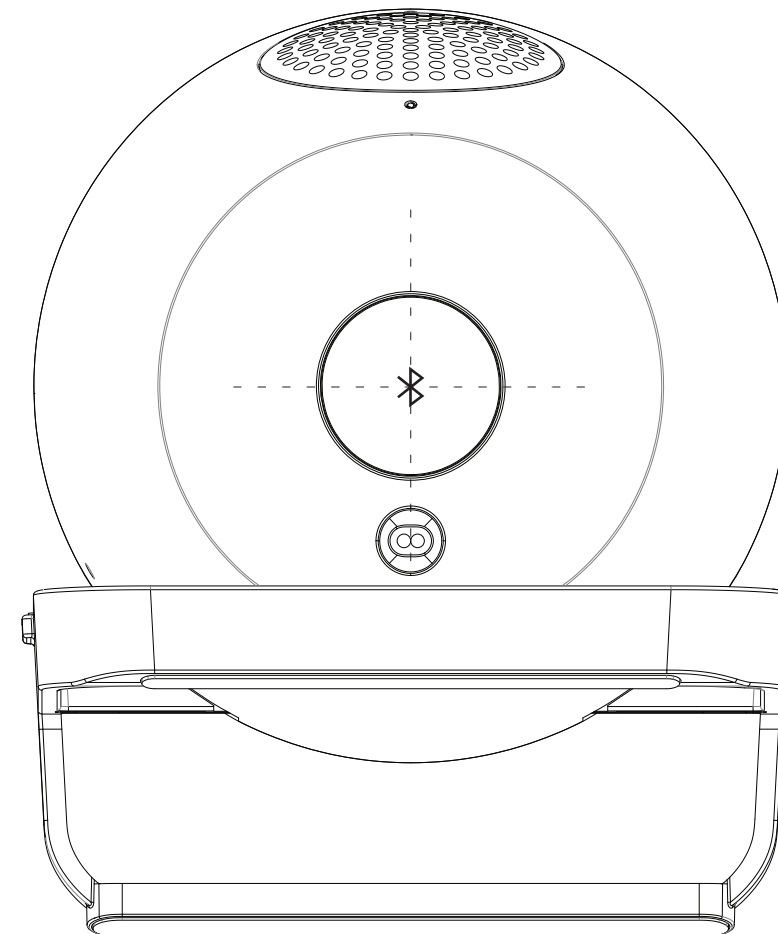


Certification Graphics  
 (Bottom View)



Bluetooth Icon on Button:



Serial No: **PPP**V**MM**myxxxx

FONT: METRIC MEDIUM  
 HEIGHT: 1.8 MM

**PPP**: PRODUCT CODE - REVIEW BELOW RULING  
**VV**: PRODUCT VERSION CODE - REVIEW BELOW RULING  
**MM**: MANUFACTURER CODE  
**m**: MONTH (1-9, A-C for JAN-SEP, OCT-DEC, 1 DIGIT)  
**y**: YEAR (2010 TO 2019 = 0 - 9, 2020 AND BEYOND = A - Z, EXCLUDING THE USAGE OF "I", "O" AND "Q")  
**xxxxx**: MONTHLY UNIT COUNT (00001 TO 99999, THEN A0000 TO Z9999, EXCLUDING THE USAGE OF "I", "O" AND "Q")