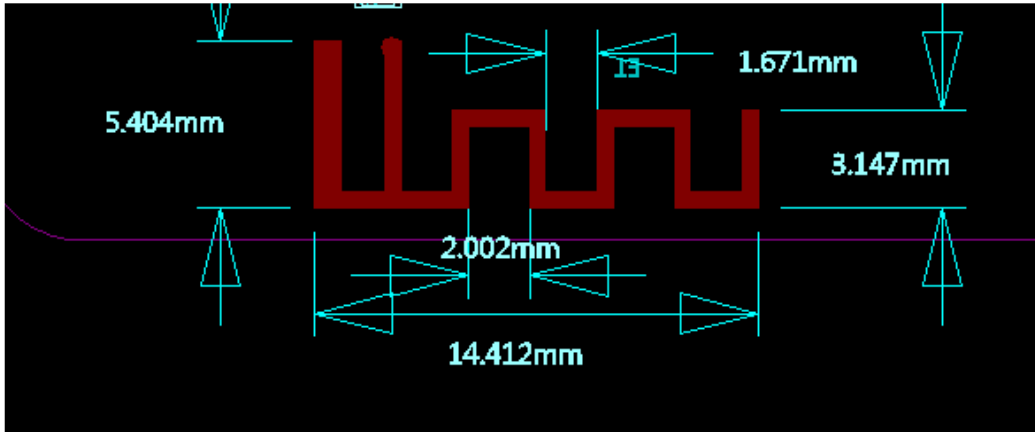


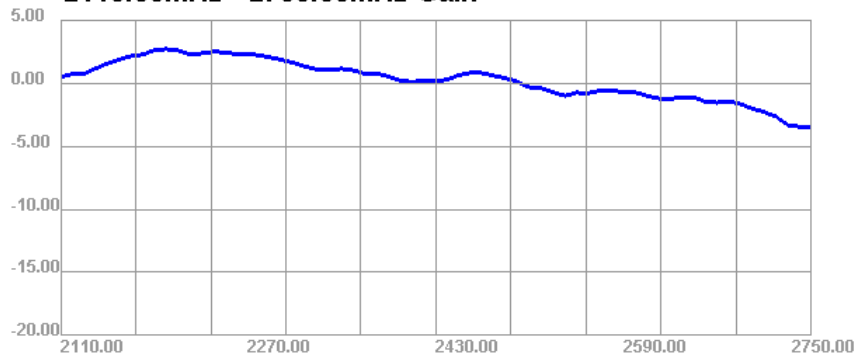
Antenna Spec.

Antenna type: PCB antenna

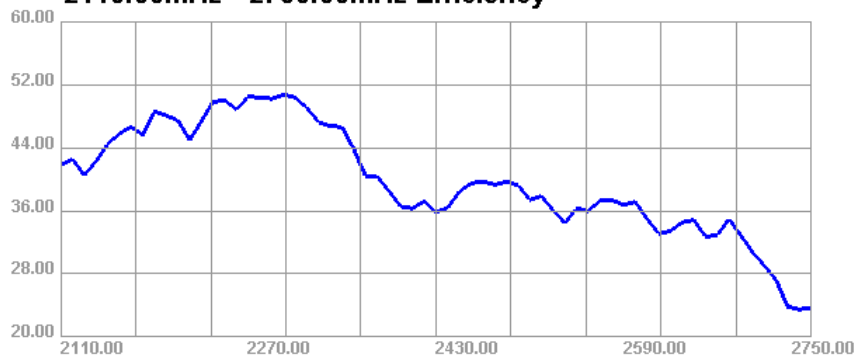


| Passive Test For D4 | | | Application Information | |
|---------------------|----------|------------|-------------------------|-------------|
| Freq (MHz) | Effi (%) | Gain (dBi) | O4Version | 4.95.303 |
| 2400 | 36.56 | 0.19 | TotalTime | 1m 19s 71ms |
| 2410 | 36.34 | 0.11 | AdditionalInfor | NULL |
| 2420 | 37.22 | 0.21 | | |
| 2430 | 35.87 | 0.14 | | |
| 2440 | 36.39 | 0.31 | | |
| 2450 | 38.45 | 0.66 | | |
| 2460 | 39.51 | 0.84 | | |
| 2470 | 39.75 | 0.8 | | |
| 2480 | 39.32 | 0.59 | | |

2110.00MHz - 2750.00MHz Gain



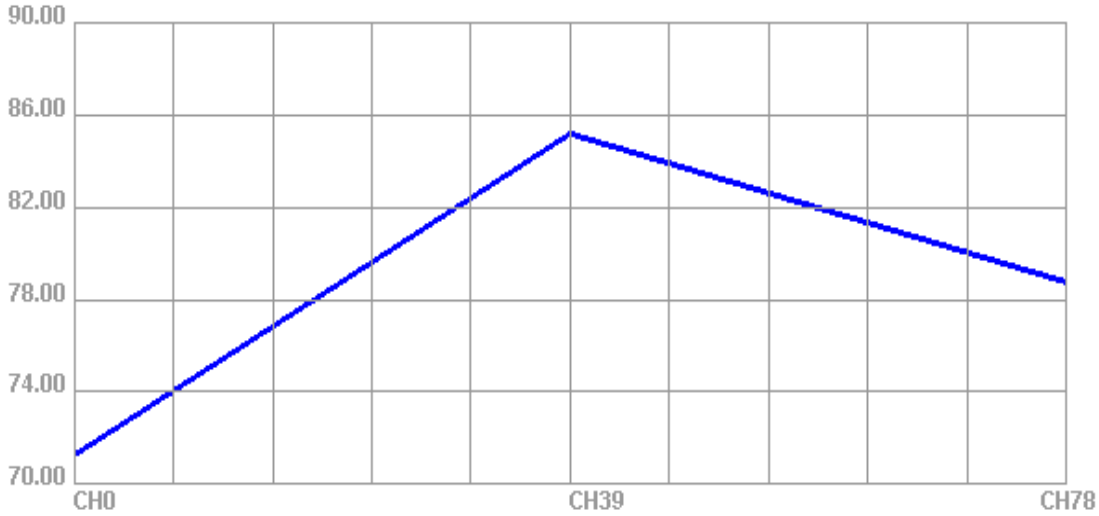
2110.00MHz - 2750.00MHz Efficiency



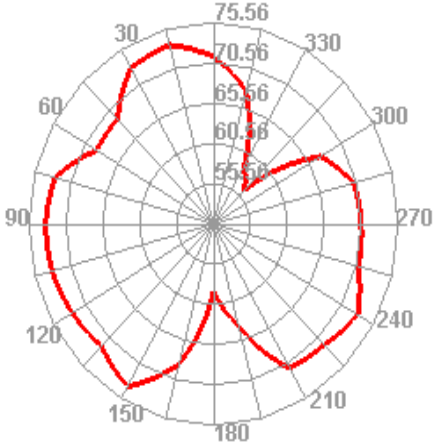
| Test Result | Bluetooth TIS | | |
|-----------------|---------------|--------|--------|
| | 0 | 39 | 78 |
| Frequency (MHz) | 2402 | 2441 | 2480 |
| Sens Ave(dBm) | -71.26 | -85.19 | -78.76 |

| Application Information | |
|-------------------------|--------------|
| O4Version | 5.214.323 |
| TotalTime | 4m 52s 535ms |
| AdditionalInfor | NULL |

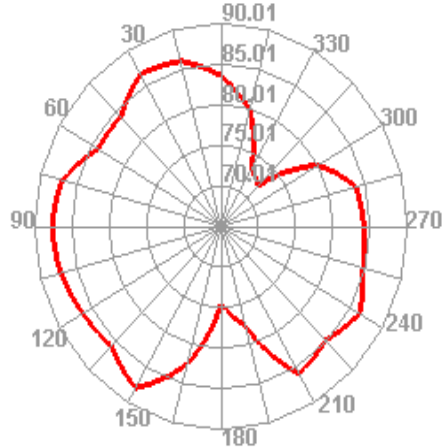
Bluetooth TIS



Bluetooth 0 TIS Phi=45



Bluetooth 39 TIS Phi=45



Bluetooth 78 TIS Phi=45

