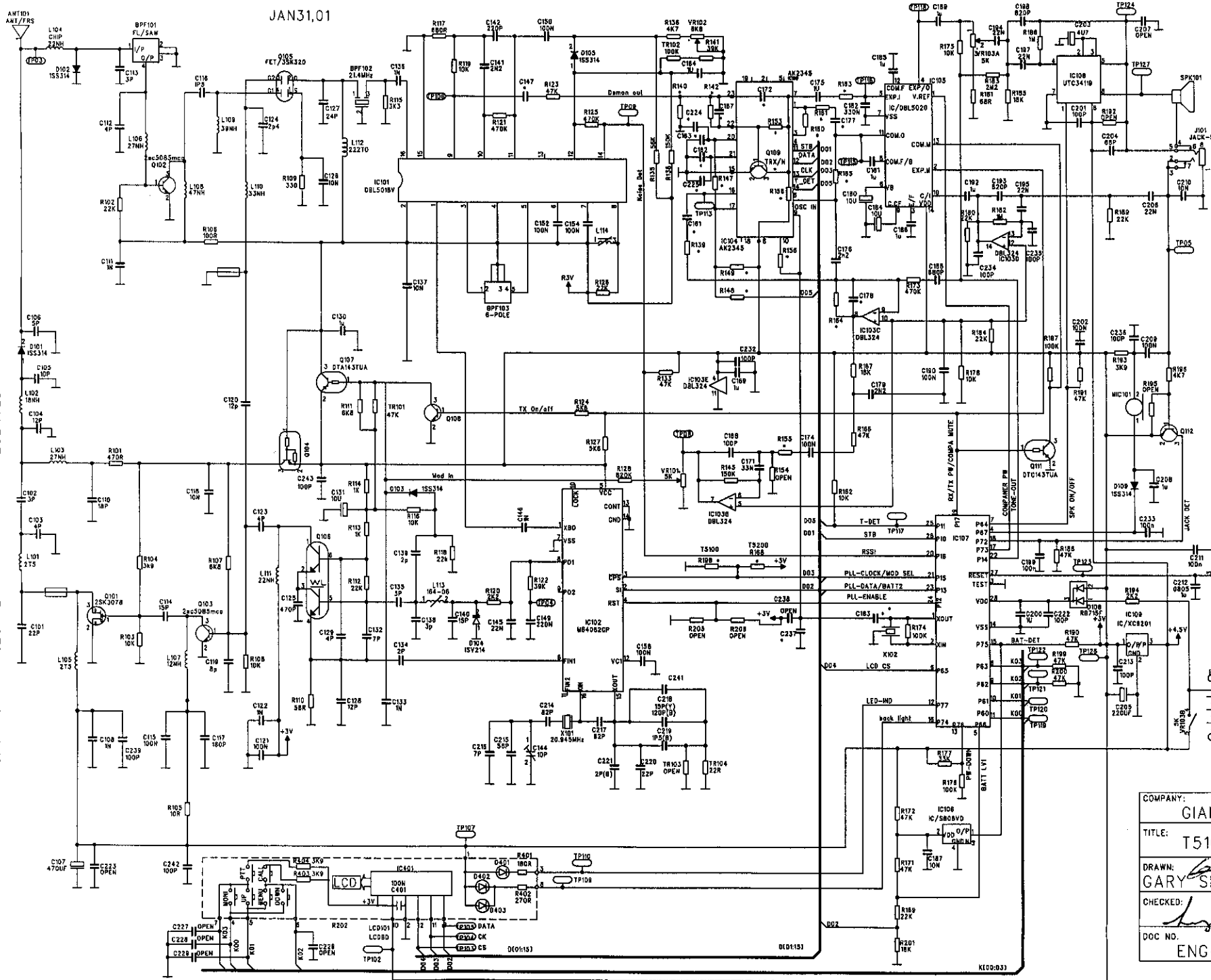


THE CONTENT OF THIS DOCUMENT IS GIANT INTELLECTUAL PROPERTY AND IS THE PROPERTY OF GIANT.IT IS TO BE TREATED AS STRICTLY CONFIDENTIAL AND IS NOT TO BE DISCLOSED, REPRODUCED OR USED EXCEPT AS AUTHORIZED IN WRITING BY GIANT ELECTRONICS LTD. IN CONNECTION WITH THE MANUFACTURE, MAINTENANCE AND USE OF THE GIANT WHICH IT PERTAINS. COPYRIGHT ©GIANT ELECT LTD ALL RIGHTS RESERVED

JAN31,01



Ref(1)	T5200	T5100
C147	10N	100N
C161	10N	OPEN
C162	1U	OPEN
C163	1U	OPEN
C167	150P	33N
C172	OPEN	2N2
C177	100N	OPEN
C183	100N	OPEN
X102	4.20M	4.19M
Q109	OPEN	L5
R123	47K	33K
R139	560K	OPEN
R140	OPEN	33K
R142	330K	OPEN
R147	3K9	OPEN
R148	39K	OPEN
R149	12K	OPEN
R153	OPEN	270K
R156	1M	OPEN
R158	OPEN	1K8
R160	100K	OPEN
R161	100K	OPEN
R163	3K3	390R
R165	OPEN	0R
R168	47K	OPEN
R198	OPEN	47K
R155	75K	100K
R164	270K	330K
C178	100P	68P
C224	100P	OPEN
C225	100P	OPEN
R168	47K	OPEN
R198	OPEN	47K
IC105	AKM2345	OPEN
C225	5P	OPEN

COMPANY: GIANT ELECT LTD
 TITLE: T5100/5200
 DRAWN: GARY SHAM DATED: Feb 01/01
 CHECKED: [Signature] APPROVED: [Signature]
 DOC NO: ENG-T5100-02-01

K100-037