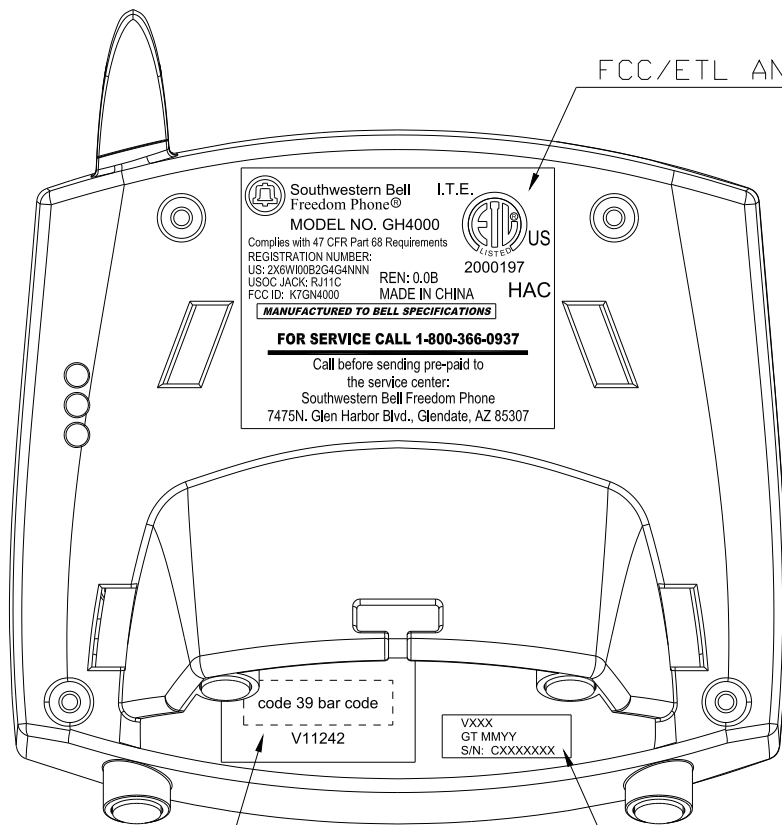
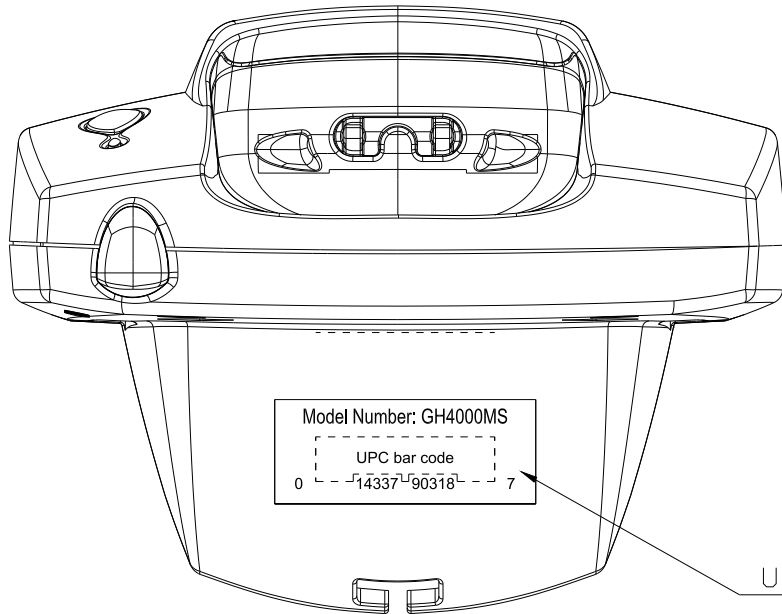


GIANT ELECTRONICS LTD.

MODEL: N4000XXXUSSVPT

TITLE: LABEL POSITION ON BASE METHOD

REV.	PRE.BY	DATE	CHK.BY	DATE	APP.BY	DATE
A	JH SHI	Jun.17,02	WH ZHANG	Jun.17,02	LY KWONG	Jun.17,02



CODE 39 LABEL
(same as G2430)

VERSION/DATE CODE/SERIAL
NUMBER LABEL

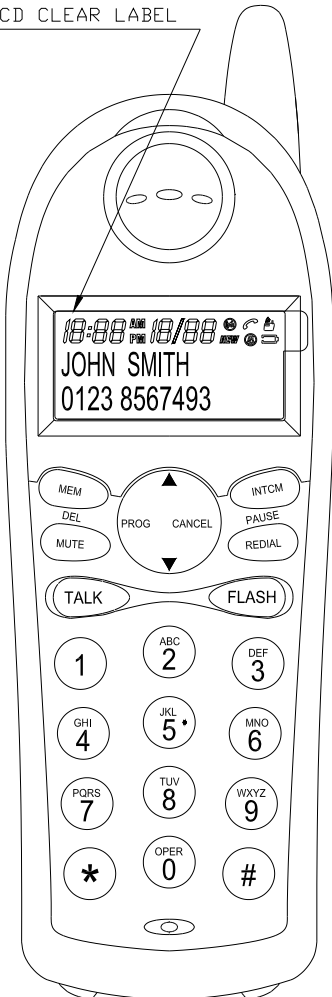
GIANT ELECTRONICS LTD.

MODEL: N4000XXXUSSVPT

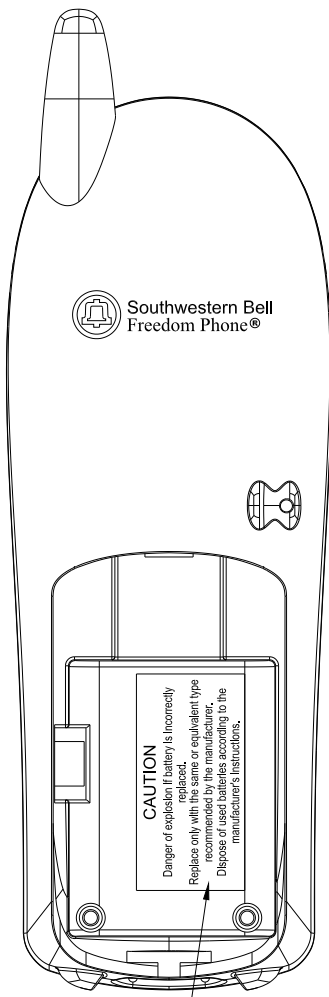
TITLE: LABEL POSITION ON HANDSET METHOD

REV.	PRE.BY	DATE	CHK.BY	DATE	APP.BY	DATE
A	JH SHI	Jun.17,02	WH ZHANG	Jun.17,02	LY KWONG	Jun.17,02

H/S LCD CLEAR LABEL

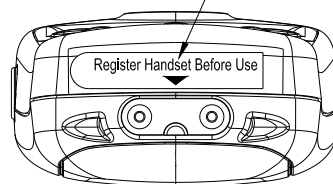


H/S REGISTRATION LABEL



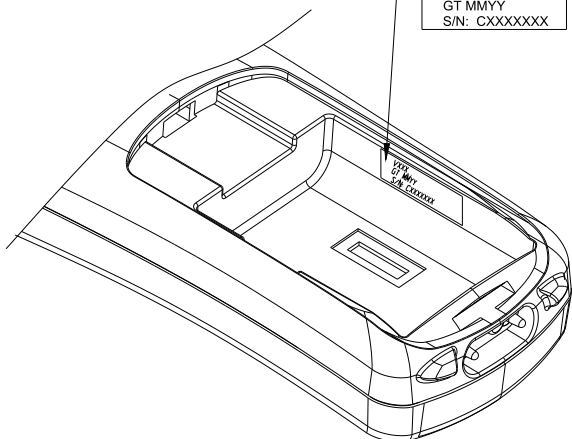
CAUTION LABEL

REGISTER LABEL (COVERED SILK-SCREEN)



VERSION/DATE CODE/SERIAL NUMBER LABEL

VXXX
GT MMY
S/N: CXXXXXX



H/S FCC LABEL (silkscreen)

