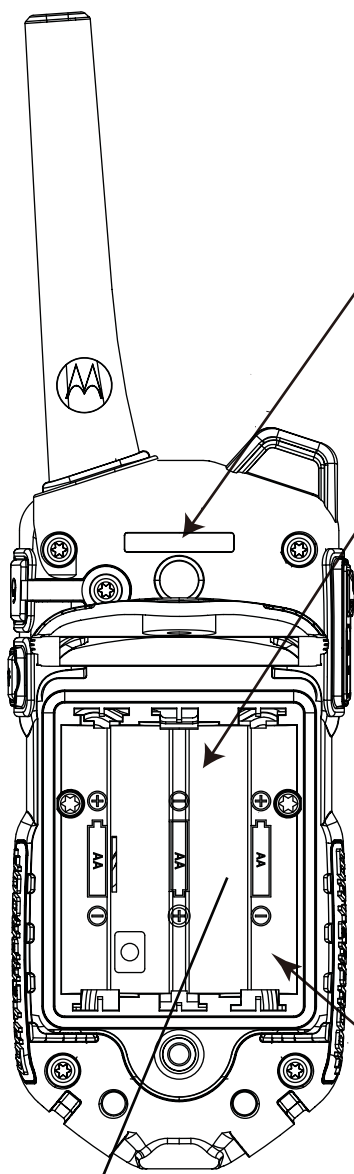


GIANT MODEL: MS350XXXCAYEE4
 CUSTOMER MODEL: MS560CR
 TITLE: FCC & MODEL NUMBER LABEL

GIANT ELECTRICS LIMITED			
DOCUMENT NO.		ENG-MS560CR-09	
REV #	A	PAGE	P3



FCC ID: K7GMSFGJ

FCC ID LABEL
 SIZE: W19.7H3.3MM

Model: MS560CR IC: 2415B-MSFGJ MOTOROLA
 SN: WYMXXXXX 4.5VDC DD/MM/YYYY
 Tnp: MS350BAXCAYEXX MADE IN CHINA

MODEL NUMBER & IC LABEL
 SIZE: W45H7.5MM

Serial number format:

SN: WYMXXXXX

W=GIANT(Vendor Code)

Y=Year Code
 A=2000, B=2001, C=2003,.....H=2007
 J=2008, K=2009, L=2010, M=2011
 N=2012, P=2013, Q=2014, R=2015
 S=2016, T=2-017, U=2018, V=2019
 W=2020, X=2021, Y=2022, Z=2023,etc.

M=Month Code
 A or B=Jan, C or D=Feb
 E or F=Mar, G or H=Apr
 J or K=May, L or M=Jun
 N or P=Jul, Q or R=Aug
 S or T=Sep, U or V=Oct
 W or X=Nov, Y or Z=Dec

Serial Number of unit format
 S/N is printed base same customer number one by one.
 Start from first 00001, first unit is 00000, the second is 00001, the eleven is 0000B etc.

- 00000.....1
- 00001.....2
- 00002.....3
-
-
- 00009.....10
- 0000B.....11
-
-
- 0000Z.....31
- 00010.....32

DUAL RESONATOR WITH BARCODE

SUPPORT CUSHION

REMOVE LABEL



KEM-PK10615

WEEE LABEL

Please remove
 Favor Retirer
 S'il vous plait retirez

NOTE:

1. STICK THE MODEL NUMBER & IC LABEL AND WEEE LABEL AND AN EAS TAG LABEL INTO THE BATTERY BOX.
2. STICK THE FCC ID LABEL ONTO RADIO BACK SIDE.
3. PUT THE DUAL RESONATOR INTO THE BATTERY DOOR,(ONE PER PACKAGE,NOT PER RADIO)