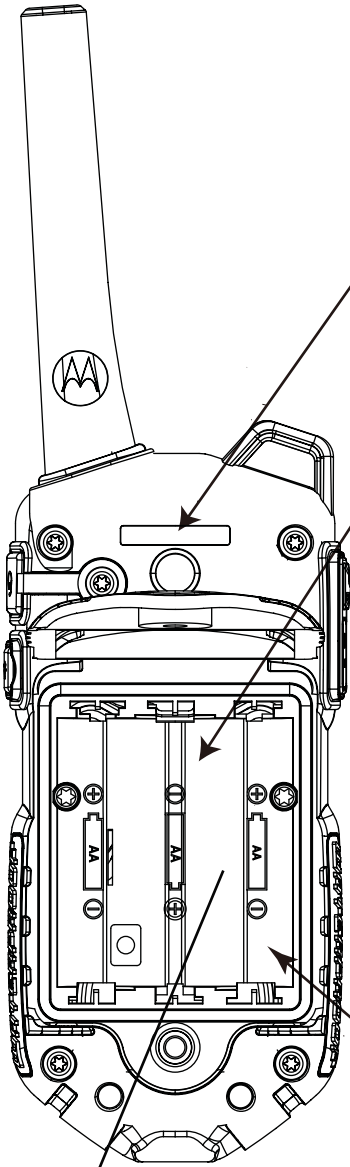


GIANT MODEL: MS350XXXUSYE04
 CUSTOMER MODEL: MS350R
 TITLE: FCC & MODEL NUMBER LABEL

GIANT ELECTRICS LIMITED			
DOCUMENT NO.		ENG-MS350R-09	
REV #	A	PAGE	P3



FCC ID: K7GMSCEJ

FCC ID LABEL
 SIZE: W19.7H3.3MM

Mdl: MS350R	4.5VDC	MOTOROLA
SN: WYMXXXXX		DD/MMM/YYYY
Tnp: MS350BAXUSYEXX		MADE IN CHINA

MODEL NUMBER & IC LABEL
 SIZE: W45H7.5MM

Serial number format:
 SN: WYMXXXXX

W=GIANT(Vendor Code)
 Y=Year Code
 A=2000, B=2001, C=2003,.....H=2007
 J=2008, K=2009, L=2010, M=2011
 N=2012, P=2013, Q=2014, R=2015
 S=2016, T=2-017, U=2018, V=2019
 W=2020, X=2021, Y=2022, Z=2023,etc.
 M=Month Code
 A or B=Jan, C or D=Feb
 E or F=Mar, G or H=Apr
 J or K=May, L or M=Jun
 N or P=Jul, Q or R=Aug
 S or T=Sep, U or V=Oct
 W or X=Nov, Y or Z=Dec

Serial Number of unit format
 S/N is printed base same customer number one by one.
 Start from first 00001, first unit is 00000, the second is 00001, the eleven is 0000B etc.
 00000.....1
 00001.....2
 00002.....3

 00009.....10
 0000B.....11

 0000Z.....31
 00010.....32

DUAL RESONATOR WITH BARCODE

KEM-PK10615
WEEE LABEL

SUPPORT CUSHION

REMOVE LABEL

NOTE:

1. STICK THE MODEL NUMBER & IC LABEL AND WEEE LABEL AND AN EAS TAG LABEL INTO THE BATTERY BOX.
2. STICK THE FCC ID LABEL ONTO RADIO BACK SIDE.
3. PUT THE DUAL RESONATOR INTO THE BATTERY DOOR,(ONE PER PACKAGE,NOT PER RADIO)