



Giant Electronics Ltd.

Application
For
Certification

Two Way Radio with GMRS, FRS, and Weather Band Receiver

(FCC ID: K7GMJBGJ)

Superseded report no. HK08110561-1 dated December 19, 2008

HK08110561-1(R1)
TL/ ac
December 24, 2008

- The test report only allows to be revised the retention period issued date unless further standard or the requirement was noticed.
- This report is for the exclusive use of Intertek's Client and is provided pursuant to the agreement between Intertek and its Client. Intertek's responsibility and liability are limited to the terms and conditions of the agreement. Intertek assumes no liability to any party, other than to the Client in accordance with the agreement, for any loss, expense or damage occasioned by the use of this report. Only the Client is authorized to permit copying or distribution of this report and then only in its entirety. Any use of the Intertek name or one of its marks for the sale or advertisement of the tested material, product or service must first be approved in writing by Intertek. The observations and test results in this report are relevant only to the sample tested. This report by itself does not imply that the material, product, or service is or has ever been under an Intertek certification program.

Intertek Testing Services Hong Kong Ltd.

2/F., Garment Centre, 576 Castle Peak Road, Kowloon, Hong Kong.
Tel: (852) 2173 8888 Fax: (852) 2785 5487 Website: www.hk.intertek-etlsemko.com

INTERTEK TESTING SERVICES

SUMMARY OF CONTENTS

LIST OF EXHIBITS

<i>EXHIBIT 1:</i>	General Description
<i>EXHIBIT 2:</i>	System Test Configuration
<i>EXHIBIT 3:</i>	RF Power Output
<i>EXHIBIT 4:</i>	Modulation Characteristics
<i>EXHIBIT 5:</i>	Occupied Bandwidth
<i>EXHIBIT 6:</i>	Spurious Emission
<i>EXHIBIT 7:</i>	Frequency Stability
<i>EXHIBIT 8:</i>	Technical Specifications
<i>EXHIBIT 9:</i>	Product Labelling
<i>EXHIBIT 10:</i>	Photographs
<i>EXHIBIT 11:</i>	Instruction Manual
<i>EXHIBIT 12:</i>	Tune Up Procedure
<i>EXHIBIT 13:</i>	Part List
<i>EXHIBIT 14:</i>	Letter of Agency
<i>EXHIBIT 15:</i>	Confidentiality Request

INTERTEK TESTING SERVICES

MEASUREMENT/TECHNICAL REPORT

Applicant : Giant Electronics Ltd.
Trade Name/Model No : Motorola/ MJ270
Date : December 24, 2008

This report concerns (check one:) Original Grant Class II Change

Equipment Type: FRF – Part 95 Family Radio Face Held Transmitter
CXX - Communications Rcvr for use w/ licensed Tx and CBs

Deferred grant requested per 47 CFR 0.457(d)(1)(ii)? Yes No
If yes, defer until:
date

Company Name agrees to notify the Commission by:
date

of the intended date of announcement of the product so that the grant can be issued on that date.

Report prepared by: Leung Wai Leung, Tommy
Intertek Testing Services Hong Kong Ltd.
2/F., Garment Centre,
576 Castle Peak Road,
Kowloon, Hong Kong.
Phone: 852-2173-8538
Fax: 852-2741-1693

INTERTEK TESTING SERVICES

Table of Contents

1.0 General Description	6
1.1 Product Description	6
1.2 Related Submittal(s) Grants.....	7
1.3 Test Methodology	7
1.4 Test Facility	7
2.0 System Test Configuration	9
2.1 Justification.....	9
2.2 EUT Exercising Software.....	10
2.3 Special Accessories	10
2.4 Measurement Uncertainty.....	10
2.5 Equipment Modification	10
2.6 Supporting Equipment	11
3.0 RF Power Output (Section 2.1046(a), 95.639(d))	13
4.0 Modulation Characteristics (Section 2.1047(a)(b), 95.637(a))	17
4.1 Modulation Frequency Response.....	18
4.2 Modulation Limiting Characteristics.....	20
4.3 Audio Low Pass Filter Response	22
5.0 Occupied Bandwidth (Section 95.633(c))	25
6.0 Spurious Emission	28
6.1 Field Strength of Spurious Radiation(Section 2.1053, 95.635(b)).....	29
6.2 Field Strength of Radiated Emission and AC line Conducted Emission (Section 15.109 & 15.107).....	35
7.0 Frequency Stability (Section 2.1055(a)(b)(d), 95.627(b))	44
7.1 Frequency Tolerance.....	45
7.2 Temperature Extreme Condition	47
7.3 Voltage Extreme Condition.....	50
8.0 Technical Specifications	53
9.0 Product Labelling	56
10.0 Equipment Photographs	58
11.0 Instruction Manual	60
12.0 Tune Up Procedure	62
13.0 Part List	64
14.0 Letter of Agency	66
15.0 Confidentiality Request	68

INTERTEK TESTING SERVICES

List of attached file

Exhibit type	File Description	Filename
Test Report	Test Report	report.pdf
Operational Description	Technical Description	descri.pdf
Test Report	Bandwidth Plot	bw.pdf
Test Report	Modulation Frequency Response	mfr.pdf
Test Report	Modulation Limit Characteristic	mlc.pdf
Test Report	Spurious Emission	spurious.pdf
Test Report	Conducted Emission Test Result	conduct.pdf
Block Diagram	Block Diagram	block.pdf
Schematics	Circuit Diagram	circuit.pdf
ID Label/Location Info	Label Artwork and Location	label.pdf
Users Manual	User Manual	manual.pdf
Test Setup Photos	Radiated & AC Line Conducted Emission Test Setup	config photos.pdf
Internal Photos	Internal Photo	internal photos.pdf
External Photos	External Photo	external photos.pdf
Part List/Tune Up Info	Tune Up Procedure	tuneup.pdf
Part List/Tune Up Info	Part List	partlist.pdf
Test Report	Audio Low Pass Filter Response	lpf.pdf
RF Exposure Info	SAR Test Report	SAR report 1 of 2.pdf SAR report 2 of 2.pdf
Cover Letter	Letter of Agency	letter of agency.pdf
Cover Letter	Confidentiality Request	request.pdf

EXHIBIT 1
GENERAL DESCRIPTION

INTERTEK TESTING SERVICES

1.0 General Description

1.1 Product Description

The Equipment Under Test (EUT) is a Two Way Radio with GMRS, FRS, and Weather Band Receiver. GMRS and FRS radio operates between 462.5500MHz and 467.7125MHz. Weather band receiver operates between 161.650 MHz and 162.550 MHz. The EUT is powered by 3.6V (1 x 3.6V "Ni-MH" type rechargeable battery) or 4.5V (3 x "AA" size 1.5V alkaline batteries). Power adaptor, USB port from computer and charging cradle can be alternative power sources.

Transmitter Portion

- (i) Type of Emission : GMRS: 5K68F3E; FRS: 5K68F3E
- (ii) Frequency Range : GMRS 15 Channels from 462.5500MHz to 462.7250MHz
FRS 7 Channels from 467.5625MHz to 467.7125MHz
- (iii) Maximum Power Rating : GMRS: 1.92W ERP; FRS: 0.35W ERP
- (iv) Antenna Type : Integral

The brief circuit description is saved with filename: descri.pdf

INTERTEK TESTING SERVICES

1.2 Related Submittal(s) Grants

This are two Applications for Certification of the transmitter portion of a GMRS + FRS Transceiver and weather band receiver respectively. The receiver section of this Transceiver is subject to verification process.

1.3 Test Methodology

Radiated emission measurements were performed according to the procedures in ANSI C63.4 (2003) and ANSI/TIA-603-C-2004. All measurement were performed in Open Area Test Sites. Preliminary scans were performed in the Open Area Test Sites only to determine worst case modes. All Radiated tests were performed at an antenna the EUT distance of 3 meters, unless stated otherwise in the “**Justification Section**” of this Application.

1.4 Test Facility

The open area test site used to collect the emission data is located at Garment Centre, 576 Castle Peak Road, Kowloon, Hong Kong. The test facility and site measurement data have been fully placed on file with the FCC.

INTERTEK TESTING SERVICES

EXHIBIT 2

SYSTEM TEST CONFIGURATION

INTERTEK TESTING SERVICES

2.0 **System Test Configuration**

2.1 Justification

The device was configured for testing in a typical fashion (as a customer would normally use it). The device was placed on a turntable, which enabled the engineer to maximize emissions through its placement in the three orthogonal axes. The device has been tested with headset and without headset when the radiated emissions are measured.

The frequency range from 30MHz to 10th harmonics was searched for spurious emissions from the device. Only those emissions reported were detected. All other emissions were at least 20 dB below the applicable limits.

The device supported several power-up methods (powered by rechargeable battery pack, alkaline batteries, charging cradle, adaptor and DC source from computer's USB port). All power-up methods were tested and the worst-case data was reported.

INTERTEK TESTING SERVICES

2.2 EUT Exercising Software

There was no special software to exercise the device. Once the PTT button was pushed, a signal was transmitted.

2.3 Special Accessories

No special accessory is needed for compliance of this device.

2.4 Measurement Uncertainty

When determining of the test conclusion, the Measurement Uncertainty of test has been considered.

Uncertainty and Compliance - Unless the standard specifically states that measured values are to be extended by the measurement uncertainty in determining compliance, all compliance determinations are based on the actual measured value.

2.5 Equipment Modification

Any modification installed previous to testing by Giant Electronics Ltd. will be incorporated in each production model sold/leased in the United States.

No modification were installed by Intertek Testing Services Hong Kong Ltd.

INTERTEK TESTING SERVICES

2.6 Support Equipment

1. A headset with 1.2 m unshielded cable. (Supplied by Intertek)
2. 1 x USB cable with 1 meter long (Supplied by Client)
3. An ac adaptor for charging tray: 120VAC, 60 Hz, 4W to 9VAC, 200mA, Model no: DV-0920ACS (Supplied by Client)
4. An ac adaptor with USB jack: 100-240VAC, 50/60Hz, 0.2A to 5.0VDC, 200mA, Model No: SSA-5W-05 US 050020F (Supplied by Client)
5. Notebook, Brand: Lenovo, Model: T61, S/N: L3-CF468 (Supplied by Intertek)
6. External 1394 HDD, Brand: Smart-drive, Model: HD3-SU2FW, S/N: 0800261 (HDD: Seagate 120GB, Model: ST912017AS, S/N: 5RE031DT) (Supplied by Intertek)
7. HP Notebook, Model: NX6320, S/N: CNU6370FWN, DoC Product (Supplied by Intertek)
8. HP Printer, Model: C6431D, S/N: CN23B 680ZP, DoC Product (Supplied by Intertek)
9. Genius Modem, Model: GM56EX, S/N: ZT5505000355, DoC Product (Supplied by Intertek)

Confirmed by:

*Leung Wai Leung, Tommy
Senior Manager
Intertek Testing Services Hong Kong Ltd.
Agent for Giant Electronics Ltd.*



Signature

December 24, 2008 _____
Date

EXHIBIT 3

RF POWER OUTPUT

INTERTEK TESTING SERVICES

3.0 **RF Power Output (Section 2.1046(a), 95.639(d))**

A. Equipment Used

Equipment	Brand Name	Model No.
Log Periodic Antenna	EMCO	3148
Test receiver	Rohde & Schwarz	ESVS30
Tuned Dipole Antenna	CDI	A100
Signal Generator	IFR	2023B

B. Testing Procedure

1. On a test site, the EUT shall be placed at 1.5m height on a wooden turntable, and in the position closest to normal use as declared by the applicant.
2. The test antenna shall be oriented initially for vertical polarisation located 3m from EUT to correspond to the frequency of the transmitter.
3. The output of the test antenna shall be connected to the measuring receiver and the peak detector is used for the measurement.
4. The transmitter shall be switched on, if possible, without modulation and the measuring receiver shall be tuned to the frequency of the transmitter under test.
5. The test antenna shall be raised and lowered through the specified range of height until a maximum signal level is detected by the measuring receiver.

INTERTEK TESTING SERVICES

6. The transmitter shall then be rotated through 360° in the horizontal plane, until the maximum signal level is detected by the measuring receiver.
7. The test antenna shall be raised and lowered again through the specified range of height until a maximum signal level is detected by the measuring receiver.
8. The maximum signal level detected by the measuring receiver shall be noted.
9. The transmitter shall be replaced by a tuned dipole (substitution antenna).
10. The substitution antenna shall be orientated for vertical polarisation and the length of the substitution antenna shall be adjusted to correspond to the frequency of the transmitter.
11. The substitution antenna shall be connected to a calibrated signal generator.
12. If necessary, the input attenuator setting of the measuring receiver shall be adjusted in order to increase the sensitivity of the measuring receiver.
13. The test antenna shall be raised and lowered through the specified range of height to ensure that the maximum signal is received.
14. The input signal to the substitution antenna shall be adjusted to the level that produces a level detected by the measuring receiver, that is equal to the level noted while the transmitter radiated power was measured, corrected for the change of input attenuator setting of the measuring receiver.
15. The input level to the substitution antenna shall be recorded as power level in dBm, corrected for any change of input attenuator setting of the measuring receiver.
16. The measurement shall be repeated with the test antenna and the substitution antenna orientated for horizontal polarisation.
17. The measure of the effective radiated power is the larger of the two levels recorded, at the input to the substitution antenna, corrected for gain of the substitution antenna if necessary.

INTERTEK TESTING SERVICES

Table 1

**Giant Electronics Ltd.
MJ270**

Transmission Power

Channel	Frequency (MHz)	Effective Radiated Power		FCC 95.639 Limit (W)	Margin (W)	RSS-210 Limit (W)	Margin (W)
		(dBm)	(W)				
1	462.5625	32.8	1.92	5.0	-3.08	2.0	-0.08
2	462.5875	32.8	1.92	5.0	-3.08	2.0	-0.08
3	462.6125	32.8	1.92	5.0	-3.08	2.0	-0.08
4	462.6375	32.8	1.92	5.0	-3.08	2.0	-0.08
5	462.6625	32.8	1.92	5.0	-3.08	2.0	-0.08
6	462.6875	32.8	1.92	5.0	-3.08	2.0	-0.08
7	462.7125	32.8	1.92	5.0	-3.08	2.0	-0.08
8	467.5625	25.4	0.35	0.5	-0.15	0.5	-0.15
9	467.5875	25.4	0.35	0.5	-0.15	0.5	-0.15
10	467.6125	25.4	0.35	0.5	-0.15	0.5	-0.15
11	467.6375	25.4	0.35	0.5	-0.15	0.5	-0.15
12	467.6625	25.4	0.35	0.5	-0.15	0.5	-0.15
13	467.6875	25.4	0.35	0.5	-0.15	0.5	-0.15
14	467.7125	25.4	0.35	0.5	-0.15	0.5	-0.15
15	462.5500	32.8	1.92	5.0	-3.08	2.0	-0.08
16	462.5750	32.8	1.92	5.0	-3.08	2.0	-0.08
17	462.6000	32.8	1.92	5.0	-3.08	2.0	-0.08
18	462.6250	32.8	1.92	5.0	-3.08	2.0	-0.08
19	462.6500	32.8	1.92	5.0	-3.08	2.0	-0.08
20	462.6750	32.8	1.92	5.0	-3.08	2.0	-0.08
21	462.7000	32.8	1.92	5.0	-3.08	2.0	-0.08
22	462.7250	32.8	1.92	5.0	-3.08	2.0	-0.08

Notes: Negative sign in the margin column shows the value below limits.

Verdict: Passed

Test Engineer: Ken Sit

Date of Test: November 25-December 24, 2008

INTERTEK TESTING SERVICES

EXHIBIT 4

MODULATION CHARACTERISTICS

INTERTEK TESTING SERVICES

4.0 Modulation Characteristics (Section 2.1047(a)(b), 95.637(a))

In order to satisfy the 95.637(a) and 2.1047(b) requirements, Modulation Frequency Response and Modulation Limiting Characteristics are attached in Exhibit 4.1 & 4.2.

In order to satisfy the 2.1047(a) requirement, Audio Low Pass Filter Response is attached in Exhibit 4.3.

For electronic filing, the modulation frequency response curve and modulation limiting characteristic curve are saved with filename: mfr.pdf and mlc.pdf respectively.

For electronic filing, the audio low pass frequency response curve is saved with filename: lpf.pdf.

INTERTEK TESTING SERVICES

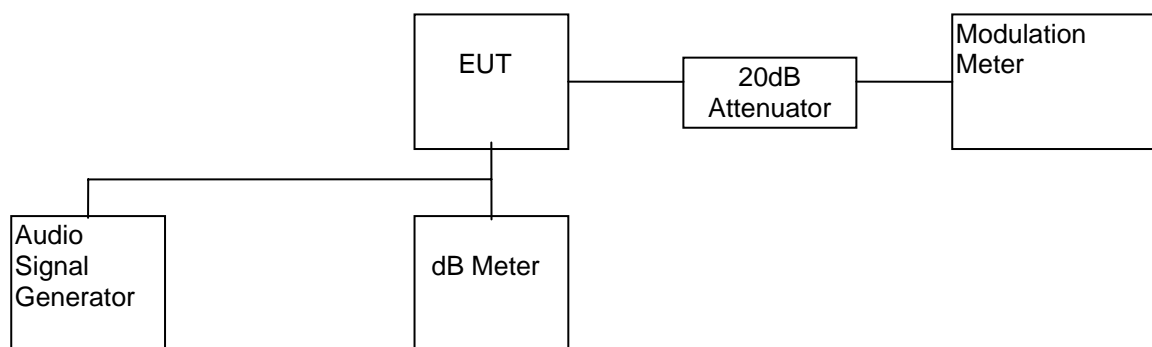
4.1 Modulation Frequency Response (Section 2.1047(a), 95.637(a))

A. Test Equipment

Equipment	Brand Name	Model No.
Audio Signal Generator	HP	HP8904A
AC Millivoltmeter	Leader	LMV-182A
20 dB RF Attenuator	Bird	8304-200-N
Radiocommunication Service Monitor	R&S	CMS54

B. Testing Procedure

- 1) Set-up the test equipment in the following configuration:



- 2) Set the audio signal generator frequency to the sound pressure level 107dB SPL at the microphone of the EUT.
- 3) The frequency of the audio signal generator is changed from 100Hz to 5kHz.
- 4) Record the frequency deviation.
- 5) The peak frequency deviation must not exceed:

GMRS + FRS : ± 2.5 kHz

INTERTEK TESTING SERVICES

C. Test Result

Table 2

**Giant Electronics Ltd.
MJ270**

Modulation Frequency Response

Test Channel : 4
Input level = 107dBSPL

Modulation Frequency (Hz)	Modulation index
100	5.30
200	3.20
300	3.99
400	5.41
500	4.16
600	3.42
700	2.82
800	2.41
900	2.20
1000	2.07
1250	1.76
1500	1.47
1750	1.27
2000	1.14
2250	1.02
2500	0.90
2750	0.75
3000	0.61
3125	0.54
3250	0.47
3500	0.36
4000	0.22
5000	0.09

Verdict: Passed

Test Engineer: Ken Sit

Date of Test: November 25-December 24, 2008

INTERTEK TESTING SERVICES

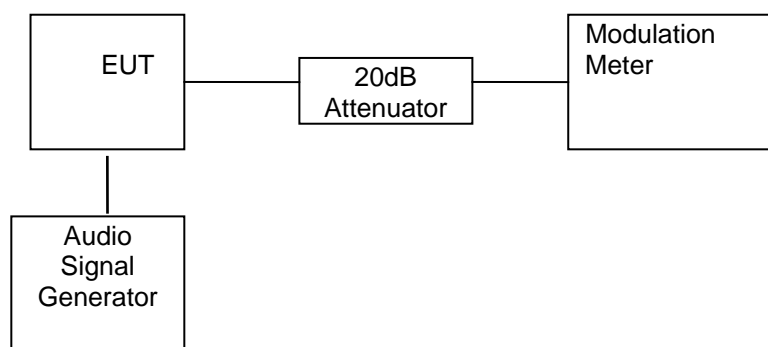
4.2 Modulation Limiting Characteristics (Section 2.1047(b), 95.637(a))

A. Test Equipment

Equipment	Brand Name	Model No.
Audio Signal Generator	HP	HP8904A
20 dB RF Attenuator	Bird	8304-200-N
Radiocommunication Service Monitor	R&S	CMS54

B. Testing Procedure

- 1) Set-up the test equipment in the following configuration:



- 2) Set the frequency of the audio signal generator to 500Hz and adjust the level from 47dB SPL to 137dB SPL.
- 3) Record the maximum value of plus or minus peak frequency deviation.
- 4) Repeat the above procedure with frequency 1000Hz, 2500Hz & 3125Hz.
- 5) The peak frequency deviation must not exceed:

GMRS + FRS : $\pm 2.5\text{kHz}$

INTERTEK TESTING SERVICES

C. Test Result

Table 3

**Giant Electronics Ltd.
MJ270**

Modulation Limiting Characteristics

Test Channel : 4

Modulation Input (dB SPL)	Peak Frequency Deviation (kHz) at 500Hz	Peak Frequency Deviation (kHz) at 1000Hz	Peak Frequency Deviation (kHz) at 2500Hz	Peak Frequency Deviation (kHz) at 3125Hz
47	0.037	0.036	0.039	0.036
57	0.040	0.039	0.043	0.039
67	0.041	0.064	0.090	0.075
77	0.071	0.176	0.480	0.417
87	0.197	0.867	1.258	1.023
97	0.959	2.005	2.192	1.656
107	2.081	2.074	2.249	1.676
117	2.081	1.989	2.262	1.669
127	2.097	1.956	2.282	1.696
137	2.088	1.976	2.279	1.686

Verdict: Passed

Test Engineer: Ken Sit

Date of Test: November 25-December 24, 2008

INTERTEK TESTING SERVICES

4.3 Audio Low Pass Filter Response (Section 2.1047(a))

A. Test Equipment

Equipment	Brand Name	Model No.
Audio Signal Generator	HP	HP8904A
AC Millivoltmeter	Leader	LMV-182A

B. Testing Procedure

- 1) Connect the audio signal generator to the input of the post limiter low pass filter and the dB meter to the output of the post limiter low pass filter.
- 2) Apply a 1000 Hz tone from the audio signal generator and adjust the level per manufacturer's specifications. Record the dB level of the 1000 Hz tone as LEV_{REF} .
- 3) Set the audio signal generator to the desired test frequency between 3000 Hz and the upper low pass filter limit. Record the dB level at the test frequency as LEV_{FREQ} .
- 4) Calculate the audio frequency response at the test frequency as:

$$\text{low pass filter response} = LEV_{FREQ} - LEV_{REF}$$

- 5) Repeat the above procedure for all the desired test frequencies.

INTERTEK TESTING SERVICES

C. Test Result

Table 4

**Giant Electronics Ltd.
MJ270**

Low-Pass Filter Response

Test Channel : 4

Audio Input Strength = 800mVrms

Frequency (kHz)	dB relative to 1 kHz	TIA/EIA-603C
1	0.0	0.0
3	-3.0	0.0
4	-9.5	-7.5
5	-17.0	-13.3
6	-23.0	-18.1
8	-32.0	-25.6
10	-39.0	-31.4
15	-52.0	-41.9
20	-58.5	-50.0
30	-60.5	-50.0
40	-60.5	-50.0
50	-60.5	-50.0
60	-60.5	-50.0
70	-60.5	-50.0
80	-60.5	-50.0
90	-60.5	-50.0
100	-60.5	-50.0

Audio Output at 1kHz: -10.0dBV

Verdict: Passed

Test Engineer: Ken Sit

Date of Test: November 25-December 24, 2008

INTERTEK TESTING SERVICES

EXHIBIT 5

OCCUPIED BANDWIDTH

INTERTEK TESTING SERVICES

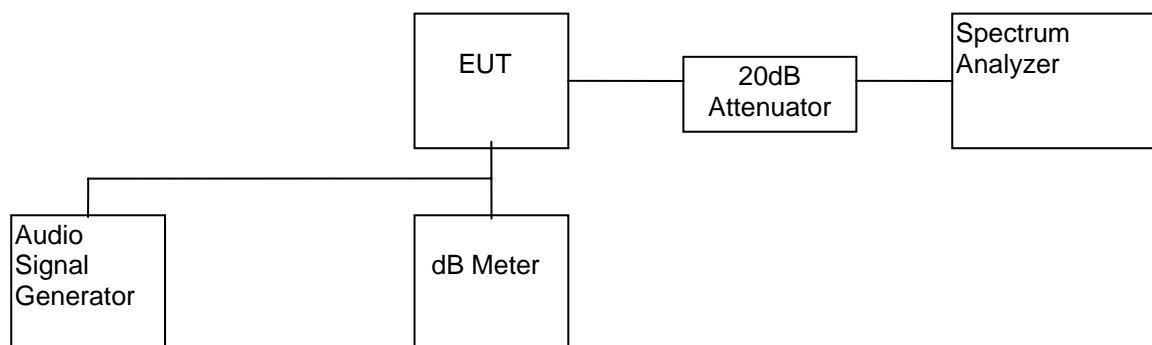
5.0 Occupied Bandwidth (Section 95.633(c))

A. Test Equipment

Equipment	Brand Name	Model No.
Audio Signal Generator	HP	HP8904A
AC Millivoltmeter	Leader	LMV-182A
20 dB RF Attenuator	Bird	8304-200-N
Spectrum Analyzer	HP	8951EM

B. Testing Procedure

- 1) Set-up the test equipment in the following configuration:



- 2) Set the level of audio signal generator to obtain 16 dB greater than required for 50% modulation.
- 3) The occupied bandwidth is measured with the spectrum analyzer set at 2kHz/div scan and 10dB/div.

INTERTEK TESTING SERVICES

C. Test Result

Table 5

**Giant Electronics Ltd.
MJ270**

System	Channel	Measured Bandwidth (kHz)	Limit (kHz)
GMRS	4	5.68	≤20
FRS	11	5.68	≤12.5

Verdict: Passed

For the electronic filing, the bandwidth plot is saved with filename: bw.pdf

Test Engineer: Ken Sit

Date of Test: November 25-December 24, 2008

INTERTEK TESTING SERVICES

EXHIBIT 6

SPURIOUS EMISSION

INTERTEK TESTING SERVICES

6.0 **Spurious Emission (Section 2.1053, 95.635(b))**

In order to satisfy the 95.635(b) requirement, the spurious emission from the EUT are measured and shown in the Exhibit 6.1.

INTERTEK TESTING SERVICES

6.1 Field Strength of Spurious Radiation (Section 2.1053, 95.635(b))

A. Test Equipment

Equipment	Brand Name	Model No.
Antenna	EMCO	A100, 3148, 3104C, 3115
Spectrum Analyzer	ADVANTEST	U3661
Test receiver	Rohde & Schwarz	ESVS30
RF Filter	Trilithic	3VF500/1000-5-50-CC
Signal Generator	IFR	2023B

B. Testing Procedure

Radiated emission measurements were performed according to the procedures in ANSI C63.4(2003). All measurements were performed in Open Area Test Sites located at Roof Top of Garment Centre, 576 Castle Peak Road, Kowloon, Hong Kong.

INTERTEK TESTING SERVICES

C. Radiated Emission Configuration Photograph

Worst Case Radiated Emission

For electronic filing, the radiated emission configurations photograph is saved with filename: config photos.pdf

INTERTEK TESTING SERVICES

C. Test Result

**Giant Electronics Ltd.
MJ270**

Table 6(a)

1) Unwanted emission from CARRIER $\pm 6.25\text{kHz}$ to CARRIER $\pm 31.25\text{kHz}$

(Refer to the plots which is saved with filename: spurious.pdf)

Region	Unwanted emission	
	Channel 4	Channel 11
CARRIER $\pm 6.25\text{kHz}$ to $\pm 12.5\text{kHz}$	<25dB	<25dB
CARRIER $\pm 12.5\text{kHz}$ to $\pm 31.25\text{kHz}$	<35dB	<35dB

INTERTEK TESTING SERVICES

Table 6(e): Channel 4 – Mode: Transmitter with Extra Charger

Frequency (MHz)	Effective Radiated Power (dBm)	Transmission Power (dBm)	Attenuation (dBc)	Limit (dBc)	Margin (dB)
231.319	-27.0	32.8	59.8	45.8	-14.0
693.956	-34.1	32.8	66.9	45.8	-21.1
925.274	-15.4	32.8	48.2	45.8	-2.4
1156.593	-38.0	32.8	70.8	45.8	-25.0
1387.911	-21.8	32.8	54.6	45.8	-8.8
1619.230	-28.0	32.8	60.8	45.8	-15.0
1850.548	-22.0	32.8	54.8	45.8	-9.0
2081.867	-34.2	32.8	67.0	45.8	-21.2
2313.185	-14.2	32.8	47.0	45.8	-1.2
2544.504	-33.2	32.8	66.0	45.8	-20.2
2775.822	-24.5	32.8	57.3	45.8	-11.5
3007.141	-30.0	32.8	62.8	45.8	-17.0
3238.459	-25.0	32.8	57.8	45.8	-12.0
3469.778	-24.8	32.8	57.6	45.8	-11.8
3701.096	-21.0	32.8	53.8	45.8	-8.0
3932.415	-32.0	32.8	64.8	45.8	-19.0
4163.733	-28.2	32.8	61.0	45.8	-15.2
4395.052	-34.2	32.8	67.0	45.8	-21.2
4626.370	-34.0	32.8	66.8	45.8	-21.0

- Remark: 1. Transmission power is 32.8 dBm or 2.8 dB(W).
2. According to Section 95.635(b7), the unwanted emission should be attenuated below TP by at least $43 + 10 \log_{10}(TP)$ dB or 45.8 dB.
3. The test is performed according to ANSI/TIA-603-C-2004.

Verdict: Passed

Test Engineer: Ken Sit

Date of Test: November 25-December 24, 2008

INTERTEK TESTING SERVICES

Table 6(c): Channel 11 – Mode: Transmitter with USB Adaptor

Frequency (MHz)	Effective Radiated Power (dBm)	Transmission Power (dBm)	Attenuation (dBc)	Limit (dBc)	Margin (dB)
233.818	-33.6	25.4	59.0	38.4	-20.6
701.456	-28.8	25.4	54.2	38.4	-15.8
935.274	-26.8	25.4	52.2	38.4	-13.8
1169.093	-29.8	25.4	55.2	38.4	-16.8
1402.911	-36.6	25.4	62.0	38.4	-23.6
1636.730	-32.0	25.4	57.4	38.4	-19.0
1870.548	-21.8	25.4	47.2	38.4	-8.8
2104.367	-33.9	25.4	59.3	38.4	-20.9
2338.185	-37.0	25.4	62.4	38.4	-24.0
2572.004	-37.2	25.4	62.6	38.4	-24.2
2805.822	-37.8	25.4	63.2	38.4	-24.8
3039.641	-38.0	25.4	63.4	38.4	-25.0
3273.459	-40.8	25.4	66.2	38.4	-27.8
3507.278	-41.2	25.4	66.6	38.4	-28.2
3741.096	-41.5	25.4	66.9	38.4	-28.5
3974.915	-40.6	25.4	66.0	38.4	-27.6
4208.733	-42.0	25.4	67.4	38.4	-29.0
4442.552	-42.2	25.4	67.6	38.4	-29.2
4676.370	-42.8	25.4	68.2	38.4	-29.8

- Remark: 1. Transmission power is 25.4 dBm or -4.6 dB(W).
2. According to Section 95.635(b7), the unwanted emission should be attenuated below TP by at least $43 + 10 \log_{10} (TP)$ dB or 38.4 dB.
3. The test is performed according to ANSI/TIA-603-C-2004.

Verdict: Passed

Test Engineer: Ken Sit

Date of Test: November 25-December 24, 2008

INTERTEK TESTING SERVICES

Table 6(d): Channel 11

Mode: Transmitter with Charing using USB cable via Computer

Frequency (MHz)	Effective Radiated Power (dBm)	Transmission Power (dBm)	Attenuation (dBc)	Limit (dBc)	Margin (dB)
233.818	-33.8	25.4	59.2	38.4	-20.8
701.456	-29.0	25.4	54.4	38.4	-16.0
935.274	-27.0	25.4	52.4	38.4	-14.0
1169.093	-30.6	25.4	56.0	38.4	-17.6
1402.911	-37.2	25.4	62.6	38.4	-24.2
1636.730	-32.2	25.4	57.6	38.4	-19.2
1870.548	-21.8	25.4	47.2	38.4	-8.8
2104.367	-34.2	25.4	59.6	38.4	-21.2
2338.185	-36.9	25.4	62.3	38.4	-23.9
2572.004	-37.2	25.4	62.6	38.4	-24.2
2805.822	-37.6	25.4	63.0	38.4	-24.6
3039.641	-38.2	25.4	63.6	38.4	-25.2
3273.459	-40.8	25.4	66.2	38.4	-27.8
3507.278	-41.0	25.4	66.4	38.4	-28.0
3741.096	-41.5	25.4	66.9	38.4	-28.5
3974.915	-40.5	25.4	65.9	38.4	-27.5
4208.733	-42.2	25.4	67.6	38.4	-29.2
4442.552	-42.8	25.4	68.2	38.4	-29.8
4676.370	-43.1	25.4	68.5	38.4	-30.1

- Remark: 1. Transmission power is 25.4 dBm or -4.6 dB(W).
2. According to Section 95.635(b7), the unwanted emission should be attenuated below TP by at least $43 + 10 \log_{10}(TP)$ dB or 38.4 dB.
3. The test is performed according to ANSI/TIA-603-C-2004.

Verdict: Passed

Test Engineer: Ken Sit

Date of Test: November 25-December 24, 2008

INTERTEK TESTING SERVICES

6.2 Field Strength of Radiated Emission and AC line Conducted Emission (Section 15.109 & 15.107) - Weather Band Receiver

Data is included worst case configuration (the configuration which resulted in the highest emission levels). A sample calculation, configuration photographs and data tables of the emissions are included.

INTERTEK TESTING SERVICES

A. Field Strength Calculation

The field strength is calculated by adding the reading on the Spectrum Analyzer to the factors associated with preamplifiers (if any), antennas, cables, pulse desensitization and average factors (when specified limit is in average and measurements are made with peak detectors). A sample calculation is included below.

$$FS = RA + AF + CF - AG + PD + AV$$

where

- FS = Field Strength in dB μ V/m
- RA = Receiver Amplitude (including preamplifier) in dB μ V
- CF = Cable Attenuation Factor in dB
- AF = Antenna Factor in dB
- AG = Amplifier Gain in dB
- PD = Pulse Desensitization in dB
- AV = Average Factor in -dB

In the radiated emission table which follows, the reading shown on the data table may reflect the preamplifier gain. An example of the calculations, where the reading does not reflect the preamplifier gain, follows:

$$FS = RA + AF + CF - AG + PD + AV$$

INTERTEK TESTING SERVICES

A. Field Strength Calculation (cont'd)

Example

Assume a receiver reading of 62.0 dB μ V is obtained. The antenna factor of 7.4 dB and cable factor of 1.6 dB is added. The amplifier gain of 29 dB is subtracted. The pulse desensitization factor of the spectrum analyzer was 0 dB, and the resultant average factor was -10 dB. The net field strength for comparison to the appropriate emission limit is 32 dB μ V/m. This value in dB μ V/m was converted to its corresponding level in μ V/m.

$$RA = 62.0 \text{ dB}\mu\text{V}$$

$$AF = 7.4 \text{ dB}$$

$$CF = 1.6 \text{ dB}$$

$$AG = 29.0 \text{ dB}$$

$$PD = 0 \text{ dB}$$

$$AV = -10 \text{ dB}$$

$$FS = 62 + 7.4 + 1.6 - 29 + 0 + (-10) = 32 \text{ dB}\mu\text{V/m}$$

$$\text{Level in } \mu\text{V/m} = \text{Common Antilogarithm} [(32 \text{ dB}\mu\text{V/m})/20] = 39.8 \mu\text{V/m}$$

INTERTEK TESTING SERVICES

B. Radiated Emission Configuration Photograph - Weather Band Receiver

Worst Case Radiated Emission
at
141.025 MHz

For electronic filing, the worst case radiated emission configuration photograph is saved with filename: config photos.pdf

INTERTEK TESTING SERVICES

C. Radiated Emission Data - Weather Band Receiver

The data on the following page lists the significant emission frequencies, the limit and the margin of compliance. Numbers with a minus sign are below the limit.

Judgement: Passed by 9.6 dB margin

TEST PERSONNEL:



Signature

Ken Sit, Assistant Manager

Typed/Printed Name

December 19, 2008

Date

INTERTEK TESTING SERVICES

Company: Giant Electronics Ltd.

Date of Test: November 25-December 24, 2008

Model: MJ270

Mode: Weather Band Receiver (with headset)

Table 4(c)

Radiated Emissions

Polarization	Frequency (MHz)	Reading (dB μ V)	Pre-amp (dB)	Antenna Factor (dB)	Net at 3m (dB μ V/m)	Limit at 3m (dB μ V/m)	Margin (dB)
V	141.025	35.9	16	14.0	33.9	43.5	-9.6
V	282.050	26.6	16	22.0	32.6	46.0	-13.4
V	423.075	23.4	16	25.0	32.4	46.0	-13.6
V	564.100	21.8	16	28.0	33.8	46.0	-12.2
V	705.125	18.5	16	30.0	32.5	46.0	-13.5

- NOTES:
1. Peak detector is used for the emission measurement.
 2. All measurements were made at 3 meters.
 3. Negative value in the margin column shows emission below limit.

Test Engineer: Ken Sit

INTERTEK TESTING SERVICES

Conducted Emission Configuration Photograph

Worst Case Conducted Emission

For electronic filing, the conducted emission configurations photograph is saved with filename: config photos.pdf

INTERTEK TESTING SERVICES

D. Test Result

**Giant Electronics Ltd.
MJ270**

Conducted Emission

For electronic filing, the conducted emission test result is saved with filename:
conduct.pdf

INTERTEK TESTING SERVICES

EXHIBIT 7

FREQUENCY STABILITY

INTERTEK TESTING SERVICES

7.0 Frequency Stability (Section 2.1055(a)(b)(d), 95.627(b))

The frequency tolerance was tested in normal condition & over extreme ambient conditions with respect to voltage and temperature variation.

INTERTEK TESTING SERVICES

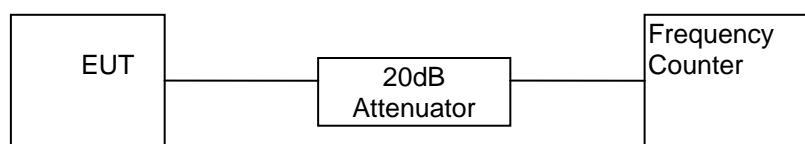
7.1 Frequency Tolerance (Section 95.627(b))

A. Test Equipment

Equipment	Brand Name	Model No.
20 dB RF Attenuator	Bird	8304-200-N
Frequency Counter	OPTOELECTRONICS	3000A

B. Testing Procedure

- 1) Set-up the test equipment in the following configuration:



- 2) Measure all transmit channel frequencies in MHz.

INTERTEK TESTING SERVICES

C. Test Result

Table 7

**Giant Electronics Ltd.
MJ270**

Frequency Tolerance

Channel	Frequency (MHz)	Measured Frequency (MHz)	Tolerance (%)
1	462.5625	462.56270	0.000043
2	462.5875	462.58770	0.000043
3	462.6125	462.61270	0.000043
4	462.6375	462.63770	0.000043
5	462.6625	462.66270	0.000043
6	462.6875	462.68770	0.000043
7	462.7125	462.71270	0.000043
8	467.5625	467.56270	0.000043
9	467.5875	467.58770	0.000043
10	467.6125	467.61270	0.000043
11	467.6375	467.63770	0.000043
12	467.6625	467.66270	0.000043
13	467.6875	467.68770	0.000043
14	467.7125	467.71270	0.000043
15	462.5500	462.55020	0.000043
16	462.5750	462.57520	0.000043
17	462.6000	462.60020	0.000043
18	462.6250	462.62520	0.000043
19	462.6500	462.65020	0.000043
20	462.6750	462.67520	0.000043
21	462.7000	462.70020	0.000043
22	462.7250	462.72520	0.000043

FCC Limit for FRS (95.627(b)): $\leq \pm 0.00025\%$

RSS-210 Limit for GMRS and FRS (A6.2.6, A6.1.6): $< \pm 5\text{ppm}$

Verdict: Passed

Test Engineer: Ken Sit

Date of Test: November 25-December 24, 2008

INTERTEK TESTING SERVICES

7.2 Frequency Stability - Temperature (Section 2.1055(a)(b), 95.627(b))

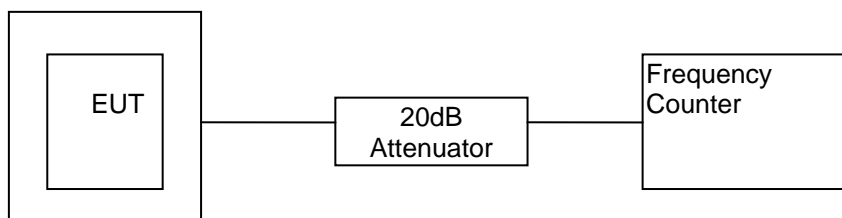
A. Test Equipment

Equipment	Brand Name	Model No.
20 dB RF Attenuator	Bird	8304-200-N
Frequency Counter	OPTOELECTRONICS	3000A

B. Testing Procedure

- 1) Set-up the test equipment in the following configuration:

Temperature Chamber



- 2) Set the Temperature Chamber to 20°C and stabilize the EUT temperature for one hour. Set transmitter ON for two minutes.
- 3) Measure the channel frequency of channel 4, 11 in MHz.
- 4) Turn the EUT OFF.
- 5) Repeat the above procedure from -30°C to 50°C with 10°C increment for GMRS.
- 6) Repeat the above procedure from -20°C to 50°C with 10°C increment for FRS.

INTERTEK TESTING SERVICES

C. Test Result

Table 8(a)

**Giant Electronics Ltd.
MJ270**

Frequency Deviation with Temperature Variation

Channel : 4

Temperature (°C)	Assigned Frequency (MHz)	Measured Frequency (MHz)	Deviation (%)	*Frequency Tolerance with reference to its value at +20°C (ppm)
-30	462.63750	462.63642	-0.000233	-2.8
-20	462.63750	462.63754	0.000009	-0.3
-10	462.63750	462.63796	0.000099	0.6
0	462.63750	462.63840	0.000195	1.5
10	462.63750	462.63843	0.000201	1.6
20	462.63750	462.63770	0.000043	0.0
30	462.63750	462.63780	0.000065	0.2
40	462.63750	462.63744	-0.000013	-0.6
50	462.63750	462.63781	0.000067	0.2

Remark: 1) For GMRS, frequency tolerance must be maintained within a frequency tolerance of 0.0005%.

2) *This column is presentable for Industry Canada Certification only.

Verdict: Passed

Test Engineer: Ken Sit

Date of Test: November 25-December 24, 2008

INTERTEK TESTING SERVICES

C. Test Result

Table 8(b)

**Giant Electronics Ltd.
MJ270**

Frequency Deviation with Temperature Variation

Channel : 11

Temperature (°C)	Assigned Frequency (MHz)	Measured Frequency (MHz)	Deviation (%)	*Frequency Tolerance with reference to its value at +20°C (ppm)
-20	467.63750	467.63755	0.000011	-0.3
-10	467.63750	467.63797	0.000101	0.6
0	467.63750	467.63841	0.000195	1.5
10	467.63750	467.63844	0.000201	1.6
20	467.63750	467.63770	0.000043	0.0
30	467.63750	467.63781	0.000066	0.2
40	467.63750	467.63745	-0.000011	-0.5
50	467.63750	467.63782	0.000068	0.3

Remark: 1) For GMRS, frequency tolerance must be maintained within a frequency tolerance of 0.0005%.

2) *This column is presentable for Industry Canada Certification only.

Verdict: Passed

Test Engineer: Ken Sit

Date of Test: November 25-December 24, 2008

INTERTEK TESTING SERVICES

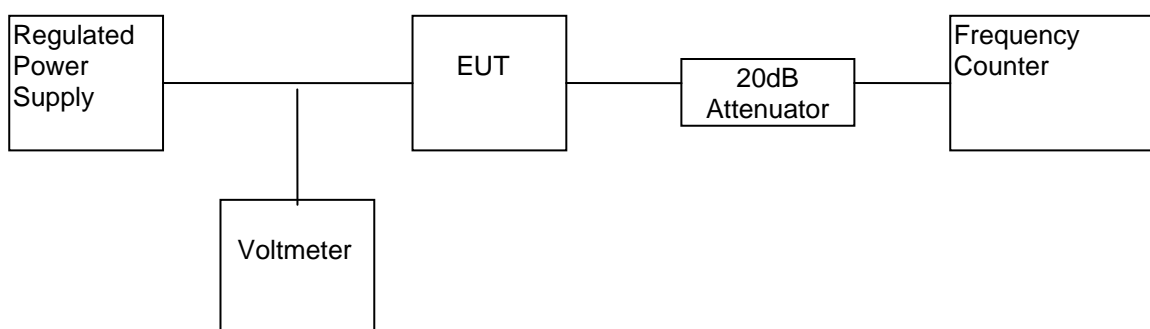
7.3 Frequency Stability - Voltage (Section 2.1055(d), 95.627(b))

A. Test Equipment

Equipment	Brand Name	Model No.
Regulated Power Supply	PAD	30-35L
20 dB RF Attenuator	Bird	8304-200-N
Voltage meter	Fluke	87
Frequency Counter	OPTOELECTRONICS	3000A

B. Testing Procedure

- 1) Set-up the test equipment in the following configuration:



- 2) Vary the level of regulated power supply to the manufacturer specified battery end point of the EUT.
- 3) Measure the channel frequency of channel 4 and 11 in MHz.

INTERTEK TESTING SERVICES

C. Test Result

Table 9

**Giant Electronics Ltd.
MJ270**

Frequency Deviation with Voltage Variation

The manufacturer specified battery end point 3.6V

Channel	Frequency (MHz)	Measured Frequency (MHz)	Tolerance (%)
4	462.63750	462.63750	0.000000
11	467.63750	467.63783	0.000071

- Remark: 1) For FRS, frequency tolerance must be maintained within a frequency tolerance of 0.00025%.
2) For GMRS, frequency tolerance must be maintained within a frequency tolerance of 0.0005%.
3) The test voltage is from primary supply voltage to 3.6V

Test Engineer: Ken Sit

Date of Test: November 25-December 24, 2008

INTERTEK TESTING SERVICES

EXHIBIT 8

TECHNICAL SPECIFICATIONS

INTERTEK TESTING SERVICES

8.0 Technical Specifications

8.1 Block Diagram

For electronic filing, the block diagram of the transceiver is saved with filename: block.pdf

Figure 8.1 Block Diagram

INTERTEK TESTING SERVICES

8.2 Schematic Diagram

For electronic filing, the schematic diagram of the transceiver is saved with filename: circuit.pdf

Figure 8.2 Schematic Diagram

INTERTEK TESTING SERVICES

EXHIBIT 9

PRODUCT LABELLING

INTERTEK TESTING SERVICES

9.0 **Product Labelling**

9.1 Label Artwork & Location

Figure 9.1 Label Artwork & Location

An engineering drawing of the label which will be permanently affixed to the unit.
For electronic filing, the label artwork & location are saved with filename: label.pdf

INTERTEK TESTING SERVICES

EXHIBIT 10
PHOTOGRAPHS

INTERTEK TESTING SERVICES

10.0 Equipment Photographs

For electronic filing, photographs of the tested EUT are saved with filename: external photos.pdf and internal photos.pdf.

INTERTEK TESTING SERVICES

EXHIBIT 11

INSTRUCTION MANUAL

INTERTEK TESTING SERVICES

11.0 Instruction Manual

This manual will be provided to the end-user with each unit sold/leased in the United States.

For electronic filing, a preliminary copy of the Instruction Manual is saved with filename: manual.pdf

INTERTEK TESTING SERVICES

EXHIBIT 12

TUNE UP PROCEDURE

INTERTEK TESTING SERVICES

12.0 Tune Up Procedure

For electronic filing, a preliminary copy of the Tune Up Procedure is saved with filename: tuneup.pdf

INTERTEK TESTING SERVICES

EXHIBIT 13

PART LIST

INTERTEK TESTING SERVICES

13.0 Part List

For electronic filing, a preliminary copy of the Part List is saved with filename:
partlist.pdf

INTERTEK TESTING SERVICES

EXHIBIT 14

LETTER OF AGENCY

INTERTEK TESTING SERVICES

14.0 Letter of Agency

For electronic filing, a letter of agency is saved with filename: letter of agency.pdf

INTERTEK TESTING SERVICES

EXHIBIT 15

CONFIDENTIALITY REQUEST

INTERTEK TESTING SERVICES

15.0 Confidentiality Request

For electronic filing, a confidentiality request is saved with filename: request.pdf