

REVISED BY: I. ECLEVIA	DATE: 08/12/20	REVISIONS	
REV.	DESCRIPTION	DATE	APPROVED
C	UPDATE PER ECO14129	08/19/20	
⊕	REMOVED BIAS T ON DRAWING; ADDED WARNING LOGO		

NOTES: UNLESS OTHERWISE SPECIFIED

- 1 LABEL SIZE, SHAPE AND CONTENTS ARE SUBJECT TO CHANGE WITHOUT NOTICE.
- 2 MOUNTING HARDWARE TO BE SUPPLIED BY AEROANTENNA.
- 3 CENTER OF GRAVITY.
- 4. TOLERANCES: .XX = ±.03  
.XXX = ±.010  
ANG. = ±1°

**SPECIFICATION:**

**FREQUENCY:**  
INMARSAT  
1518.0-1559.0 MHz (RX)  
1626.5-1675.0 MHz (TX)

GPS  
1575 MHz (GPS L1)

**POLARIZATION:** RIGHT HAND CIRCULAR (GPS and INMARSAT)

**IMPEDANCE:** 50 OHMS

**INMARSAT SPECIFIC**  
G/T : ≥ -20 dB/K ELEVATION 20°-90°

**EIRP (at MAX :** 10.4 dBW ELEVATION 20°-90°  
**COMMAND SETTING)**

**SERVICE COVERAGE:** 90% ELEVATION 20°-90°, AZIMUTH 0°-360°  
FOR G/T AND EIRP

**FINISH:**  
**RADOME:** ULTEM 2200-1000  
POLYURETHANE ENAMEL, FLUID RESISTANT  
COLOR: FED STD 595, WHITE 17875

**BASE PLATE:** ALUMINUM ALLOY 6061-T6  
CHEM FILM, GOLD, CLASS 3,  
PER MIL-DTL-5541

**INSERTS:** ALUMINUM ALLOY 6061-T6  
CHEM FILM, CLEAR, CLASS 1A,  
PER MIL-DTL-5541

**CONNECTOR:** TNC FEMALE

**WEIGHT:** 1.1 LB MAX

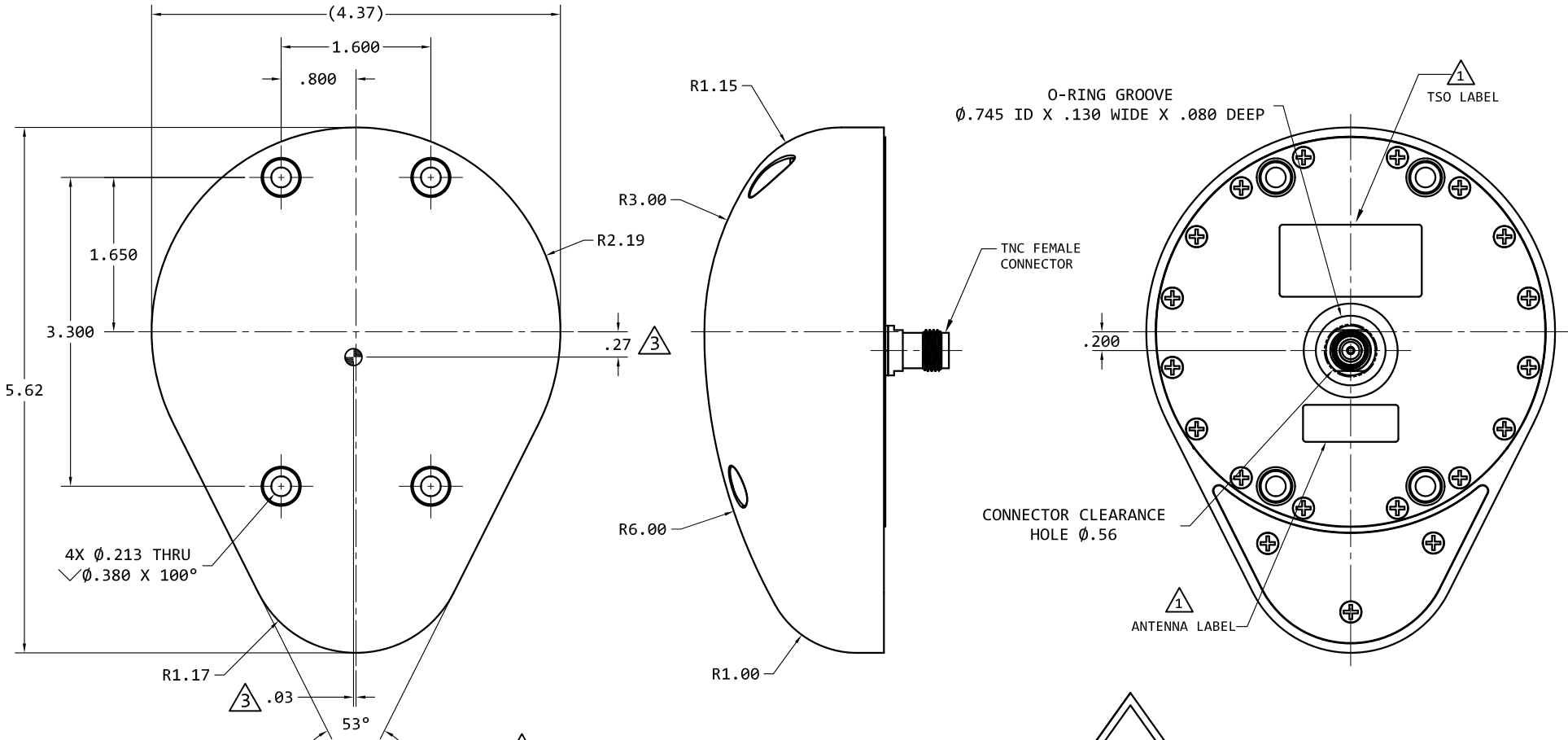
**ALTITUDE:** 55,000'

**OPERATING TEMP:** -55°C TO +71°C

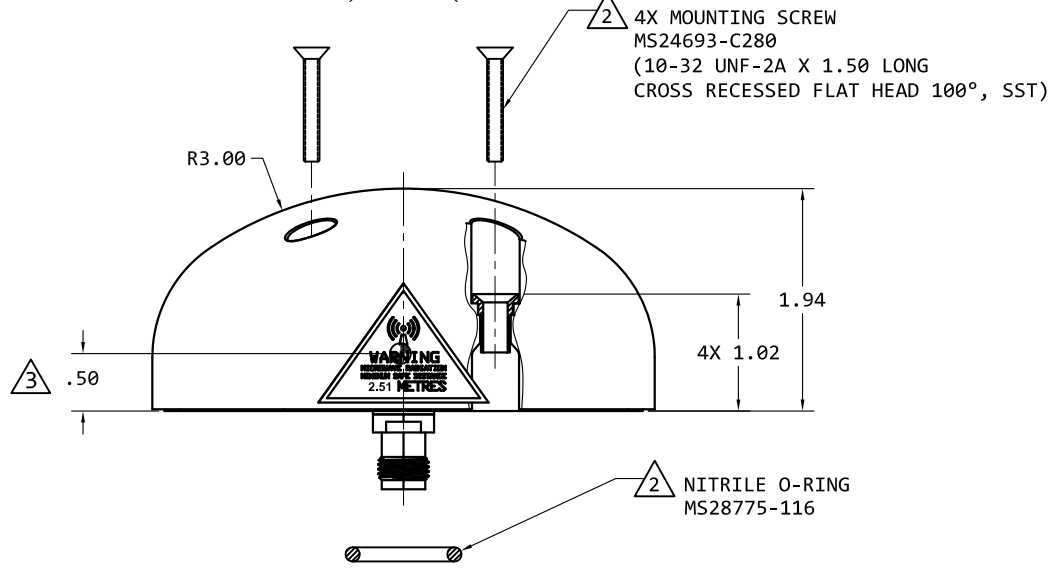
**DESIGNED TO:** INMARSAT CLASS 15  
RTCA DO-160D Change 3 and DO-160G

**ENV CAT:** F2-AB[BD][S(CLMY)U(FF1)]HSFSFSZAAZ[ZCEZWE]  
[RYR]H[A4J4L4][2A2A]CA

**TSO:** C132, INCOMPLETE



LOGO DETAIL SCALE 2:1



DO NOT SCALE THIS DRAWING	DRAWN	A. DEVERA	07/24/15
REMOVE BURRS AND BREAK SHARP EDGES:	CHECKED		
PART TO BE CLEAN AND OIL FREE	ENGR	A. DEVERA	08/19/20
ALL DIMENSIONS ARE IN INCHES DIMENSIONING & TOLERANCING PER ASME Y14.5M-1994	MFG		
TOLERANCES: FRACT = ±1/32 ANG. = ±1/2°	Q.A.		
SURFACE ROUGHNESS MACHINED PARTS V63 MOLDED PARTS V2	APPROVED	B. RUBENI	08/19/20
HOLE DIA. TOLERANCE		Y. ZADEH	08/19/20
.0135 - .125 +.004 -.001	DRAWN IN	ACAD	
.126 - .250 +.005 -.001			
.251 - .500 +.006 -.001			
.501 - .750 +.008 -.001			

**AeroAntenna Technology Inc**  
AS9100 CERTIFIED CO.

**ANTENNA, INMARSAT CLASS 15**

SIZE	CAGE CODE	DRAWING NO.	REV
B	0UVG2	AT1595-13BK	C

SCALE NONE I:\CAD\AT1595\ -13BK\AT1595-13BK\_C SHEET 1 OF 1

AT1595-13BK