

CAD MAINTAINED. CHANGES SHALL BE INCORPORATED BY THE CURRENT DESIGN ACTIVITY

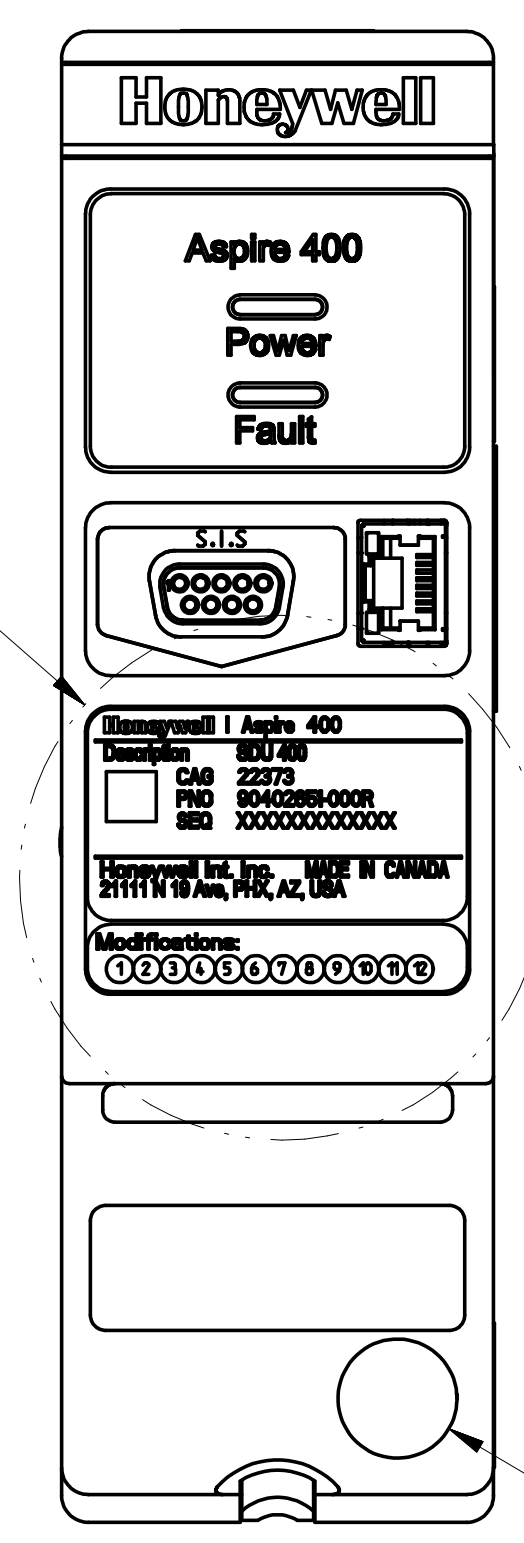
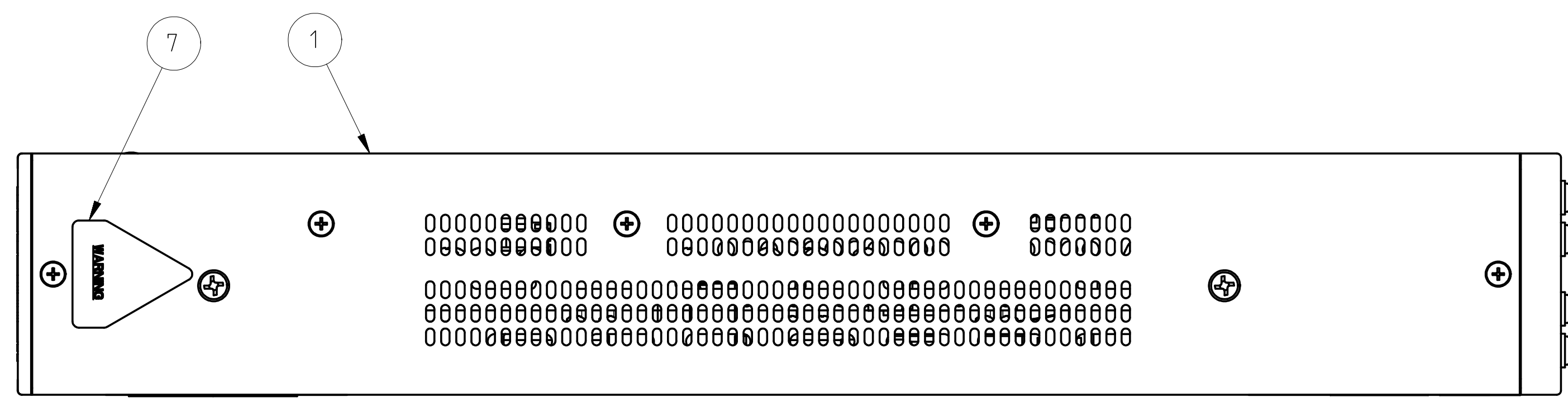
REVISION HISTORY - ALL SHEETS ARE THE SAME REVISION

ZONE	REV	DESCRIPTION	DATE	APPROVED
	A	SEE ECN-8006338	2018-07-11	SEE PDM
	B	SEE ECN-8007933	2018-12-20	SEE PDM
	C	SEE ECN-8016987	2020-03-12	SEE PDM
	D	SEE ECN-8018355	2020-07-15	SEE PDM
	E	SEE ECN-8019934	2020-08-25	SEE PDM

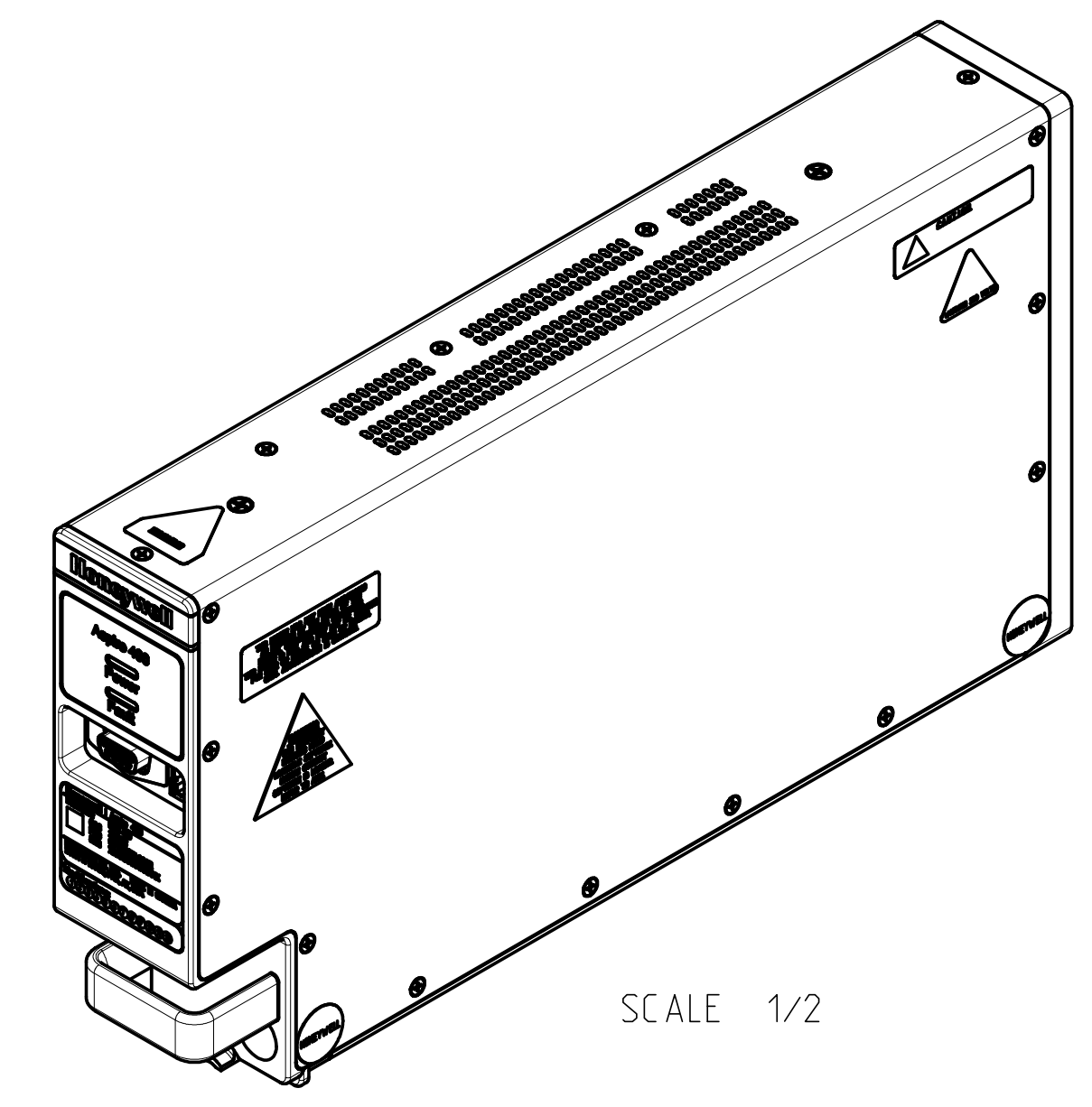
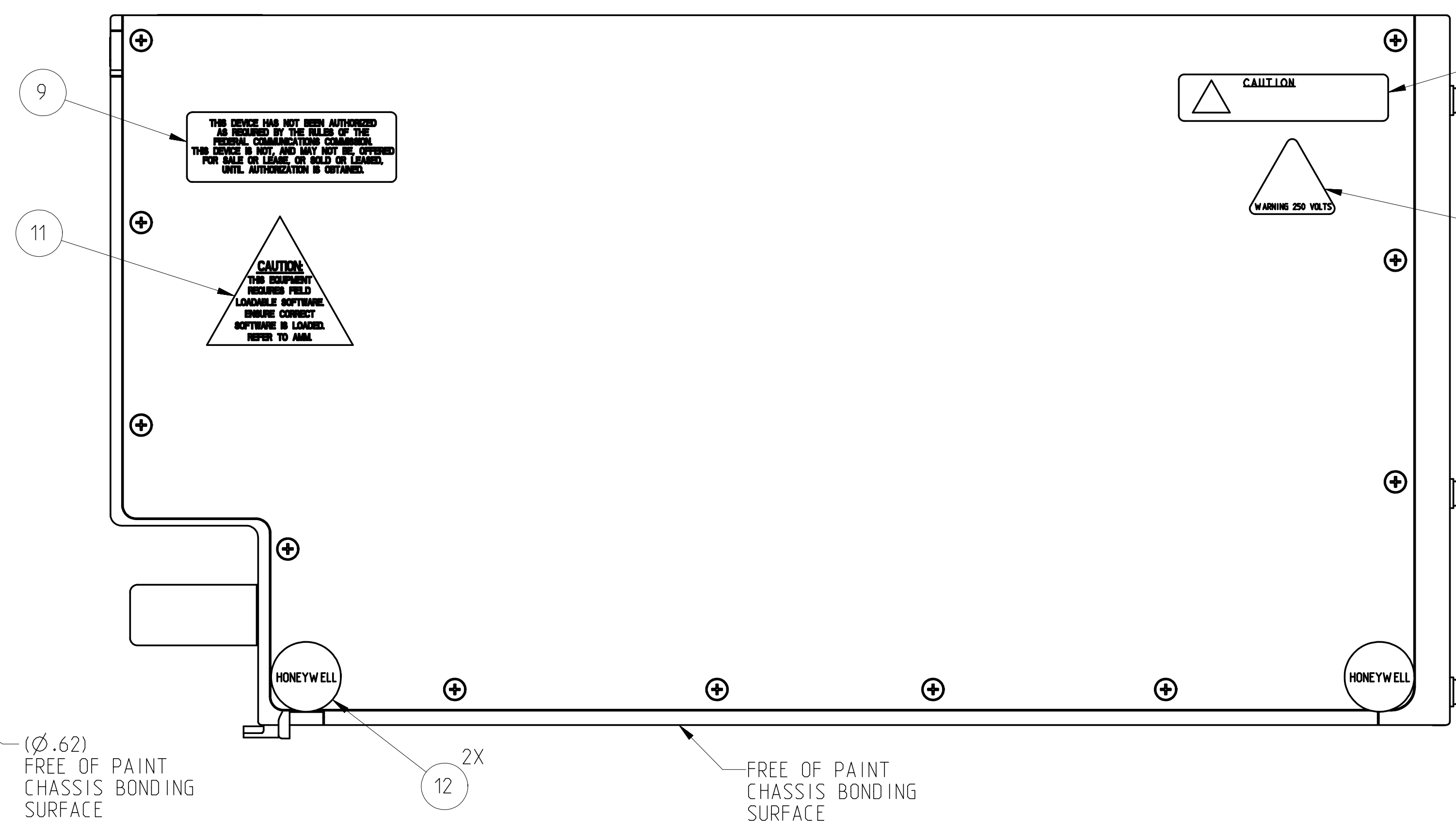
NOTES, UNLESS SPECIFIED OTHERWISE:

- INTERPRET DRAWING IAW ASME Y14.5-2009. DIMENSIONS ARE IN INCHES.
- CAUTION: THIS ASSEMBLY CONTAINS DEVICES SUSCEPTIBLE TO DAMAGE BY ELECTROSTATIC DISCHARGE. HANDLE PER ESD GUIDELINES OF IPC-A-610 AND THE REQUIREMENTS OF ANSI/ESD S20.20.
- APPLY LABELS IN APPROXIMATE LOCATIONS SHOWN. TEXT IN LABELS SHOWN FOR ORIENTATION PURPOSES ONLY.
- TEST PER ACCEPTANCE TEST PROCEDURE TS-90407770.
- INTENTIONALLY LEFT BLANK.

NOTES CONTINUED ON SHEET 2.



SEE DETAIL A ON SHEET 2



SEE SEPARATE PARTS LIST

90402651-000R SHOWN

US GOVERNMENT DATA RIGHTS <b>NONE</b>	SIMILAR PART NO <b>NA</b>	DRAWING START DATE 2017-01-21	<b>EMS TECHNOLOGIES INC.</b> Aerospace - Ottawa, ON CA 
EMS DATA RIGHTS <b>STANDARD HONEYWELL PROPRIETARY</b>	PROGRAM <b>ASPIRE 400</b>	DESIGN S. JAYADI 2018-07-09	
<b>EMS TECHNOLOGIES-CONFIDENTIAL:</b> THIS DOCUMENT CONTAINS INFORMATION WHICH IS PROPRIETARY AND CONFIDENTIAL TO EMS TECHNOLOGIES. THIS INFORMATION MAY NOT BE USED, DISCLOSED OR COPIED, IN WHOLE OR IN PART, WITHOUT THE PRIOR WRITTEN PERMISSION OF EMS TECHNOLOGIES.	SALES ORDER NUMBER <b>NA</b>	CHECKER A. VANDERPOL 2018-07-11	TITLE <b>SDU ASSEMBLY, ASPIRE 400</b>
	THIRD ANGLE PROJECTION	PROJECT SEE PDM QUALITY SEE PDM ANALYST NA	SIZE <b>D</b>
	FINAL <b>NA</b> NEXT ASSY <b>USED ON</b> INITIAL APPLICATION		<b>ELECTRONIC APPROVALS</b> INITIAL RELEASE: ECU-0303105 ALL APPROVALS CONTROLLED BY THE PRODUCT DATA MANAGEMENT SYSTEM CONTRACT NUMBER <b>NA</b>
		DESIGN APPROVALS S. JAYADI CHECKER APPROVALS A. VANDERPOL PROJECT APPROVALS SEE PDM QUALITY APPROVALS SEE PDM ANALYST APPROVALS NA	REV <b>E</b> PRO/ENGINEER

PRODUCTION - Released - 06-Sep-2020 14:22:28 UTC

NOTES, UNLESS SPECIFIED OTHERWISE (CONTINUED FROM SHEET 1):

6. INTENTIONALLY LEFT BLANK.

7. MARK IDENTIFICATION LABEL FIND NO. 5 WITH DATA BELOW AND DATA MATRIX SYMBOLS OF MINIMUM SIZE OF .26 X .26 FOR THE 26 X 26 MODULE (CAG, PNO AND SEQ) USING U11 CONSTRUCT # 2 AND ISO 15434 SYNTAX WITH THE "12" FORMAT HEADER PER MIL-STD-130. MARKED CHARACTERS SHALL BE HONEYWELL SANS MEDIUM, .08 HIGH MINIMUM:

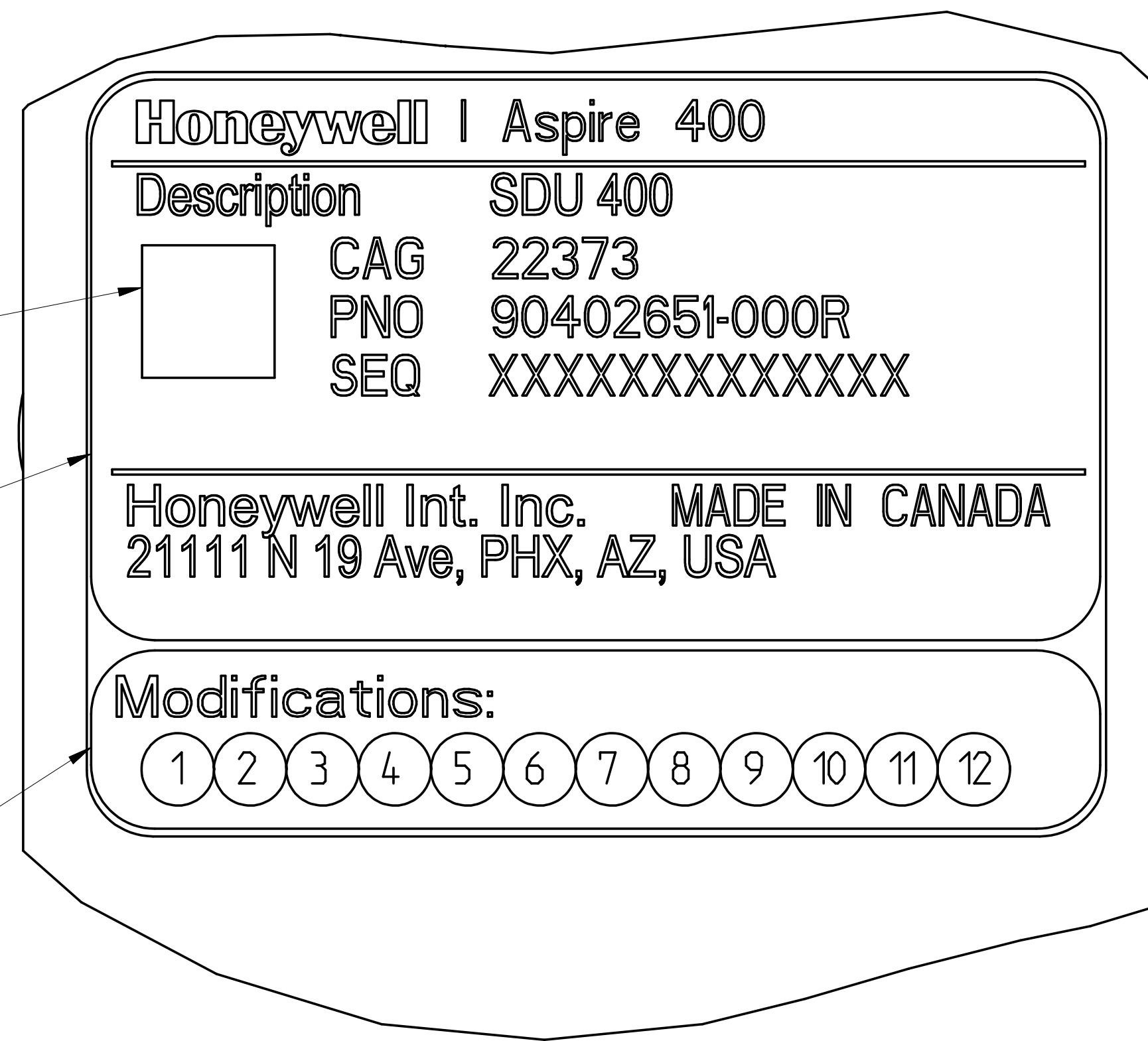
Description SDU 400  
 CAG 22373  
 PNO 90402651-000R  
 SEQ XXXXXXXXXXXXX

WHERE PNO IS THE ORIGINAL PART NUMBER, BETWEEN 1 AND 15 CHARACTERS IN LENGTH. SEQ IS THE NUMERIC SERIAL NUMBER, BETWEEN 1 AND 13 DIGITS IN LENGTH (XXXXXXXXXXXX).

8. BLACKEN DOTS OF LABEL, FIND NO. 6 PER TABLE 1.

TABLE 1: 90402651 MODIFICATIONS			
MODIFICATIONS NO.	REMARKS	SERVICE BULLETIN	LABEL
NONE	LABEL CHANGES FROM PNR TO MOD DOT	NONE	RED LABEL

DATA MATRIX  
 APPROXIMATE LOCATION



DETAIL A  
 SCALE 4/1

**EMS TECHNOLOGIES-CONFIDENTIAL:**  
 THIS DOCUMENT CONTAINS INFORMATION WHICH IS PROPRIETARY AND CONFIDENTIAL TO EMS TECHNOLOGIES. THIS INFORMATION MAY NOT BE USED, DISCLOSED OR COPIED, IN WHOLE OR IN PART, WITHOUT THE PRIOR WRITTEN PERMISSION OF EMS TECHNOLOGIES.

EMS TECHNOLOGIES INC.  
 Aerospace - Ottawa, ON CA



SIZE <b>D</b>	CAGE CODE <b>38473</b>	DWG NO <b>90402651</b>	REV <b>E</b>
SCALE: 1/1		SHEET 2 OF 2	