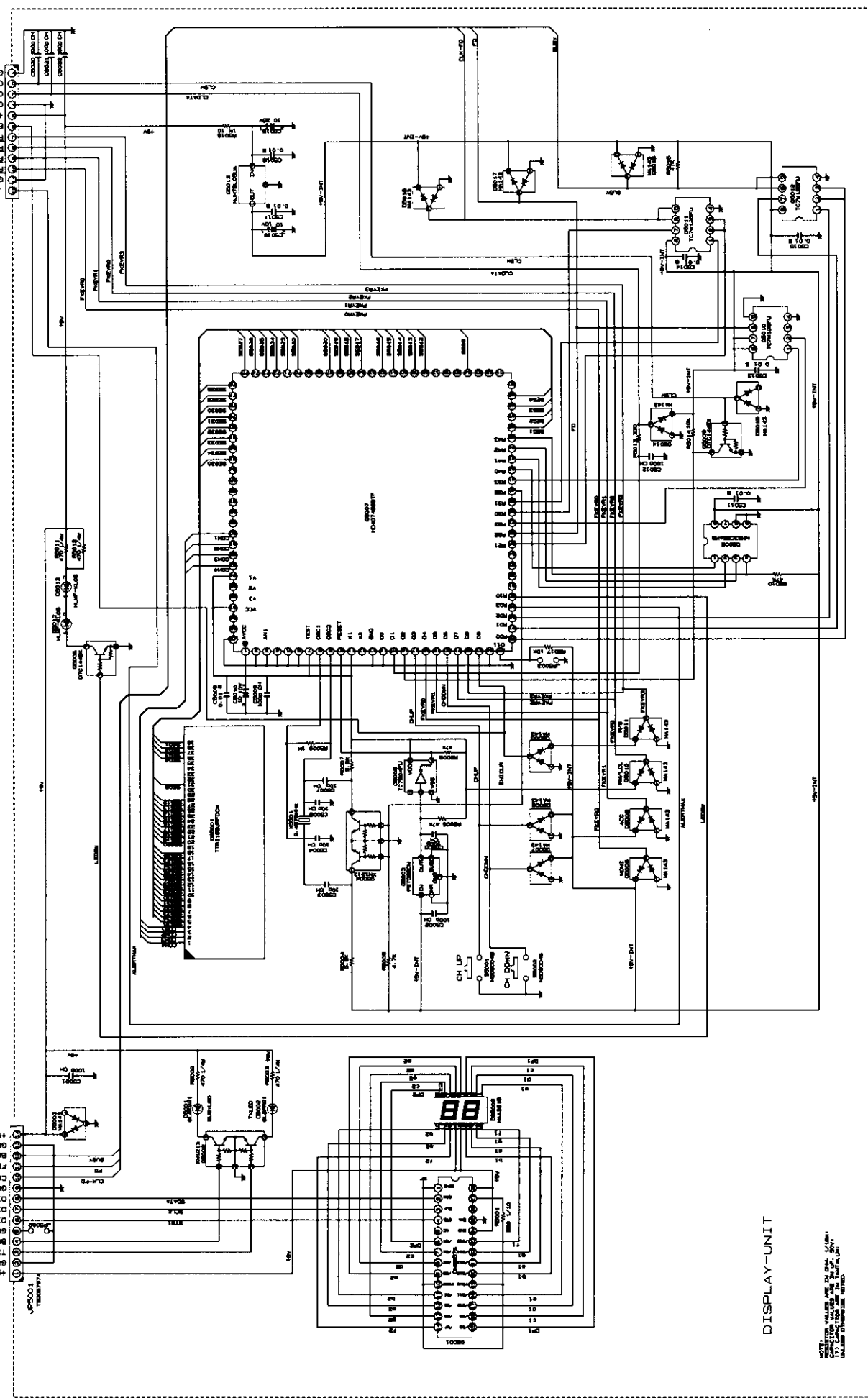


CIRCUIT DIAGRAM MODEL VXR-7000
 DES. B-A13670000/PA-UNIT
 REF. BP003930A.C1R/001.sht EDITION
 DATE 26 OCT..1998 UPDATE 09 JUN..1999
 YAESU MUSEN CO.,LTD

(---) KEY-UNIT

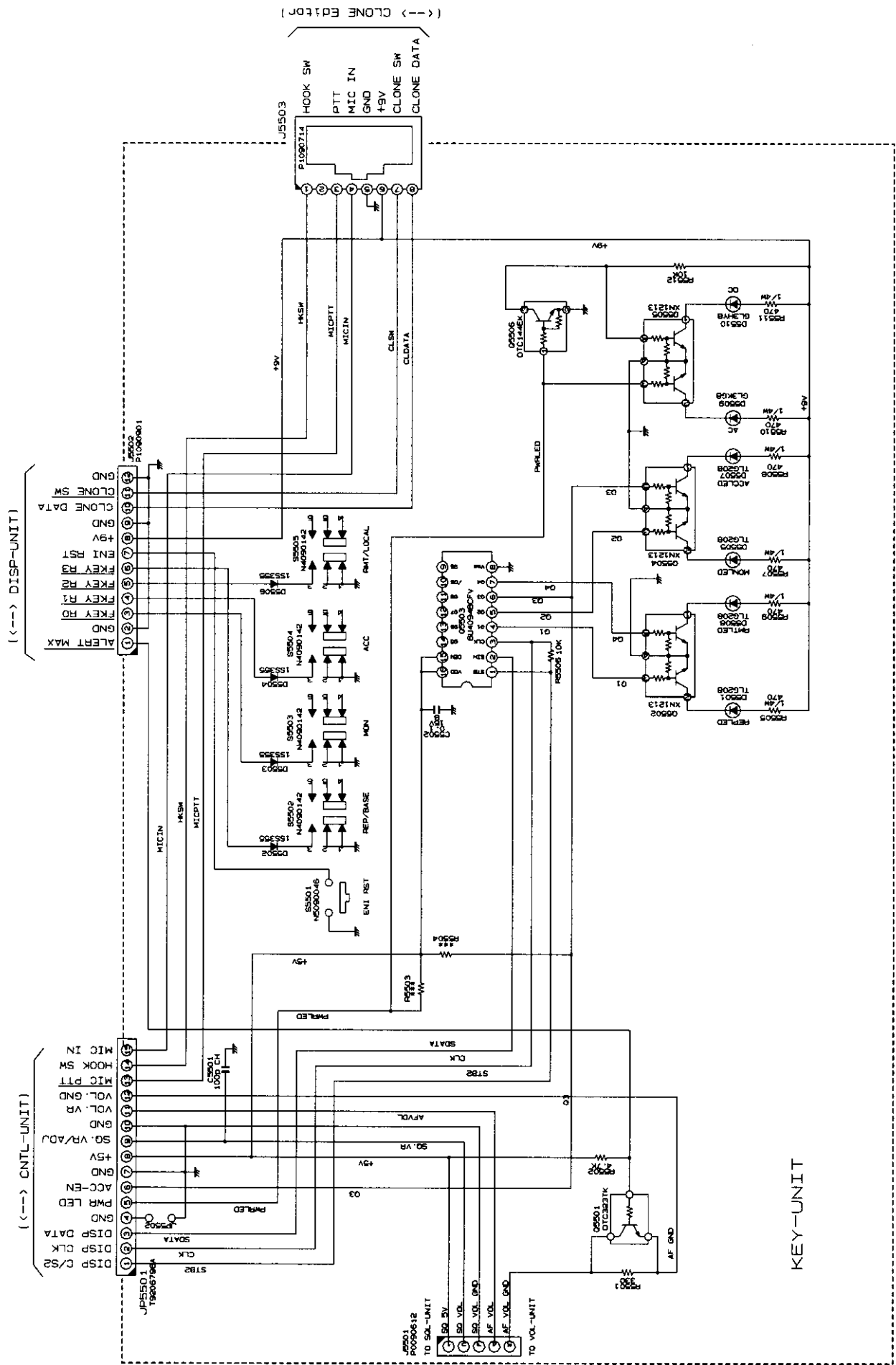
(---) DNL-UNIT



CIRCUIT DIAGRAM MODEL VXR-7000
 DES. B-11370000/DISPLAY-UNIT EDITION 011
 REF. BP03950A.037/001.SHX
 DATE 27 JAN. 1979
 YAESU MUSEN CO. DATE 10 JAN. 1999
 YAESU1 1999.07.09 09:55

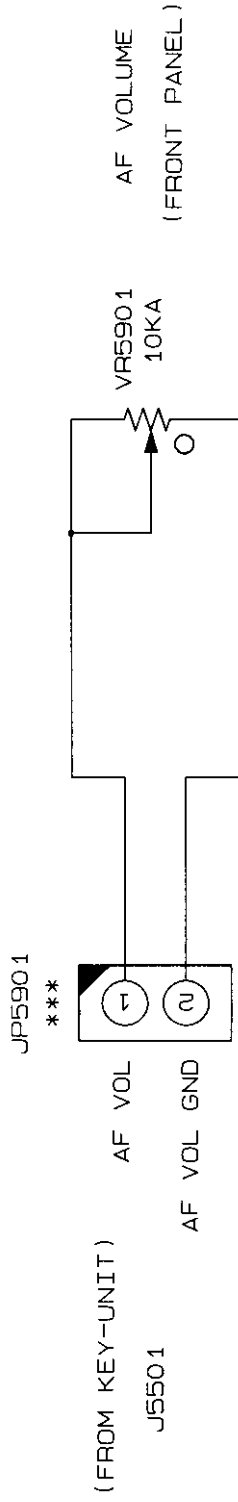
NOTE: ALL VALUES ARE IN OHMS UNLESS OTHERWISE SPECIFIED.
 OPERATOR VALUES ARE IN P.P.S. UNLESS OTHERWISE SPECIFIED.

DISPLAY-UNIT



CIRCUIT DIAGRAM MODEL YXR-7000
 DES. B-A13670000/KEY-UNIT EDITION 011
 REF. BP005540A.cir/001.sht
 DATE 27 JAN. 1999 UPDATE 10 JUN. 1999
 YAESU MUSEN CO., LTD
 yaesu1 1999.07.09 09:41

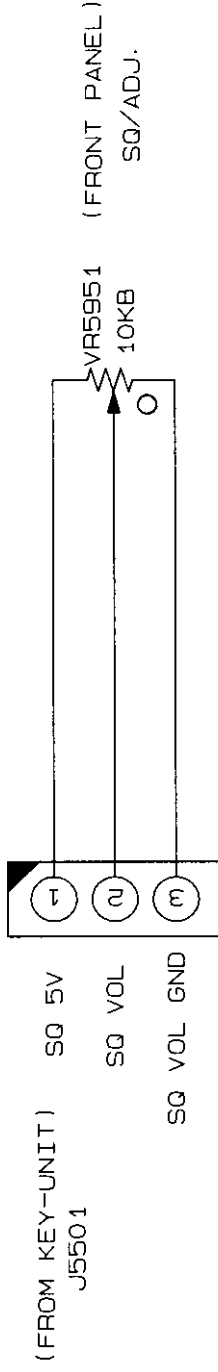
VR-UNIT



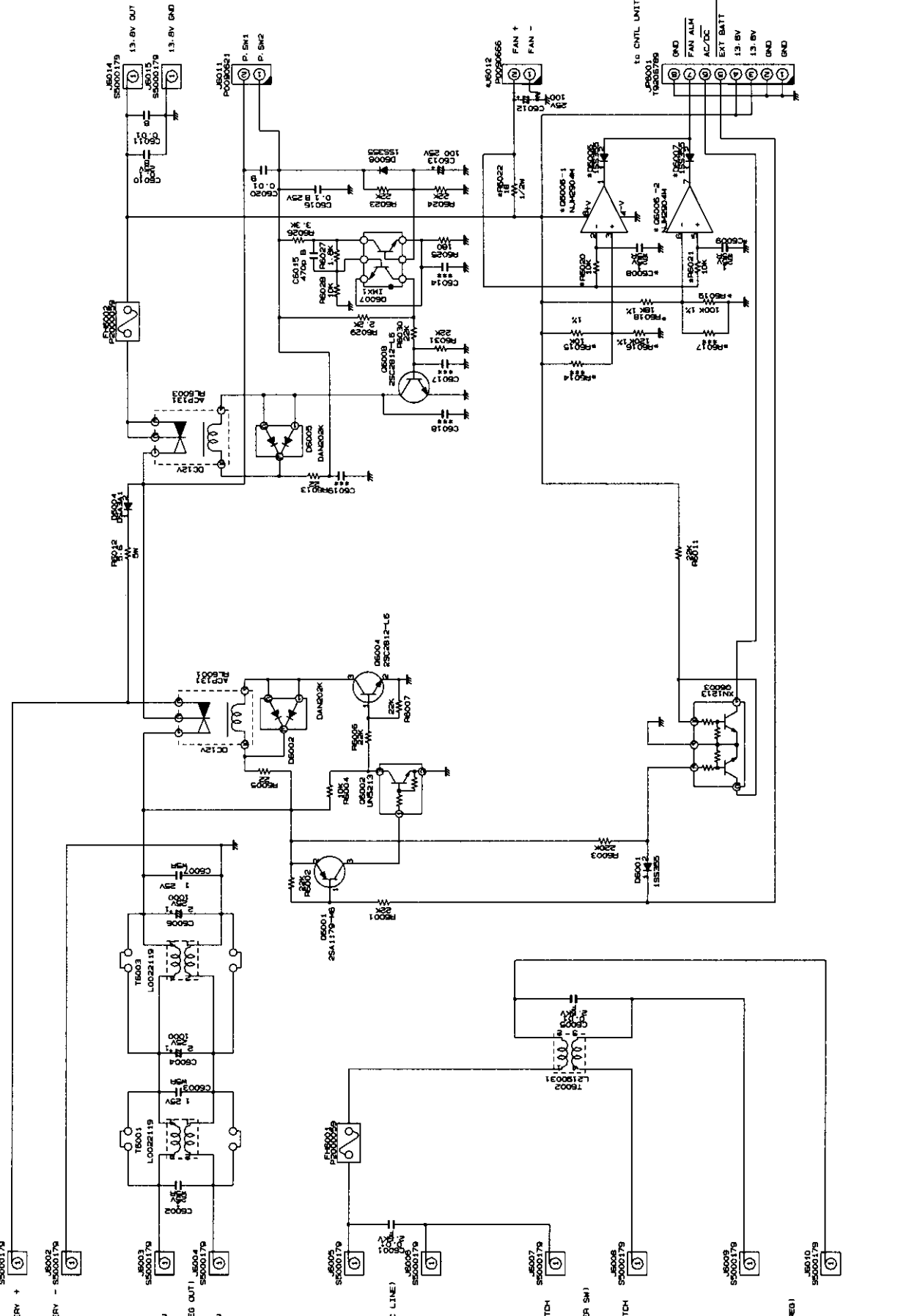
CIRCUIT DIAGRAM	MODEL VXR-7000
DES. B-A13670000/VR-UNIT	
REF. BP0055500C.cir/001.sht	EDITION
DATE 11 MAR.. 1999	UPDATE 11 MAY.. 1999
YAESU MUSEN CO.,LTD	

SQL-UNIT

JP5951
T9206798A

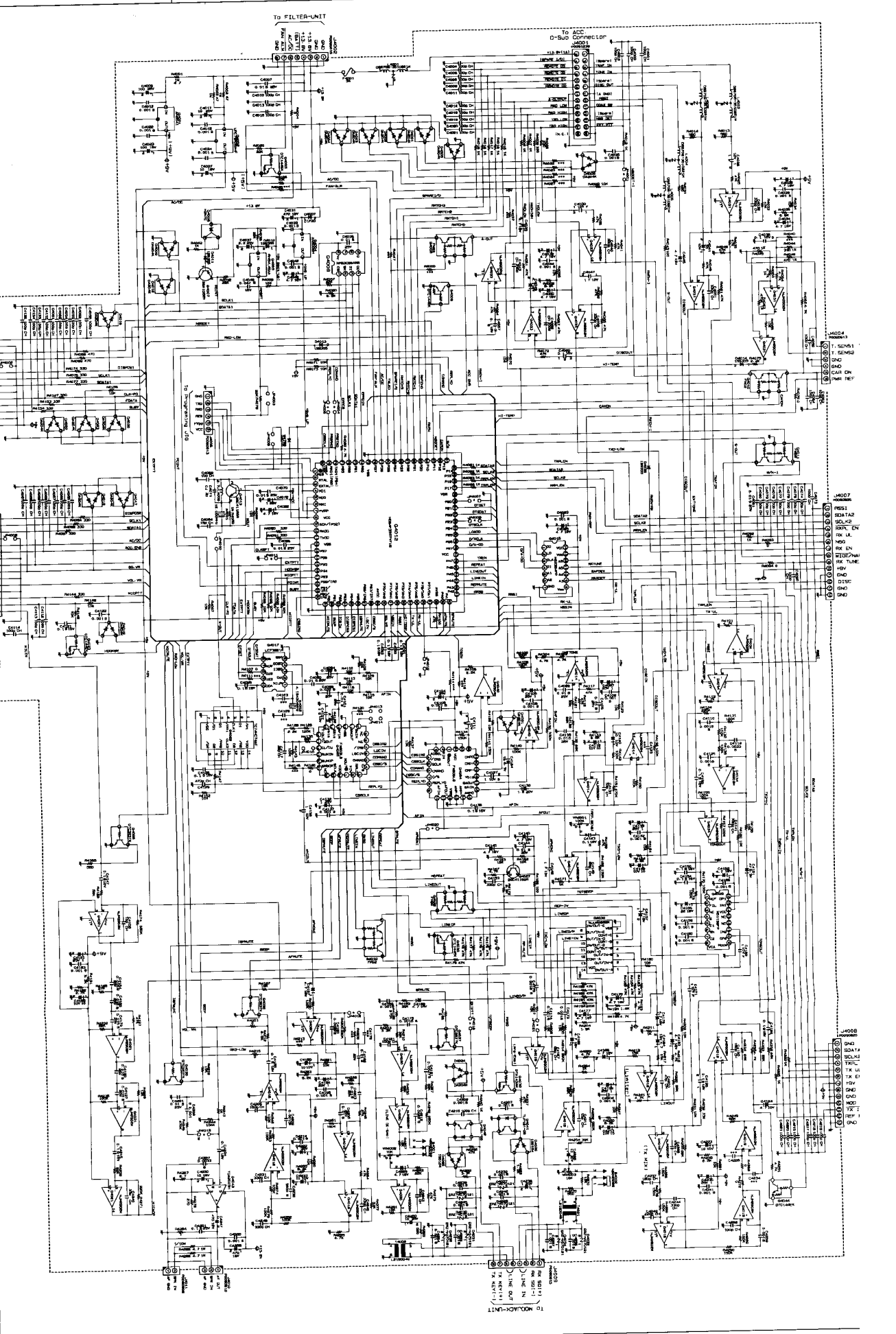


CIRCUIT DIAGRAM	MODEL VXR-7000
DES. B-A1367000/SQL-UNIT	
REF. BP0055600C.cir/001.sht	EDITION 011
DATE 17 MAR. 1999	UPDATE 10 JUN. 1999
YAESU MUSEN CO., LTD	



CIRCUIT DIAGRAM MODEL VXR-7000
 DES. B-A13670000/FILTER-UNIT
 REF. BP003920A.cir/001.sht EDITION
 DATE 17 DEC..1998 UPDATE 29 JUN..1999
 YAESU MUSEN CO.,LTD

REV. 01.00.0001
 DATE 01/10/77
 BY J. W. B. / J. W. B.
 CHECKED BY J. W. B. / J. W. B.
 APPROVED BY J. W. B. / J. W. B.
 TITLE: [Illegible]

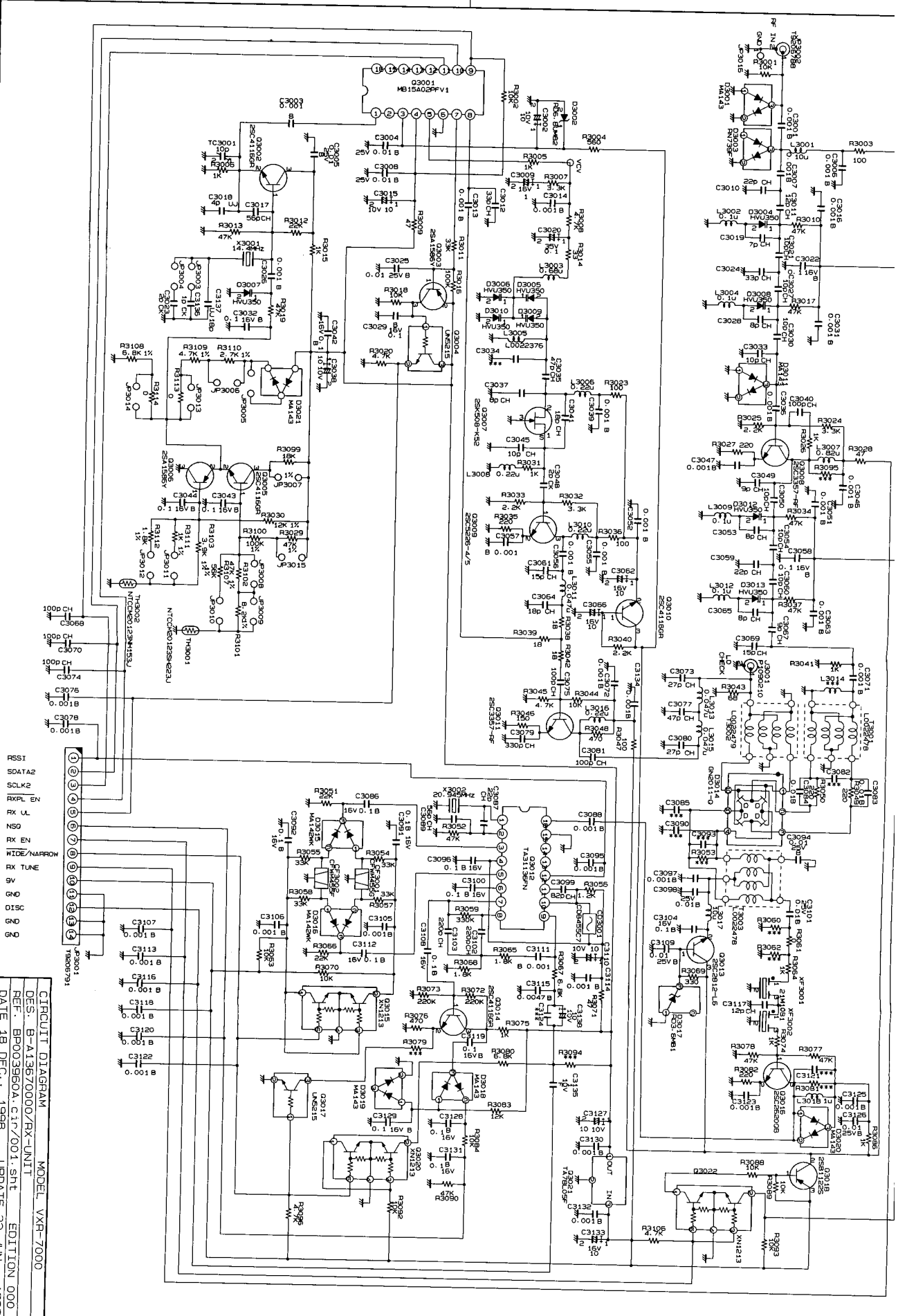


A001
 A002
 A003
 A004
 A005
 A006
 A007
 A008
 A009
 A010
 A011
 A012
 A013
 A014
 A015
 A016
 A017
 A018
 A019
 A020

A001
 A002
 A003
 A004
 A005
 A006
 A007
 A008
 A009
 A010
 A011
 A012
 A013
 A014
 A015
 A016
 A017
 A018
 A019
 A020

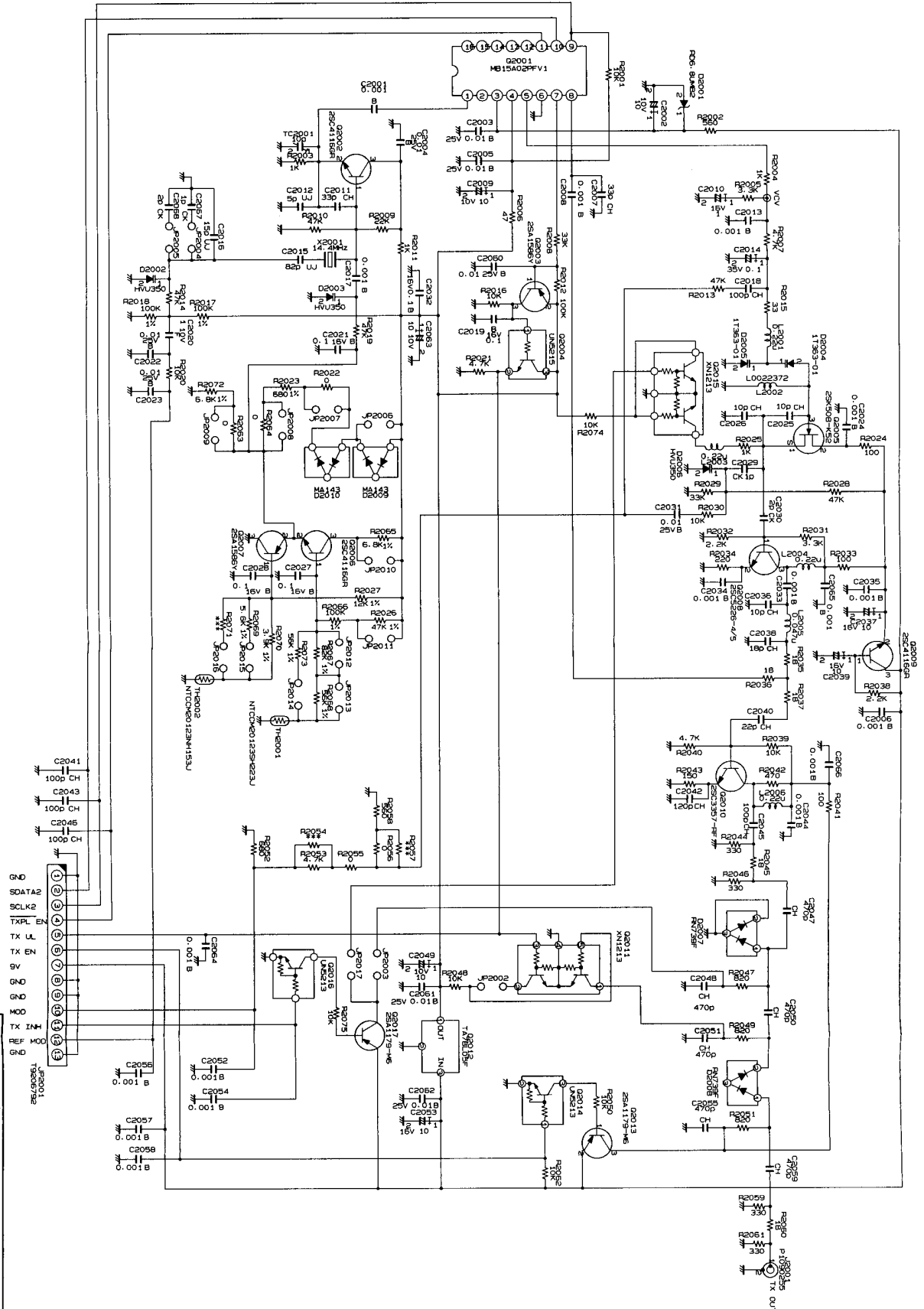
A001
 A002
 A003
 A004
 A005
 A006
 A007
 A008
 A009
 A010
 A011
 A012
 A013
 A014
 A015
 A016
 A017
 A018
 A019
 A020

TO MOD-ACR UNIT
 A001
 A002
 A003
 A004
 A005
 A006
 A007
 A008
 A009
 A010
 A011
 A012
 A013
 A014
 A015
 A016
 A017
 A018
 A019
 A020



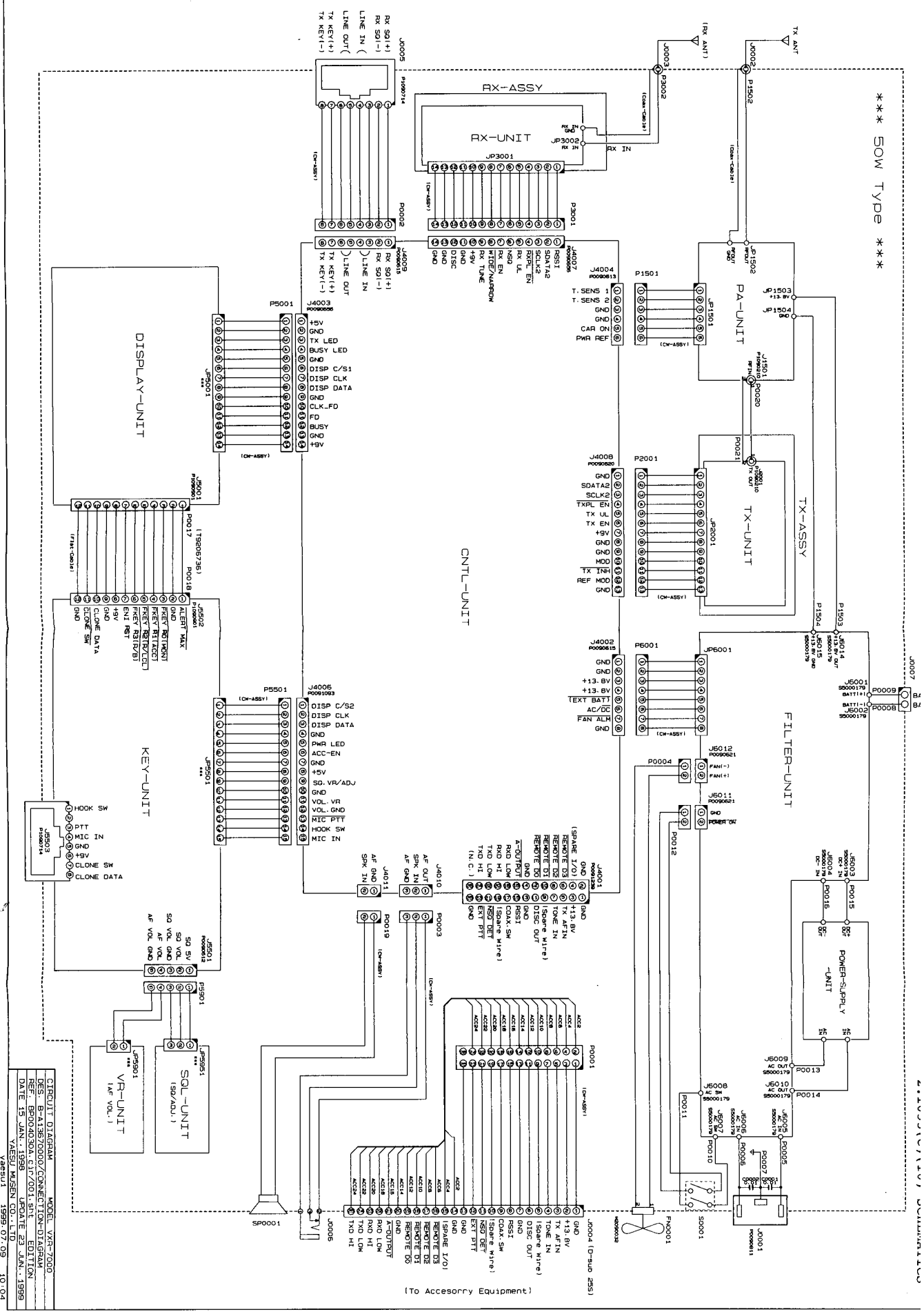
- 1 SS1
- 2 S01A2
- 3 SCLK2
- 4 RXPL EN
- 5 RX L
- 6 NS0
- 7 RX EN
- 8 WIDE/NARROW
- 9 RX TUNE
- 10 9V
- 11 9V
- 12 D13C
- 13 9V
- 14 9V
- 15 9V
- 16 9V
- 17 9V
- 18 9V
- 19 9V
- 20 9V
- 21 9V
- 22 9V
- 23 9V
- 24 9V
- 25 9V
- 26 9V
- 27 9V
- 28 9V
- 29 9V
- 30 9V
- 31 9V
- 32 9V
- 33 9V
- 34 9V
- 35 9V
- 36 9V
- 37 9V
- 38 9V
- 39 9V
- 40 9V
- 41 9V
- 42 9V
- 43 9V
- 44 9V
- 45 9V
- 46 9V
- 47 9V
- 48 9V
- 49 9V
- 50 9V
- 51 9V
- 52 9V
- 53 9V
- 54 9V
- 55 9V
- 56 9V
- 57 9V
- 58 9V
- 59 9V
- 60 9V
- 61 9V
- 62 9V
- 63 9V
- 64 9V
- 65 9V
- 66 9V
- 67 9V
- 68 9V
- 69 9V
- 70 9V
- 71 9V
- 72 9V
- 73 9V
- 74 9V
- 75 9V
- 76 9V
- 77 9V
- 78 9V
- 79 9V
- 80 9V
- 81 9V
- 82 9V
- 83 9V
- 84 9V
- 85 9V
- 86 9V
- 87 9V
- 88 9V
- 89 9V
- 90 9V
- 91 9V
- 92 9V
- 93 9V
- 94 9V
- 95 9V
- 96 9V
- 97 9V
- 98 9V
- 99 9V
- 100 9V

CIRCUI T DIAGRAM MODEL VXR-7000
 DES. B-A13670000/RX-UNIT
 REF. BP003960A.cir/001.sht EDITION 000
 DATE 18 DEC.. 1998 UPDATE 22 JUN.. 1999
 YAESU MOSEN CO., LTD
 yaesu1 1999.07.09 10:13



CIRCUIT DIAGRAM MODEL VXR-7000
 DES. B-A1367/0000/TX-JUNIT
 REF. BP003940A.cir/001.sht EDITION 000
 DATE 26 OCT.. 1998 UPDATE 22 JUN.. 1999
 YAESU MUSEN CO., LTD
 yaesu 1999.07.09 10:11

*** SOW Type ***



[To Accessory Equipment]

CIRCUIT DIAGRAM
 DES: B-A1387000/CONNECTION-DIAGRAM
 REF: B-0403000/SCHEMATIC-DIAGRAM
 DATE: 13 JAN 1999
 YASUJI MUSEN CO., LTD
 Yaeuui 1999-07-09 10-04