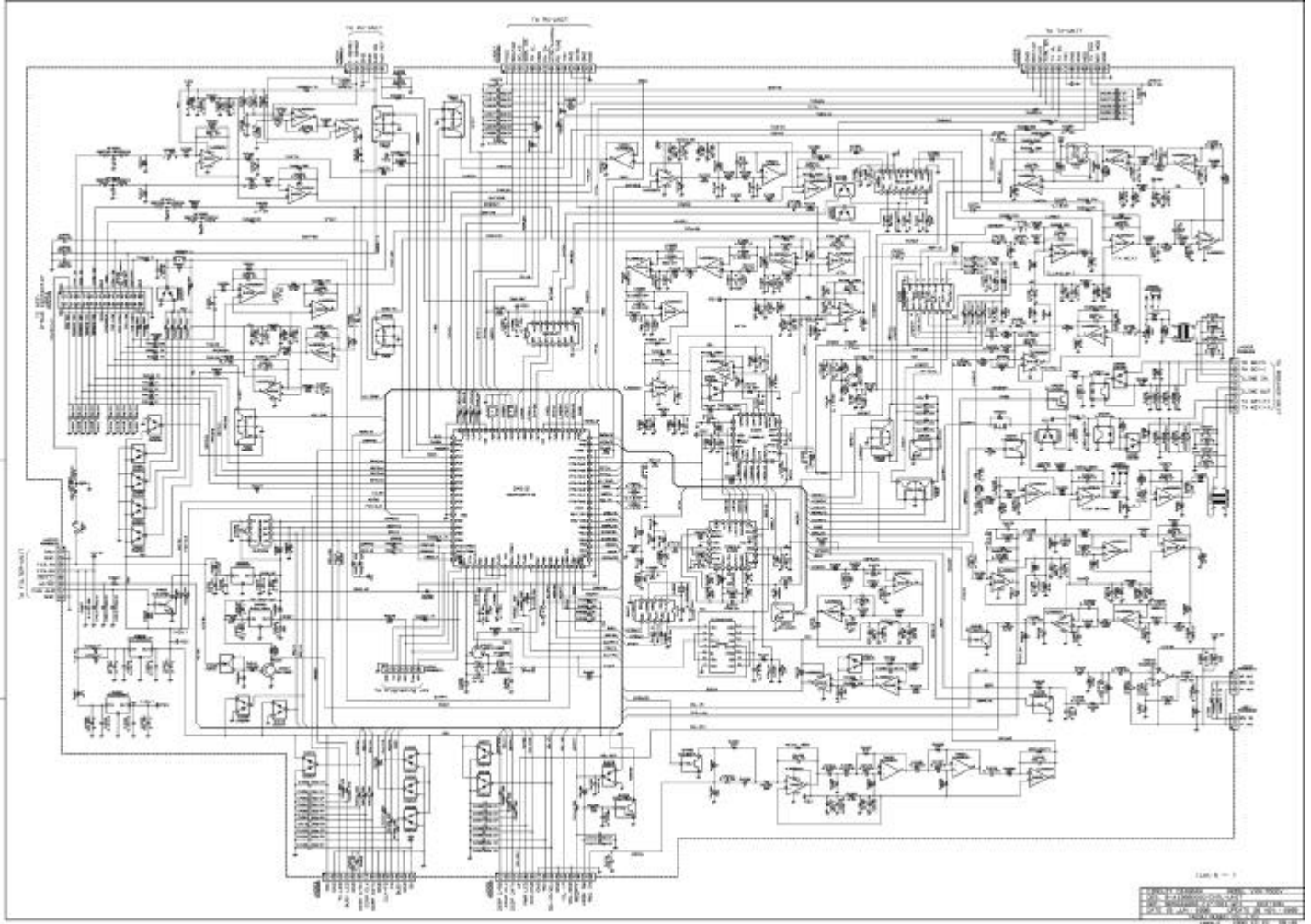
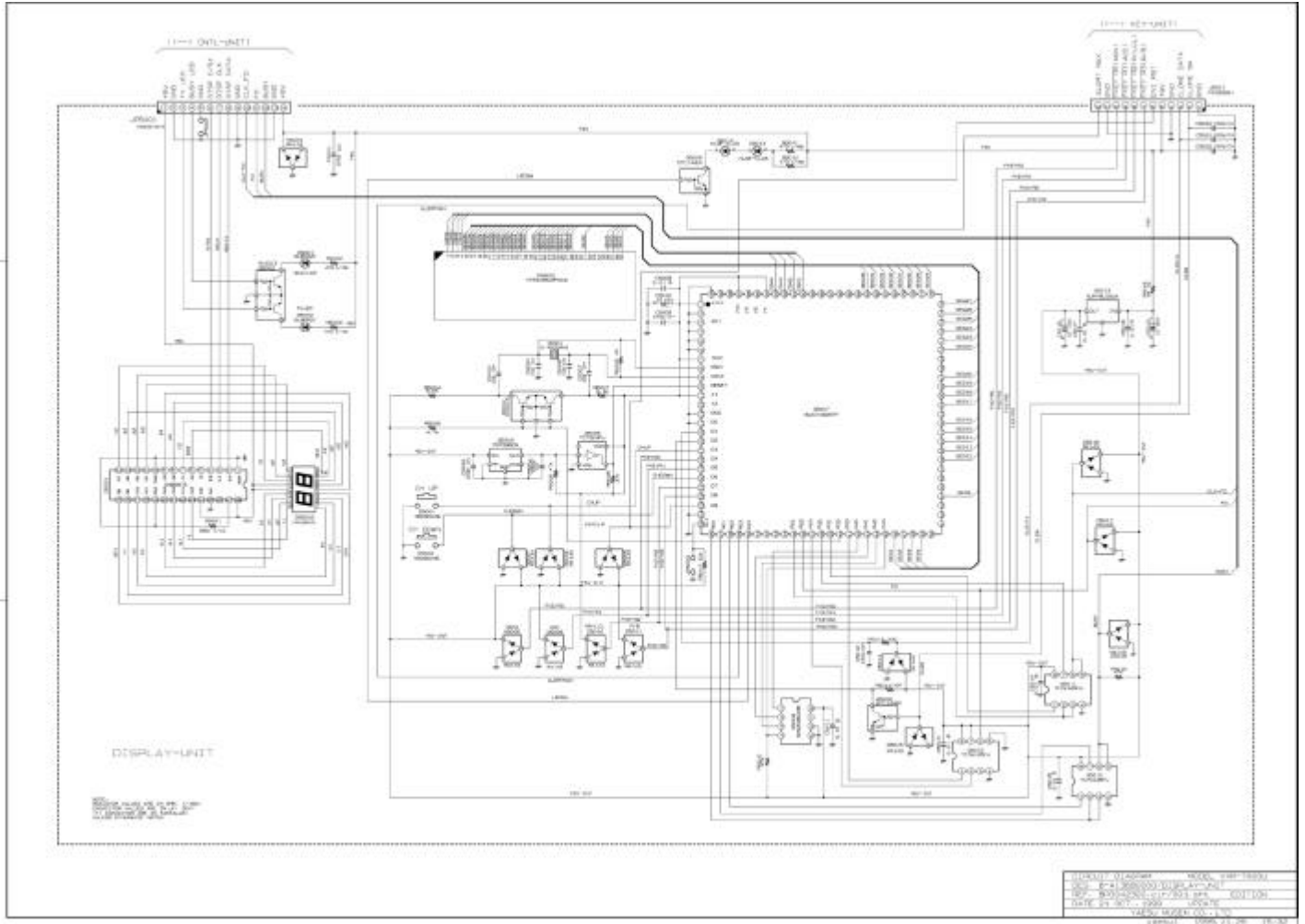


YAESU MUSEN Co., LTD K66VXR-7000U

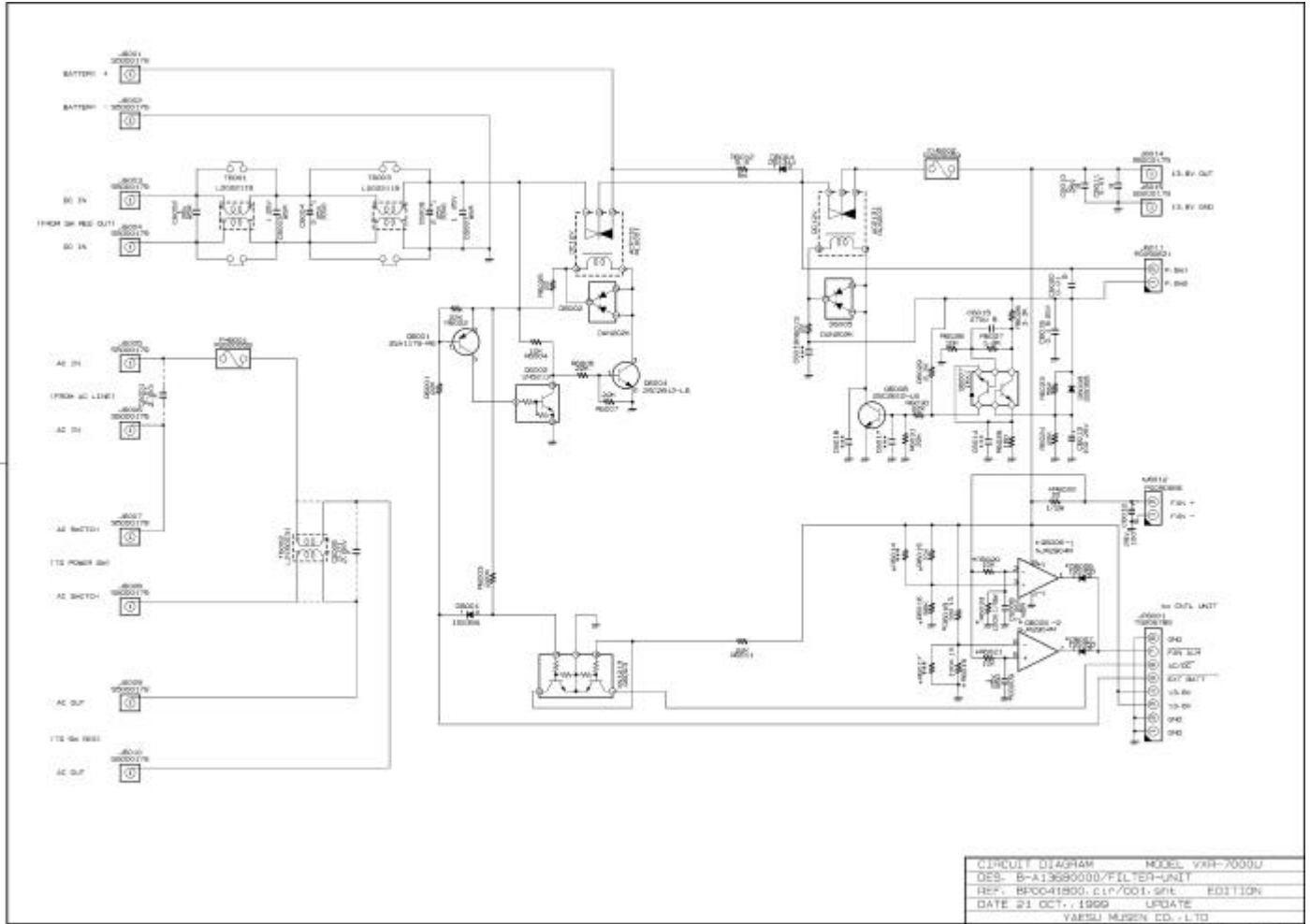




# YAESU MUSEN Co., LTD K66VXR-7000U

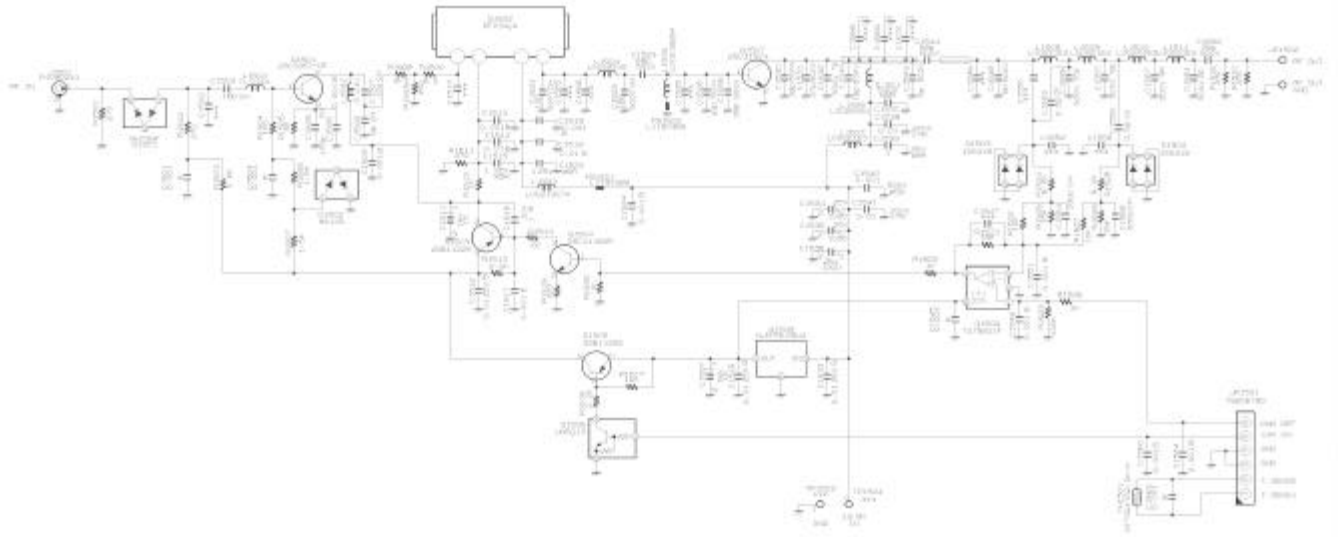


# YAESU MUSEN Co., LTD K66VXR-7000U



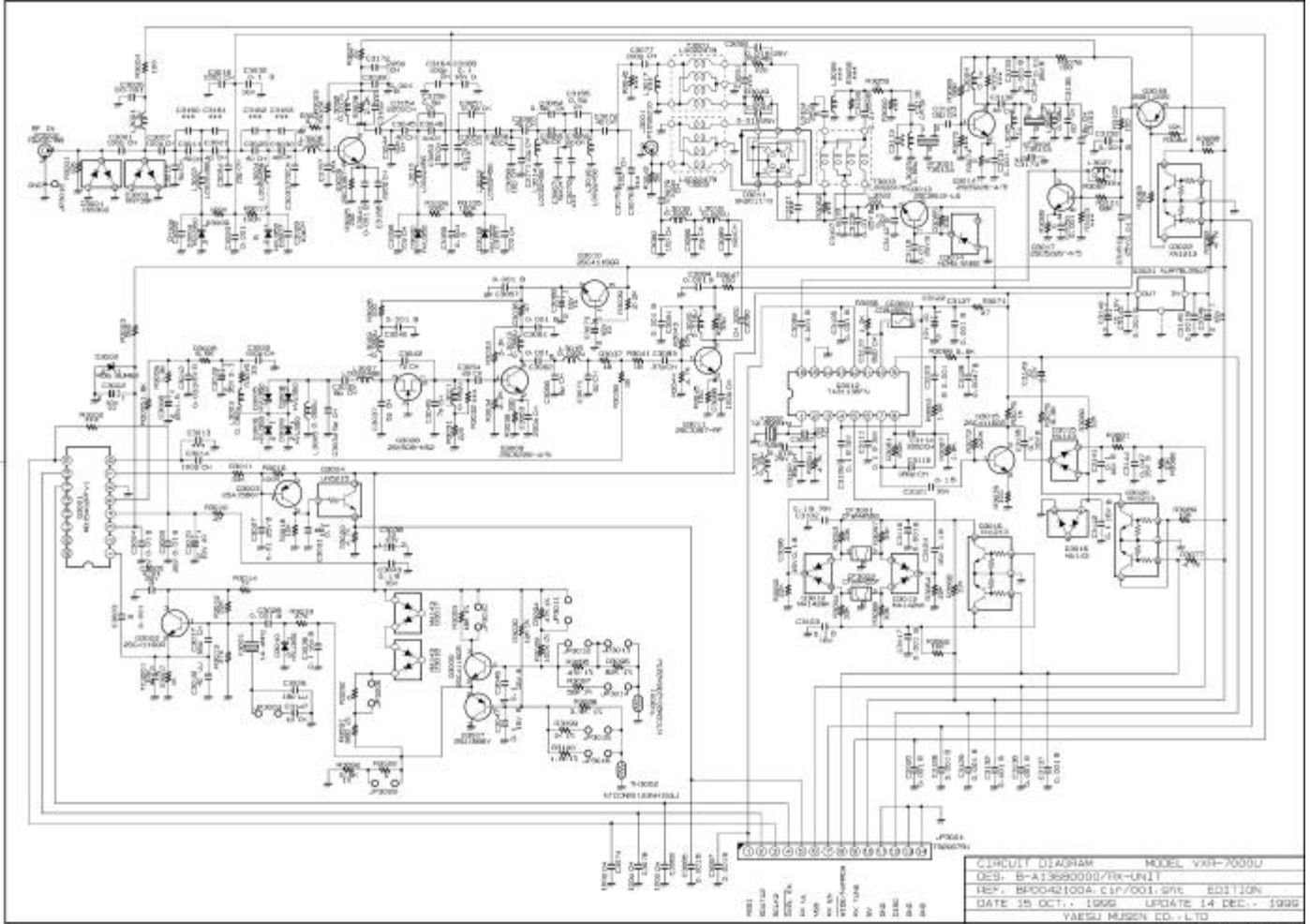


# YAESU MUSEN Co., LTD K66VXR-7000U



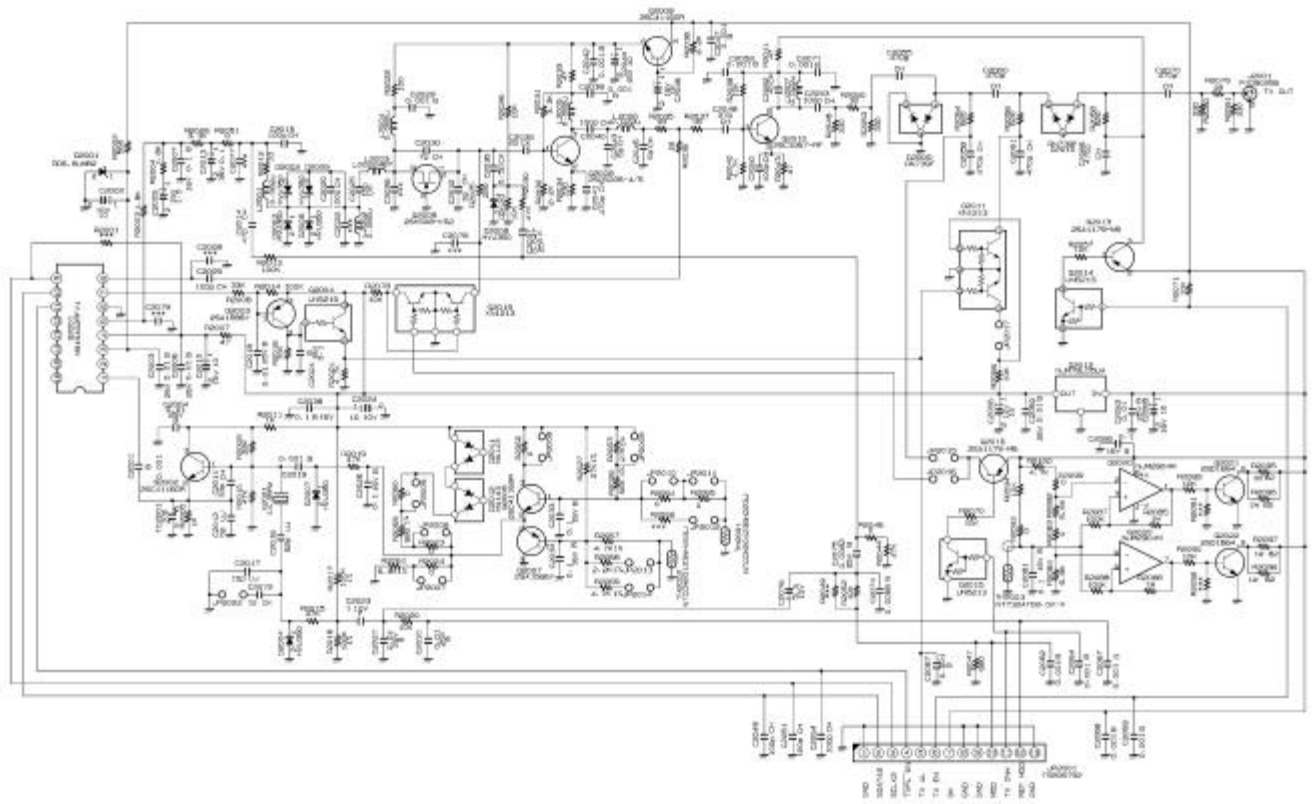
CIRCUIT DIAGRAM	MODEL VXR-7000U
DES. B-AL360000, VA-UN1	
DEPT. R500415000A, C/P/101, 2/F	ED1110F1
DATE 15 OCT. 1999	UPDATE 14 DEC. 1999
YAESU MUSEN CO., LTD.	
JAPAN	

# YAESU MUSEN Co., LTD K66VXR-7000U



MODEL K66VXR SERIAL No. DATE REV. NO. DATE BY CHK. APP.	CIRCUIT DIAGRAM DES. B-A13690000/70K-UNIT REP. BPO042100A, C1P/001, S/R DATE 15 OCT., 1995 YAESU MUSEN CO., LTD	MODEL VXR-7000U EDITION UPDATE 14 DEC., 1995 YAESU MUSEN CO., LTD
---	---	---

YAESU MUSEN Co., LTD K66VXR-7000U



CIRCUIT DIAGRAM	MODEL VXR-7000U
DES. B-A13690000/TX-UNIT	
REP. BPO040000A.C1P/001.S/1	EDITION
DATE 15 OCT. 1995	UPDATE 14 DEC. 1995
YAESU MUSEN CO.,LTD	
yasu01 1995.12.15 09:50	