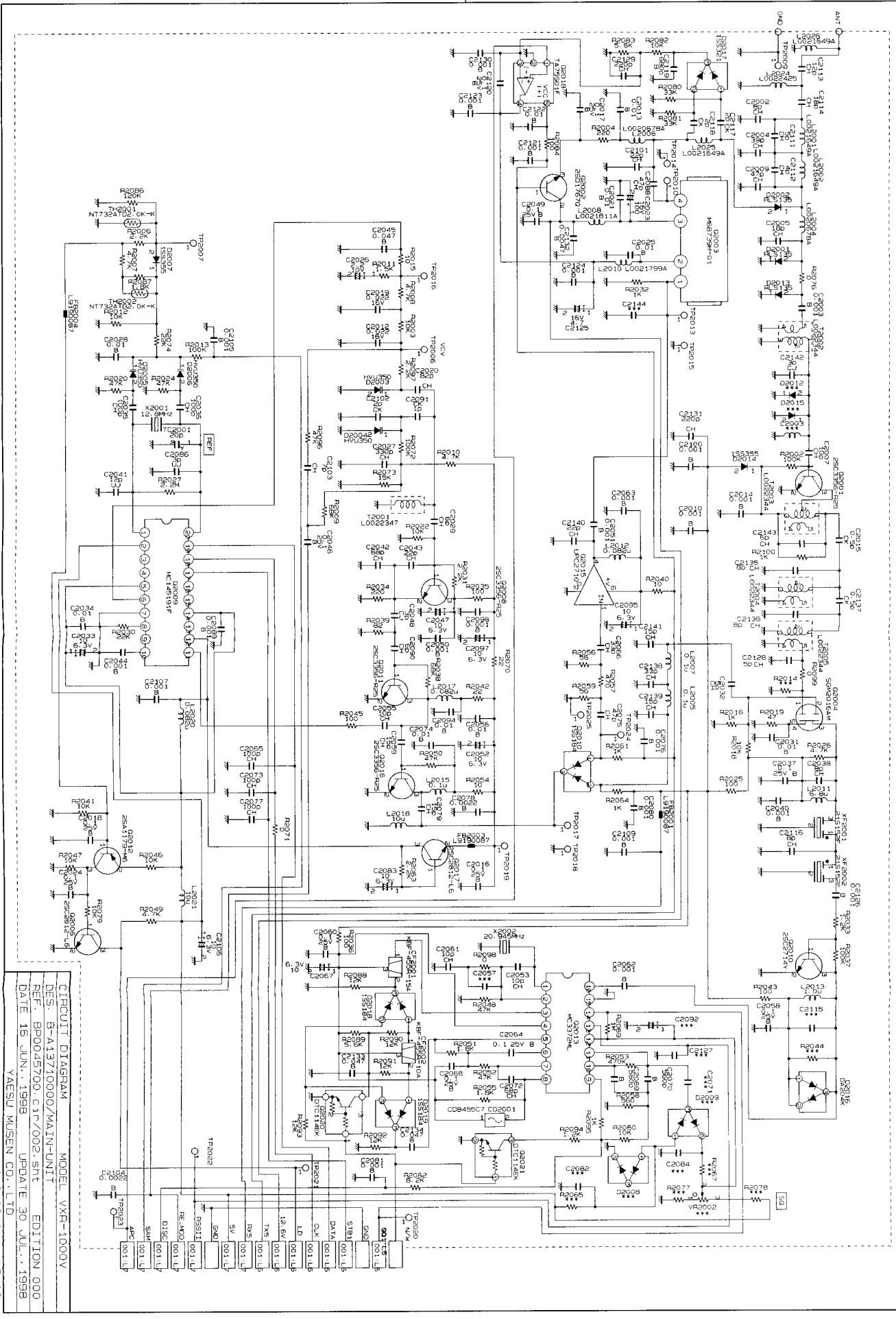


CIRCUIT DIAGRAM MODEL: VHS-100V
 DES: B-A1371000/MAIN-UNIT
 REF: B-P0045700-CH/001-SMT EDITION: 000
 DATE: 21 JAN. 1998 UPDATE: 29 JUL. 1998
 YAESU WSEN CO., LTD.
 YAESUJ 1998.08.01 15/33



CIRCUIT DIAGRAM MODEL VXR-1000V
 DES. B-A13710000/MAIN-UNIT EDITION 000
 REF. BP0045700.cir/002.snt UPDATE 30 JUL..1998
 DATE 16 JUN..1998
 YAESU MUSEN CO.,LTD
 yaesu1 1998.08.01 15:23