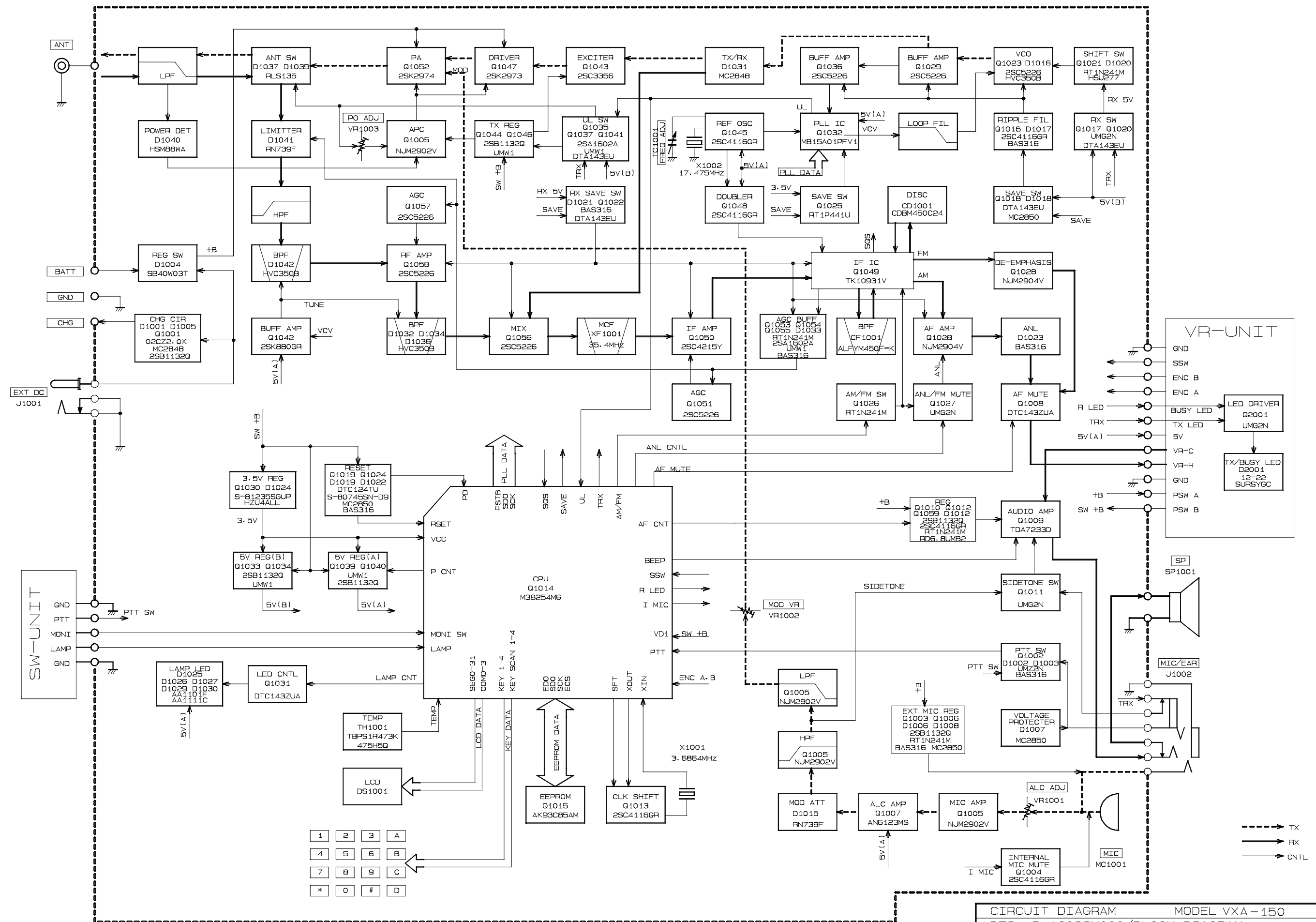


BLOCK-DIAGRAM



CIRCUIT DIAGRAM MODEL VXA-150
 DES. B-AC036N000/BLOCK-DIAGRAM
 REF. BP0181200.cir/001.sht EDITION
 DATE 03 AUG., 2001 UPDATE
 VERTEX STANDARD CO., LTD.