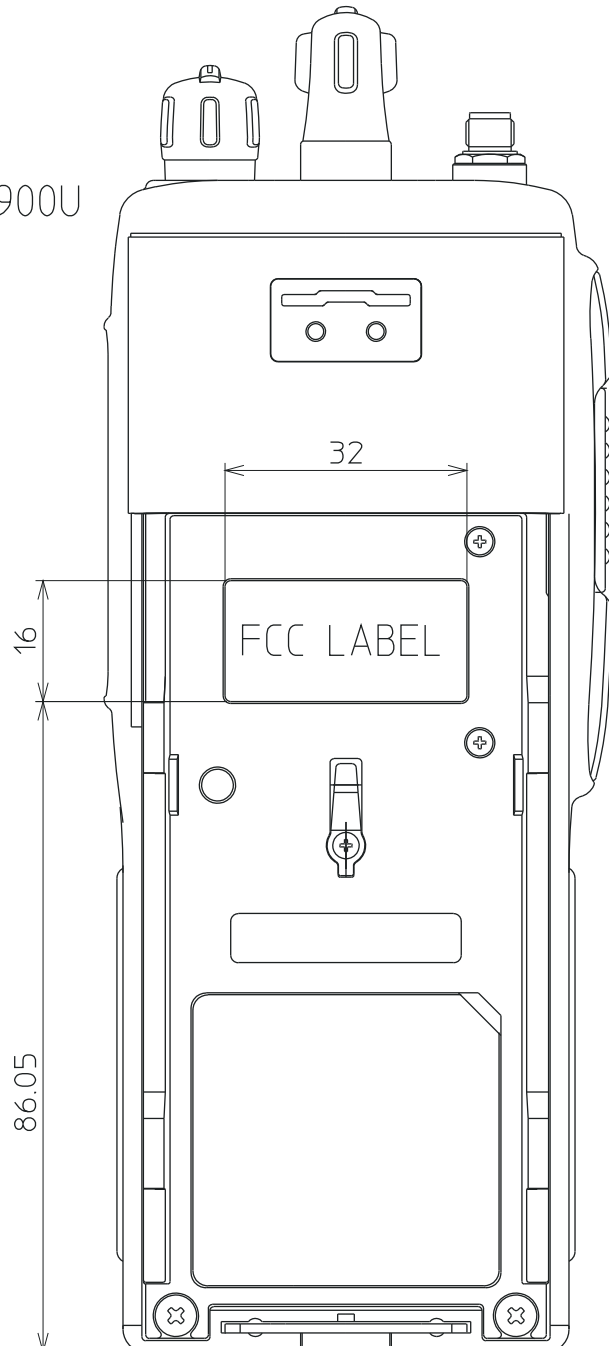


FCC Operational Requirement

This device complies with 15 of the FCC Rules.
 Operation is subject to condition that
 this device does not cause harmful interference.

VERTEX STANDARD VX-600U/900U
 FCC LABEL POSITION

REAR SIDE PANEL



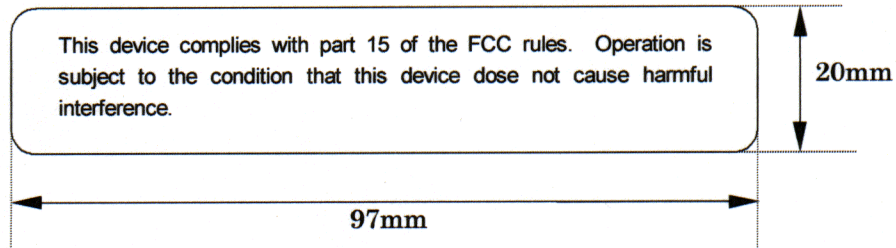
October 26th, 2000

Federal Communications Commission
Authorization and Evaluation Division,
7435 Oakland Mills Road
Columbia, MD 21045
USA

Re: VX900U / VX-600U (FCC ID: K66VX-900U)

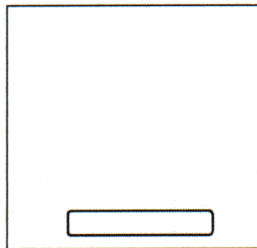
Gentlemen:

A. Part 15 · 19 & 15 · 21 Compliance Statement Drawing:



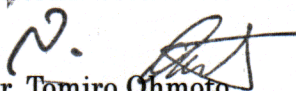
B. Part 15 · 19 & 15 · 21 Compliance Statement Drawing Location:

IN OPERATION MANUAL (location on inside back cover)



Sincerely,

VERTEX STANDARD CO., LTD.



Mr. Tomiro Ohmoto
General Manager of Export Department