



360 Herndon Parkway
Suite 1400
Herndon, VA 20170
<http://www.rheintech.com>

20 BILL OF MATERIALS (PARTS LIST)

Please see the following page

Alignment

Introduction

The VX-900 is carefully aligned at the factory for the specified performance across the frequency range specified for each version. Realignment should therefore not be necessary except in the event of a component failure, or when altering the version type. All component replacement and service should be performed only by an authorized VERTEX STANDARD representative, or the warranty policy may be voided.

The following procedures cover the sometimes critical and tedious adjustments that are not normally required once the transceiver has left the factory. However, if damage occurs and some parts subsequently are placed, realignment may be required. If a sudden problem occurs during normal operation, it is likely due to component failure; realignment should not be done until after the faulty component has been replaced.

We recommend that servicing be performed only by authorized VERTEX STANDARD service technicians who are experienced with the circuitry and fully equipped for repair and alignment. Those who do undertake any of the following alignments are cautioned to proceed at their own risk. Problems caused by unauthorized attempts at realignment are not covered by the warranty policy. Also, VERTEX STANDARD reserves the right to change circuits and alignment procedures, in the interest of improved performance, without notifying owners.

Under no circumstances should any alignment be attempted unless the normal function and operation of the transceiver are clearly understood, the cause of the malfunction has been clearly pinpointed and any faulty components replaced, and realignment determined to be absolutely necessary.

Do not attempt to perform only a single step unless it is clearly isolated electrically from all other steps. Have all test equipment ready before beginning, and follow all of the steps in a section in the order presented.

The following test equipment (and thorough familiarity with its correct use) is necessary for complete realignment. Correction of problems caused by misalignment resulting from use of improper test equipment is not covered under the warranty policy. While most steps do not require all of the equipment listed, the interactions of some adjustments may require that more complex adjustments be performed afterwards.

Required Test Equipment

- RF Signal Generator with calibrated output level at 600 MHz
- Deviation Meter (linear detector)
- In-line Wattmeter with 5% accuracy at 600 MHz

- 50-Ohm RF Dummy Load with power rating 10W at 600 MHz
 - 16-Ohm AF Dummy Load
- (Attention : Audio output is BTL output; do not short "shield" to ground!)
- Regulated DC Power Supply (standard 7.5V DC, 3A)
 - Frequency Counter with 0.2 ppm accuracy at 600 MHz
 - AC Voltmeter
 - DC Voltmeter
 - UHF Sampling Coupler
 - IBM PC / compatible Computer with Microsoft DOS v3.0 or later operating system
 - Vertex Standard CT-71 Connection Cable and SVC39 Alignment program

Alignment Preparation and Precautions

A 50-Ohm RF Dummy Load and in-line wattmeter must be connected to the main antenna jack in all procedures that call for transmission, except where specified otherwise. Correct alignment is not possible with an antenna.

After completing one step, read the following step to determine whether the same test equipment will be required. If not, remove the test equipment (except dummy load and wattmeter, in connected) before proceeding.

Correct alignment requires that the ambient temperature be the same as that of the transceiver and test equipment, and that this temperature be held constant between 20° and 30°C (68° ~ 86°F). When the transceiver is brought into the shop from hot or cold air, it should be allowed time to come to room temperature before alignment.

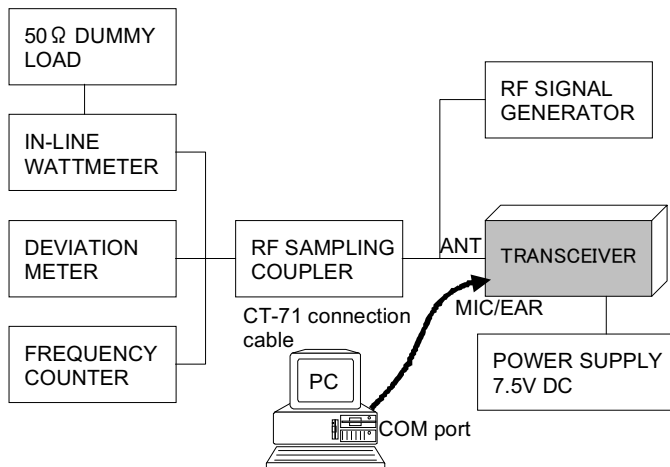
Whenever possible, alignments should be made with oscillator shields and circuit boards firmly affixed in place. Also, the test equipment must be thoroughly warmed up before beginning.

Note: Signal levels in dB referred to in the alignment procedure are based on 0 dBμ EMF = 0.5 μV (closed circuit).

Important Note

When connecting the CT-71 plug into the MIC/SP jack of the VX-900, you must remove the plastic cap and its mounting screws prior to programming. Please remember to re-attach the cap and screws when the programming is complete.

Set up the test equipment as shown for transceiver alignment, and apply 7.5V DC power to the transceiver.



The transceiver must be programmed for use in the intended system before alignment is attempted. The RF parameters are loaded from the file during the alignment process. In order to facilitate alignment over the complete operating range of the equipment, it is recommended that the channel data in the transceiver be preset as per the chart below.

Channels	Frequency (Simplex)
Band-LOW	400.000 MHz
Band-MID	415.000 MHz
Band-HIGH	430.000 MHz

The alignment tool outline

Installation of the Alignment Tool

The "alignment mode" is a software-based protocol, accessed by an "Alignment Mode" command from the computer while switching the transceiver on. It is operated by the alignment tool automatically. During use of the alignment mode, normal operation is suspended. The alignment tool program provides all needed operation capability.

The alignment tool consists of an executable file "SVC39.exe" and an accompanying configuration file "SVC39.cfg" which should be loaded per standard DOS procedures. Create a suitable directory, then copy these files from the distribution diskette into the new directory. For example, if copying the file from Drive A, use the following DOS command sequence:

```
c:\> mkdir align900 [enter]
c:\> cd align900 [enter]
```

c:\align900\ copy a:SVC39.*

No further installation steps are required. If you wish to utilize a different name for the alignment directory, it will not matter to the executable file.

Booting the Alignment Tool

Change to the "Align900" directory (or the directory name you utilized in the previous section). Now type on the command line: SVC39 [ENTER] to boot the alignment tool.

Entering the Alignment Mode

To enter the alignment mode, turn the transceiver off, then press [0] on the computer keyboard. Now, turn the transceiver back on. When the command has been successful, a message on the computer screen will confirm that the transceiver is now in the "Alignment" mode.

Action of the Switches

When the transceiver is in alignment mode, the [PTT], [MON], and [DIAL] switches, as well as the Dial, are disabled. In the Alignment mode, all of the transceiver's operation is remotely controlled by the PC.

Alignment Sequence

Although the data displayed on the computer's screen during alignment is temporary data, it is important that you follow the basic alignment sequence precisely, so that the displayed data and the data loaded into the transceiver are identical.

Basic Alignment Sequence

1. Enter the alignment mode
2. Upload data from transceiver
3. Align data
4. Download data to transceiver

Alignment Tool Menu

Common Data

The parameters in this section represent "common" data for all channels. Once these "Common Data" parameters are correctly aligned, the "Tx Power," "Max Dev," and "Sub Audio Dev," can be trimmed for each channel, if needed.

During alignment, each parameter is adjusted for a higher or lower value via the

computer's [▲] and [▼] keys. When the desired value is reached, type [ENTER] to lock in the new value.

(0) Common Tx :

The first alignment section adjusts transmit-mode parameters which are common to all channels.

- [0] Frequency

This parameter is used to adjust the PLL reference frequency. From the "(0) Common Tx" section, press [0] to activate this alignment sequence.

- Press the [space] key on the keyboard to activate the transmitter.
- Press the [▲] or [▼] key, as needed, so the counter frequency is within 100 Hz of the channel center frequency for the MID channel.
- When the precise frequency is attained, press [ENTER] to lock in the new data.
- Now verify that the HIGH and LOW channels are also within tolerance.

- [1] High

This parameter is used to align Tx High power (5W). From the "(0) Common Tx" section, press [1] to activate this alignment sequence.

- Use the [◀] or [▶] key to select the "MID" frequency channel in the alignment range.
- Press the [space] key on the keyboard to activate the transmitter.
- Press the [▲] or [▼] key, as needed, to set the power output to 5 Watts, as indicated on the external wattmeter.
- When the 5 Watt level is attained, press [ENTER] to lock in the new data.

- [2] L1

This parameter aligns the L1 power (0.25 W) level. From the "(0) Common Tx" section, press [2] to activate this alignment sequence.

- Press the [space] key on the keyboard to activate the transmitter.
- Press the [▲] or [▼] key, as needed, to set the power output to 0.25 W, as indicated on the external wattmeter.
- When the 0.25 W level is attained, press [ENTER] to lock in the new data.

- [3] L2

This parameter aligns the L2 power (1 W) level. From the "(0) Common Tx" section,

press [3] to activate this alignment sequence.

- Press the [space] key on the keyboard to activate the transmitter.
- Press the [▲] or [▼] key, as needed, to set the power output to 1 Watt, as indicated on the external wattmeter.
- When the 1 Watt level is attained, press [ENTER] to lock in the new data.

- [4] L3

This parameter aligns the L3 power (2.5 W) level. From the "(0) Common Tx" section, press [4] to activate this alignment sequence.

- Press the [space] key on the keyboard to activate the transmitter.
- Press the [▲] or [▼] key, as needed, to set the power output to 2.5 W, as indicated on the external wattmeter.
- When the 2.5 W level is attained, press [ENTER] to lock in the new data.

- [5] Maximum Deviation

This section adjusts the transmitter's voice deviation level. From the "(0) Common Tx" section, select [5] to enter this alignment sequence.

- Use the [◀] or [▶] key to select the "MID" frequency channel in the alignment range.
- Disable any subaudible tone signaling on this channel, if present.
- Press the [space] key on the computer keyboard to start alignment. This activates the transmitter, and injects a 1 kHz test tone.
- Press the [▲] or [▼] key, as needed, to set the deviation to the desired value (typically 3.9 ~ 4.2 kHz, or 2.0 ~ 2.3 kHz for "narrow band" channels).
- When the desired deviation level is attained, press [ENTER] to lock in the new value.

- [6] MIC Gain

This parameter is used to align MIC Gain level. From the "(0) Common Tx" section, press [6] to activate this alignment sequence.

- Use the [◀] or [▶] key to select the channel on which you wish to adjust the MIC Gain.
- Press the [space] key on the computer keyboard to start alignment. This activates the transmitter, and injects a subaudible test tone.
- Use the [▲] or [▼] key to find the desired MIC Gain level is achieved.
- Press the [ENTER] key on the computer keyboard to lock in the new MIC Gain level.

- [7] Sub Audio Deviation

This section adjusts the transmitter's subaudible tone deviation level. From the "(0) Common Tx" section, select [7] to enter this alignment sequence.

- After setting the Maximum Deviation in the previous section, it is now time to align the subaudible signaling deviation level.
- Use the [◀] or [▶] key to select the channel on which you wish to adjust the Subaudible Deviation.
- Press the [space] key on the computer keyboard to start alignment. This activates the transmitter, and injects a subaudible test tone.
- Press the [▲] or [▼] key, as needed, to set the deviation to the desired value (typically 0.6 ± 0.1 kHz, or 0.4 ± 0.1 kHz for "narrow band" channels).
- When the desired deviation level is attained, press [ENTER] to lock in the new value.

(1) Common RX :

- [0] Tight Noise Squelch

This parameter is used to align the "Tight Noise Squelch" level. From the "(1) Common Rx" section, select [0] to enter this alignment sequence.

- Set the signal generator output level to $-0\text{dB}\mu$ EMF ($0.5 \mu\text{V}$).
- Press the [ENTER] key on your computer keyboard to set the "Tight" squelch level.

- [1] Threshold Noise Squelch

This parameter is used to align the squelch threshold level. From the "(1) Common Rx" select [1] to enter this alignment sequence.

- Set the signal generator output level to $-10 \text{ dB}\mu$ EMF ($0.16 \mu\text{V}$).
- Press the [ENTER] key on your computer keyboard to set the squelch "Threshold" level.

- [2] RSSI (Received Signal Strength Indicator) Squelch

This section allows adjustment of the RSSI level. From the "(1) Common Rx" section, press [2] to enter this alignment sequence.

- Set the signal generator output level to $+3.0 \text{ dB}\mu$ EMF ($0.7 \mu\text{V}$).
- Press the [ENTER] key on the computer keyboard to set the RSSI squelch level.

- [3] Tx Save

This section allows adjustment of the Tx Save activation threshold (reducing the transmitter power in strong-signal environments). From the "(1) Common Rx" section,

press [3] to enter this alignment sequence.

- Set the Signal Generator output level to +15 dB μ EMF (2.8 μ V).
- Press the [ENTER] key on the computer keyboard to lock in the TX Battery Saver threshold level.

Channels

The following parameters may be adjusted individually for each channel. For example, minor variations in the power output across the operating band may be equalized by following this section's instructions.

(2) Channels TX :

- [0] Tx Hi Power Trim

This parameter is used to trim Tx power on the displayed channel. From the "(2) Channels Tx" section, select [0] to adjust the "Tx Hi Power Trim" setting(s).

- Use the [◀] or [▶] key to select the channel to be adjusted.
- Press the [space] key on the keyboard to activate the transmitter.
- Press the [▲] or [▼] key, as needed, to trim the power output to the power that is programmed by CE39 channel editor, as indicated on the external wattmeter.
- Press [ENTER] to lock in the new data.

- [1] Tx Low Power Trim (L1, L2 or L3)

This parameter is used to trim Tx power on the displayed channel. From the "(2) Channels Tx" section, select [1] to adjust the "Tx Low Power Trim" setting(s).

- Use the [◀] or [▶] key to select the channel to be adjusted.
- Press the [space] key on the keyboard to activate the transmitter.
- Press the [▲] or [▼] key, as needed, to trim the power output to the power that is programmed by CE39 channel editor, as indicated on the external wattmeter.
- Press [ENTER] to lock in the new data.

- [2] Maximum Deviation Trim

This parameter is to trim maximum deviation on the displayed channel. From the "(2) Channels Tx" section, select [2] to adjust the deviation level.

- Use the [◀] or [▶] key to select the channel on which you wish to adjust the deviation.
- Press the [space] key on the computer keyboard to start alignment. This activates the transmitter, and injects a 1 kHz test tone.
- Press the [▲] or [▼] key, as needed, to set the deviation to the desired value (typically

3.9~4.2 kHz, or 2.0~2.3 kHz for "narrow band" channels).

- When the desired deviation level is attained, press [ENTER] to lock in the new value.

- [3] Sub Audio Deviation Trim

This parameter used to is to trim Subaudible deviation on the displayed Sub-audio channel. From the "(2) Channels Tx" section, select [2] to adjust the Subaudible Deviation level.

- Use the [◀] or [▶] key to select the channel on which you wish to adjust the Subaudible Deviation.
- Press the [space] key on the computer keyboard to start alignment. This activates the transmitter, and injects a subaudible test tone.
- Press the [▲] or [▼] key, as needed, to set the deviation to the desired value (typically 0.6 ± 0.1 kHz, or 0.4 ± 0.1 kHz for "narrow band" channels).
- When the desired deviation level is attained, press [ENTER] to lock in the new value.

(3) Channels Rx :

- [0] Manual Tuning

This parameter is used to tune the RF front-end components for the current channel manually. From the "(3) Channels Rx" section, select [0] to peak the receiver performance.

- Use the [◀] or [▶] key to select the channel on which you wish to adjust the front end alignment.
- Connect the signal generator to the Antenna jack, and set its level to +20 dB μ EMF (5 μ V).
- Press [ENTER] to lock in the new data.

(4) Other :

- [0] Battery Warning Level

This parameter sets the battery warning level. From the "(4) Other" section, select [0] to align the battery warning voltage sensor.

- Set the DC supply voltage to 6.5 Volts.
- Press [ENTER] to lock in the new data.

VX-600/900U Component Applications

Address	Parts Type	Description	Application
Q 1001	Dual Transister	XP1501-(TX)	TX5V AVR
Q 1002	Transister	CPH6102-TL	TX5V AVR
Q 1003	Dual Transister	UMZ2N TR	PTT
Q 1004	Dual Transister	UMG2N TR	TX/RX SW
Q 1005	Transister	2SD1767 T100 Q	LAMP DRIVER
Q 1006	Transister	PDTC114TE	LAMP SW
Q 1007	IC	TDA2822D013TR	EXT AF AMP
Q 1008	Transister	CPH6102-TL	AF AMP SW
Q 1009	IC	TK71650SCL	5V AVR
Q 1010	Transister	PDTC114TE	LAMP SW
Q 1011	IC	TDA2822D013TR	INT AF AMP
Q 1012	IC	BIC702CBZ	RF AMP
Q 1013	Transister	UN911F-(TX)	RX 5V SW
Q 1014	Dual Transister	UMG2N TR	TRX LED SW
Q 1015	Transister	2SA1774 TL R	CURRENT SENS
Q 1016	Hybird RF Module	M68732LA (typ AS1)	PA
Q 1016	Hybird RF Module	M68732HA (typ CS,D)	PA
Q 1016	Hybird RF Module	M68732SHA (typ F)	PA
Q 1017	Dual Transister	UMC5N TR	AF AMP SEL
Q 1018	Quadruple OP-AMP	NJM2902V	APC/RX TUNE/AF AMP
Q 1019	Transister	PDTC144EE	AF AMP SEL
Q 1020	Dual Transister	UMC5N TR	AF AMP SEL
Q 1021	IC	M62364FP 600D	D/A Converter
Q 1022	Quadruple OP-AMP	NJM2902V	MIC AMP/AF FILTER
Q 1023	Transister	PDTC144EE	TRX SW
Q 1024	Transister	PDTC144EE	PO OFF SW
Q 1025	Transister	UN911F-(TX)	SAVE SW
Q 1026	Transister	2SC3356-R25	Pre DRIVE
Q 1027	IC	AK2345-T4	AUDIO PROSSESOR
Q 1028	Transister	PDTC114TE	TRX SW
Q 1029	Transister	2SC5226-4-TL	Buff AMP
Q 1030	Transister	PDTC114TE	NARROW ATT SW
Q 1031	Transister	PDTC114TE	Buff AMP SW
Q 1032	Transister	2SC5226-4-TL	Buff
Q 1033	Transister	PDTC144EE	RX VCO SW
Q 1034	ID	S-80735SN-DZ-T1	RESET
Q 1035	Dual Transister	XN1501-(TX)	3.5V AVR
Q 1036	IC	TK71635SCL	3.5V AVR
Q 1037	Transister	CPH6102-TL	3.5V AVR
Q 1038	FET	2SK508-T2B K52	RX VCO
Q 1039	Transister	PDTC114TE	TX VCO SW
Q 1040	IC	S-93C56AMFN-TB	EEPROM
Q 1041	Transister	2SC4227-T2 R34	TX VCO
Q 1042	Transister	2SC4617 TL	RESET
Q 1043	Transister	2SC4617 TL	Ripple Filter
Q 1044	Transister	2SC5226-4-TL	IF AMP
Q 1045	Transister	PDTC144EE	Buff AMP SW
Q 1046	Transister	2SC5226-4-TL	Buff AMP
Q 1047	Transister	2SC4617 TL	Clock Shift
Q 1048	Transister	UN911F-(TX)	WIDE/NARROW SW
Q 1049	IC	TA31136FN(EL)	FM Sub-System IC
Q 1050	IC	LC87F72C8A	Main Microprocessor
Q 1051	Transister	2SC4617 TL	2ND LOCAL OSC

Q 1052	IC	BU2090FS-E1	BEEP CNTL/PORT CNTL
Q 1053	IC	SA7025DK	PLL IC
Q 1054	Transister	2SC4617 TL	FILTER AMP
Q 1055	Transister	2SC4617 TL	Reference OSC
Q 1056	Transister	PDTC144EE	Wide/Narrow SW
Q 1057	Transister	PDTC144EE	Wide/Narrow SW
Q 1058	IC	NJM2902V1	CTCSS DEC2
Q 1059	Transister	UN911F-(TX)	LAMP SW

D 1001	Dual Diode	DA221 TL	Protector
D 1002	Diode	MA2S111-(TX)	Protector
D 1003	Diode	MA2S111-(TX)	Protector
D 1004	Diode	MA2S111-(TX)	Protector
D 1005	Diode	HVU131	ANT SW
D 1006	Diode	MA2S111-(TX)	Protector
D 1007	Diode	MA2S111-(TX)	Protector
D 1008	Diode	MA2S111-(TX)	Protector
D 1009	Diode	MA2S111-(TX)	Protector
D 1010	Dual Diode	DA221 TL	Protector
D 1011	Zener Diode	PTZ TE25 15A	Protector
D 1012	Dual Diode	DA221 TL	Protector
D 1013	Dual Diode	DA221 TL	Protector
D 1014	Dual Diode	DA221 TL	Protector
D 1015	Diode	MA2S111-(TX)	TX/RX SW
D 1016	Diode	HVU131	ANT SW
D 1017	LED	LNJ808K8SRA	KEY LAMP
D 1018	LED	LNJ808K8SRA	KEY LAMP
D 1019	LED	LNJ808K8SRA	KEY LAMP
D 1020	LED	LNJ808K8SRA	KEY LAMP
D 1021	Dual Diode	RB715F T106	Power DET
D 1022	LED	LNJ808K8SRA	KEY LAMP
D 1023	LED	LNJ808K8SRA	KEY LAMP
D 1025	Diode	MA2S111-(TX)	Protector
D 1026	Zener Diode	UDZ TE17 3.9B	Protector
D 1027	Varactor Diode	HVC350B-TRF	RX tune
D 1028	Varactor Diode	HVC350B-TRF	RX tune
D 1029	Dual Diode	DA221 TL	TEMP DET
D 1030	Varactor Diode	HVC350B-TRF	RX tune
D 1031	Varactor Diode	HVC350B-TRF	RX tune
D 1032	Varactor Diode	HVC350B-TRF	RX tune
D 1033	Varactor Diode	HVC350B-TRF	RX tune
D 1034	Dual Diode	DA221 TL	LIMITTER
D 1035	Dual Diode	MA132WK-(TX)	TX/RX SW
D 1036	Diode	MA2S111-(TX)	Protector
D 1037	FET	GN2011-Q(TX)	MIXER
D 1038	Dual Diode	DA221 TL	LIMITTER
D 1039	Diode	MA2S111-(TX)	Protector
D 1040	Diode	MA2S111-(TX)	Protector
D 1041	Diode	MA2S111-(TX)	Protector
D 1042	Diode	MA2S111-(TX)	Protector
D 1043	Varactor Diode	HVC350B-TRF	MOD

D 1044	Diode	MA2S111-(TX)	Protector
D 1045	Dual Diode	DA221 TL	RESET
D 1046	Zener Diode	HZU4ALL-TR	Protector
D 1047	Diode	MA2S111-(TX)	Protector
D 1048	Varactor Diode	HVC350B-TRF	RX VCO Freq Cont
D 1049	Varactor Diode	HVC350B-TRF	RX VCO Freq Cont
D 1050	Varactor Diode	HVC350B-TRF	TX VCO Freq Cont
D 1051	Varactor Diode	HVC350B-TRF	RX VCO Freq Cont
D 1052	Varactor Diode	HVC350B-TRF	RX VCO Freq Cont
D 1053	Varactor Diode	HVC350B-TRF	TX VCO Freq Cont
D 1054	Dual Diode	DA221 TL	Limiter
D 1055	Diode	MA2S111-(TX)	Protector
D 1056	Dual Diode	DAN222 TL	Wide/Narrow SW
D 1057	Varactor Diode	HVC350B-TRF	FREQ TEMP CNTL
D 1058	Dual Diode	DA221 TL	NOISE DET
D 1059	Dual Diode	DA221 TL	NOISE DET
D 1060	Dual Diode	DAN222 TL	Wide/Narrow SW
D 1061	Varactor Diode	HVC350B-TRF	DEC MOD
D 1062	Varactor Diode	HVC350B-TRF	FREQ ADJ
D 1063	NOT USED	-	
D 1064	NOT USED	-	