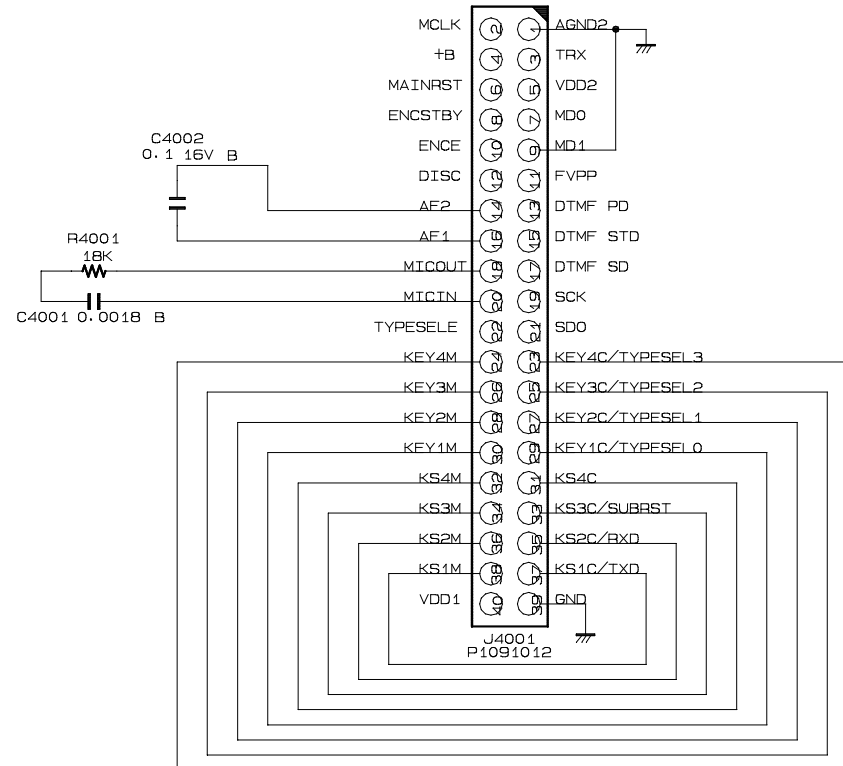


# DUMMY-UNIT



NOTE:  
 RESISTOR VALUES ARE IN  $\Omega$ , 1/16W :  
 CAPACITOR VALUES ARE IN  $\mu$ F, 50V :  
 (T)CAPACITOR VALUES ARE TANTALUM :  
 UNLESS OTHERWISE NOTED.

CIRCUIT DIAGRAM	MODEL **-****
DES. B-A12680000/DUMMY-UNIT	
REF. BP002780A.cir/001.sht	EDITION 000
DATE 5 NOV.. 1997	UPDATE 17 APR.. 1998
YAESU MUSEN CO.,LTD	