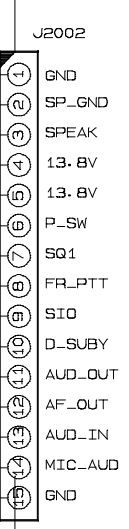
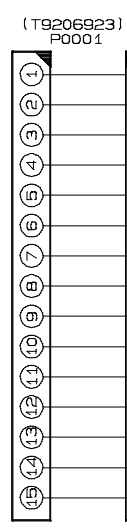
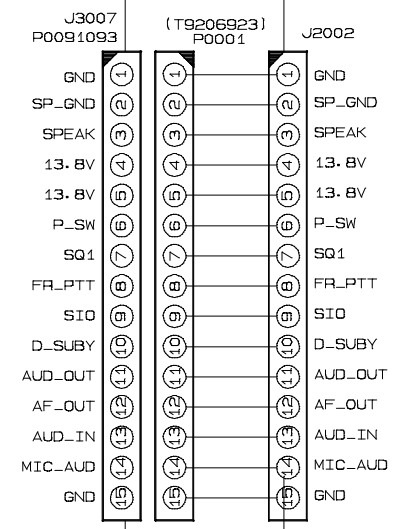
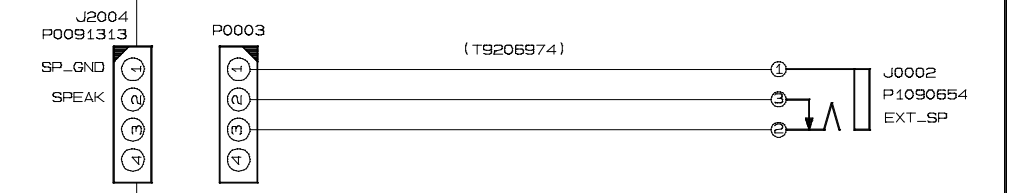
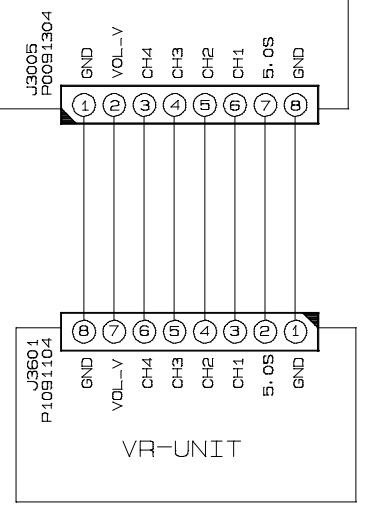
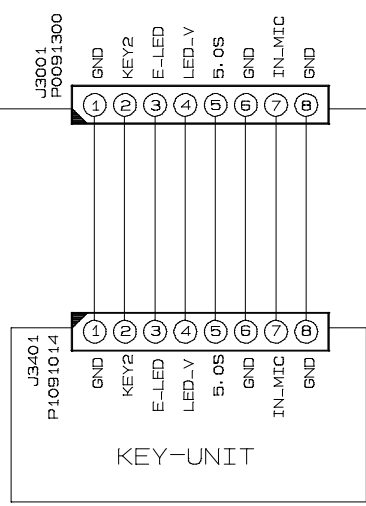
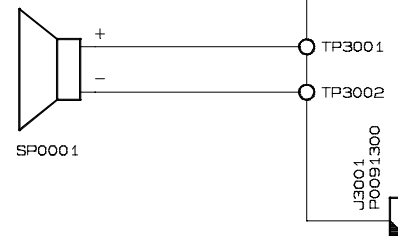
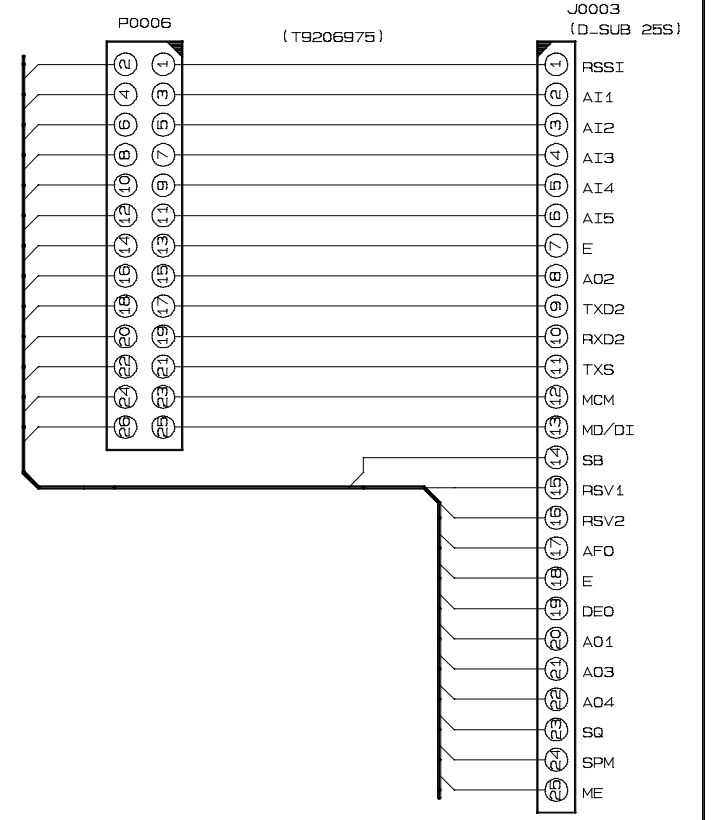
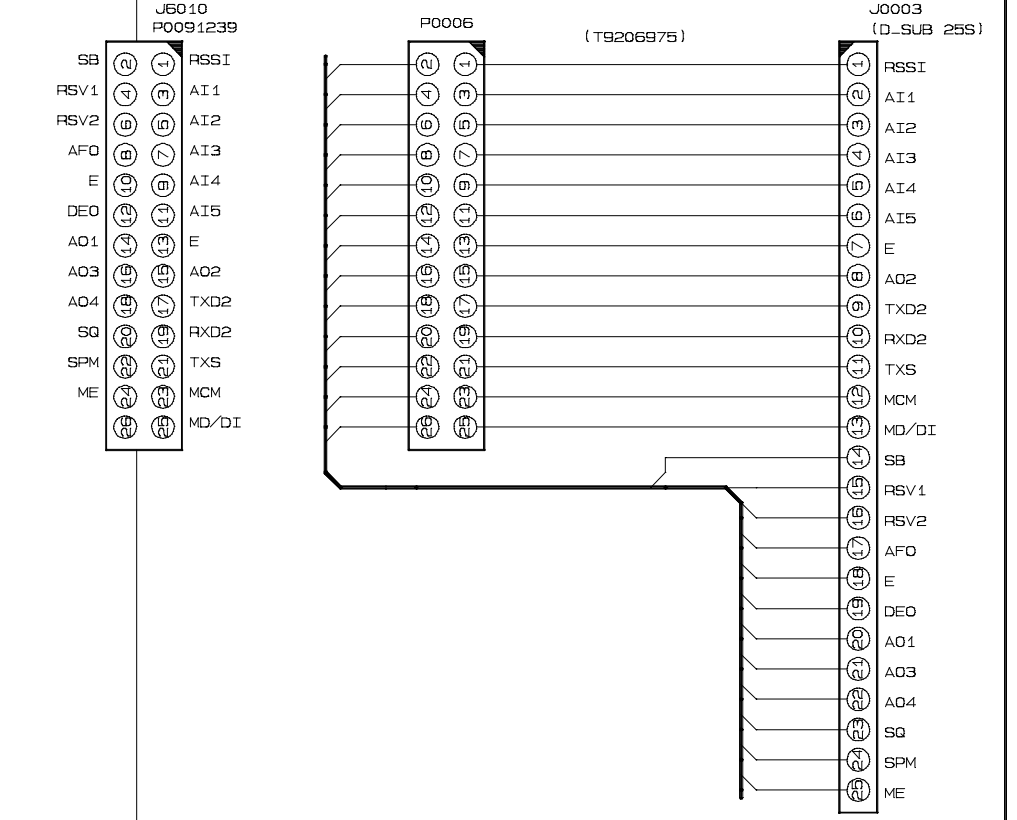
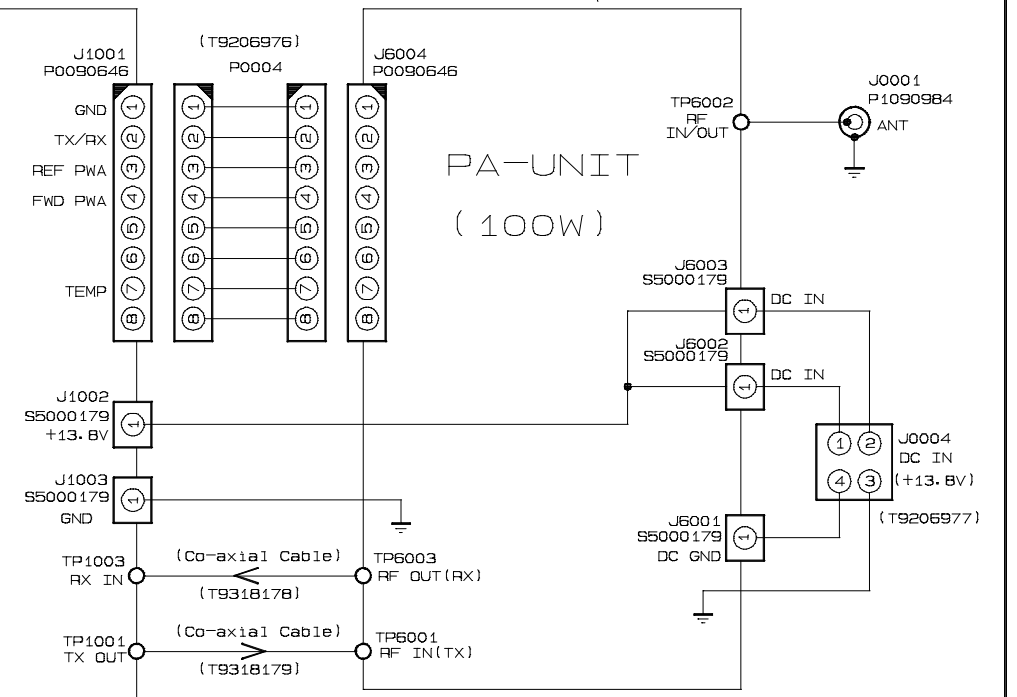
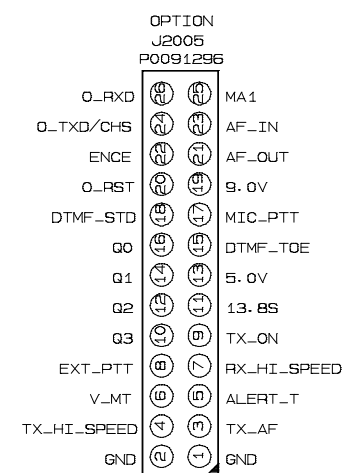


DISPLAY-UNIT



MAIN-UNIT



CIRCUIT DIAGRAM	MODEL VX-6000V
DES. B-AC024N0000/CONNECTION-DIAGRAM	
REF. BP009120-FCC.cir/001.sht EDITION	
DATE 26 OCT..2000	UPDATE 10 JUL..2001
VERTEX STANDARD CO.,LTD.	