

CIRCUIT DIAGRAM MODEL HX511U

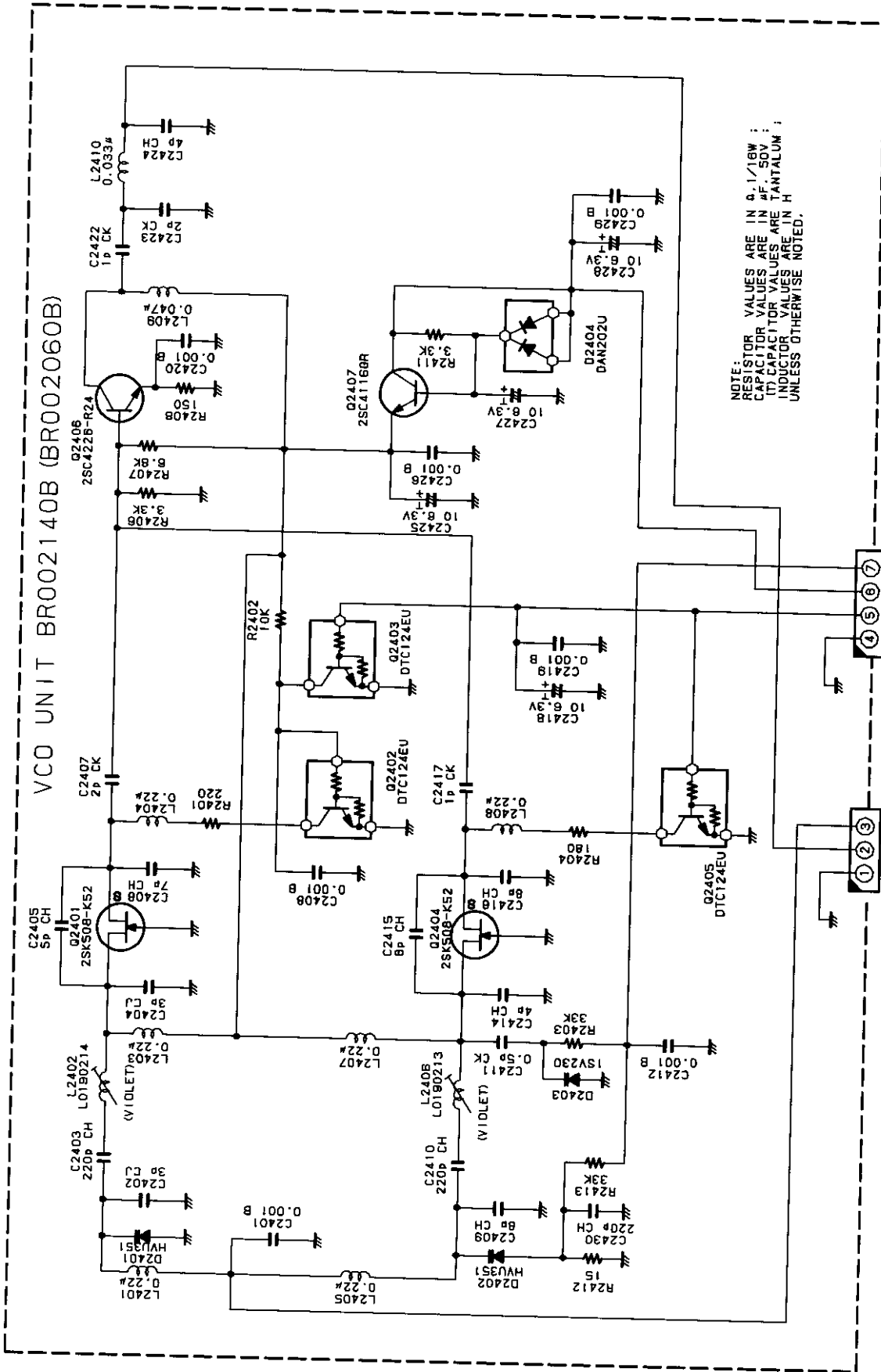
DES. B-AC006U000/VR-UNIT

REF. BP0063900 EDITION 000

DATE 09 JUN.. 1999 UPDATE 09 JUN.. 1999

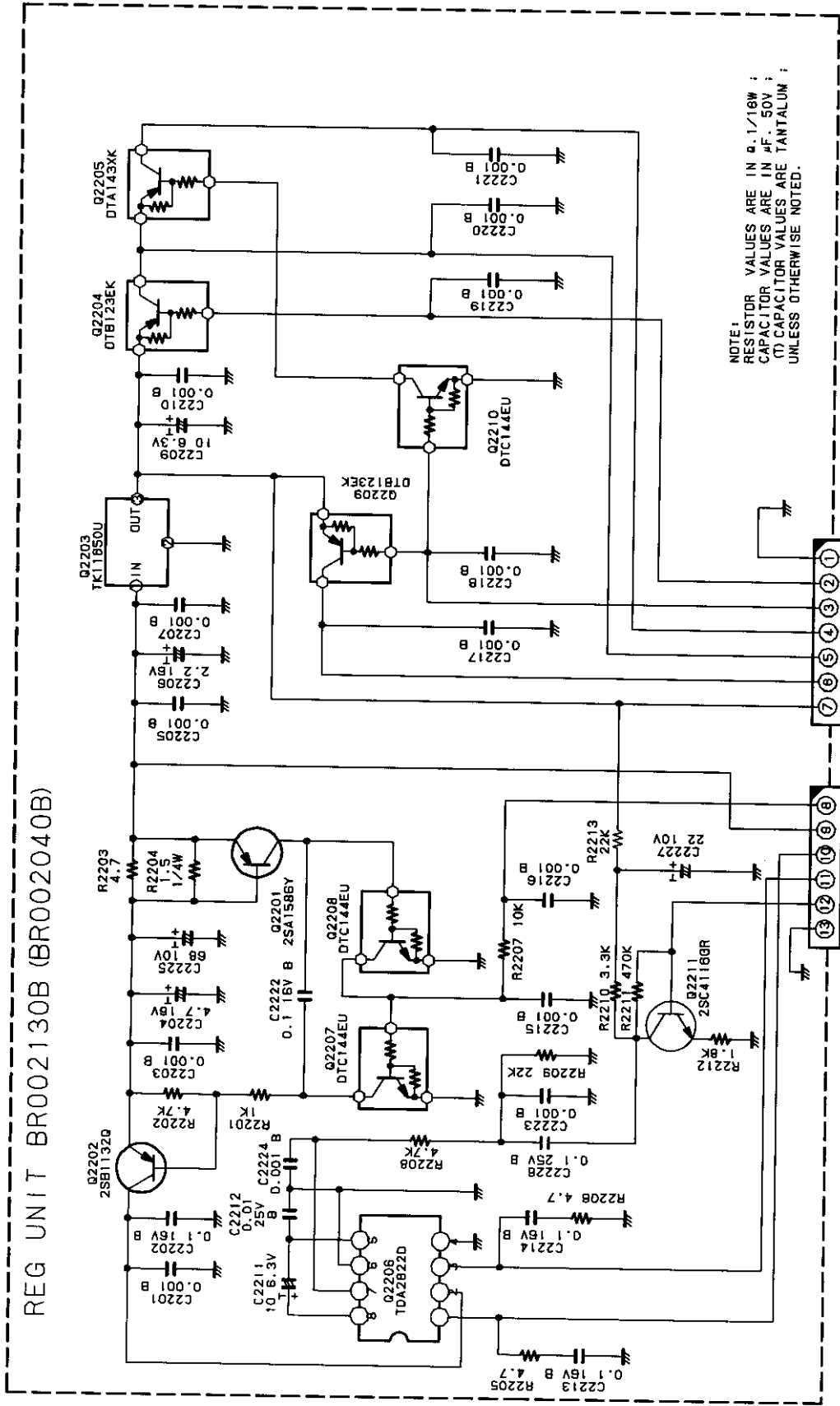
YAESU MUSEN CO., LTD

VCO UNIT BR002140B (BR002060B)



CIRCUIT DIAGRAM MODEL HX511U
 DES. B-AC006U000/VCO-UNIT
 REF. BP0063700 EDITION 000
 DATE 09 JUN..1999 UPDATE 09 JUN..1999
 YAESU MUSEN CO., LTD

REG UNIT BR002130B (BR002040B)



NOTE:
RESISTOR VALUES ARE IN Ω, 1/16W ;
CAPACITOR VALUES ARE IN μF, 50V ;
(T) CAPACITOR VALUES ARE TANTALUM ;
UNLESS OTHERWISE NOTED.

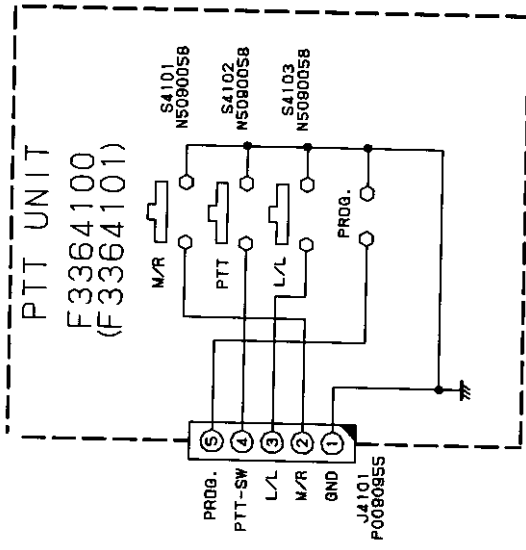
CIRCUIT DIAGRAM MODEL HX511U
DES. B-AC006U000/REG-UNIT
REF. BP0063500 EDITION 000
DATE 09 JUN., 1999 UPDATE 09 JUN., 1999
YAESU MUSEN CO., LTD

J2203
P0090675

- 1 GND
- 2 SAVE
- 3 TX
- 4 RXSV
- 5 SAVE SV
- 6 TXSV
- 7 CONT SV

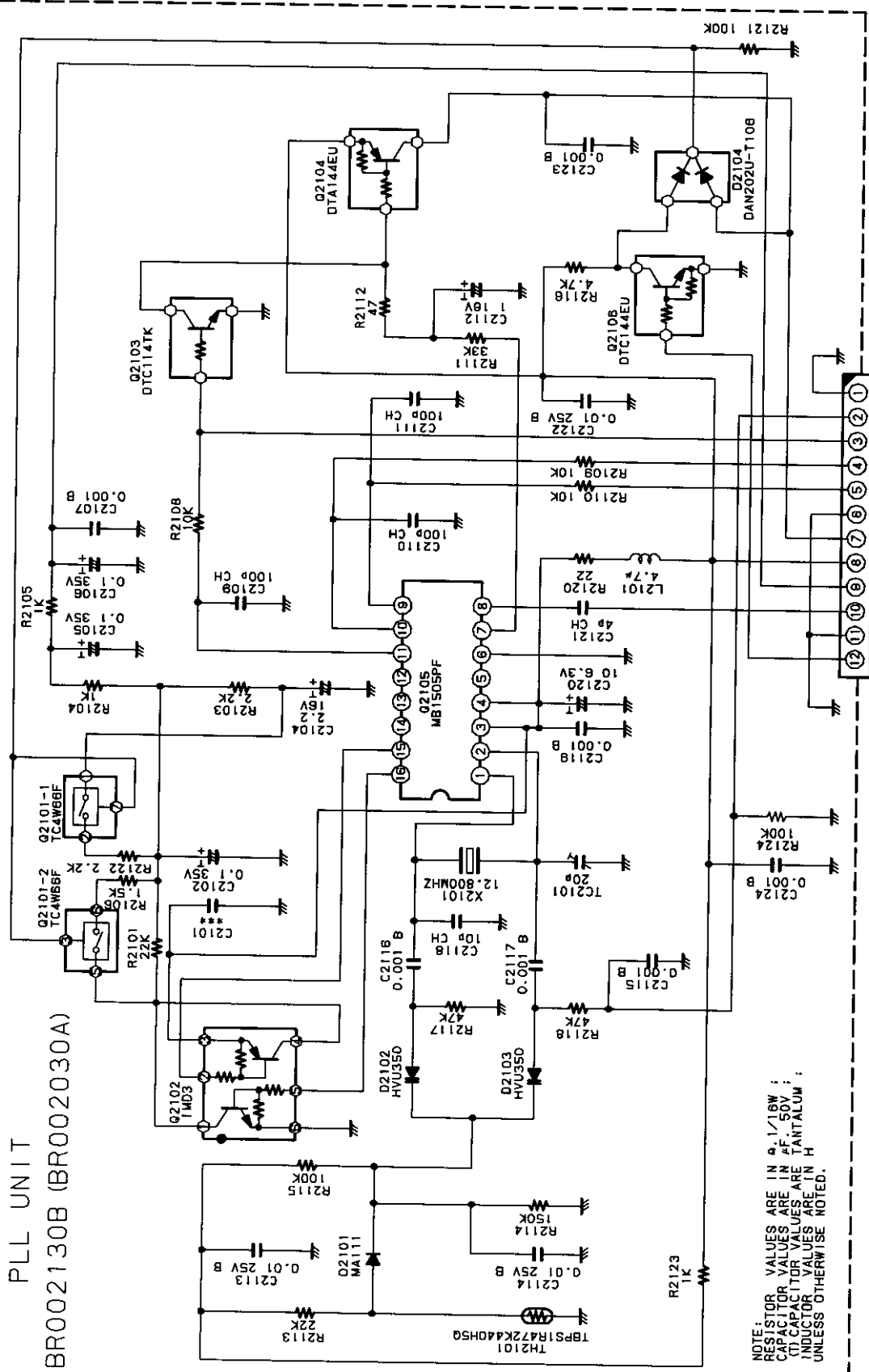
J2201
P0090675

- 1 GND
- 2 AF
- 3 SP (-)
- 4 SP (+)
- 5 +B
- 6 SP. CNTL.
- 7
- 8
- 9
- 10
- 11
- 12
- 13



CIRCUIT DIAGRAM	MODEL HX511U
DES.	B-AC006U000/PTT-UNIT
REF.	BP0064000 EDITION 000
DATE	09 JUN., 1999 UPDATE 09 JUN., 1999
YAESU MUSEN CO., LTD	

PLL UNIT
BR002130B (BR002030A)

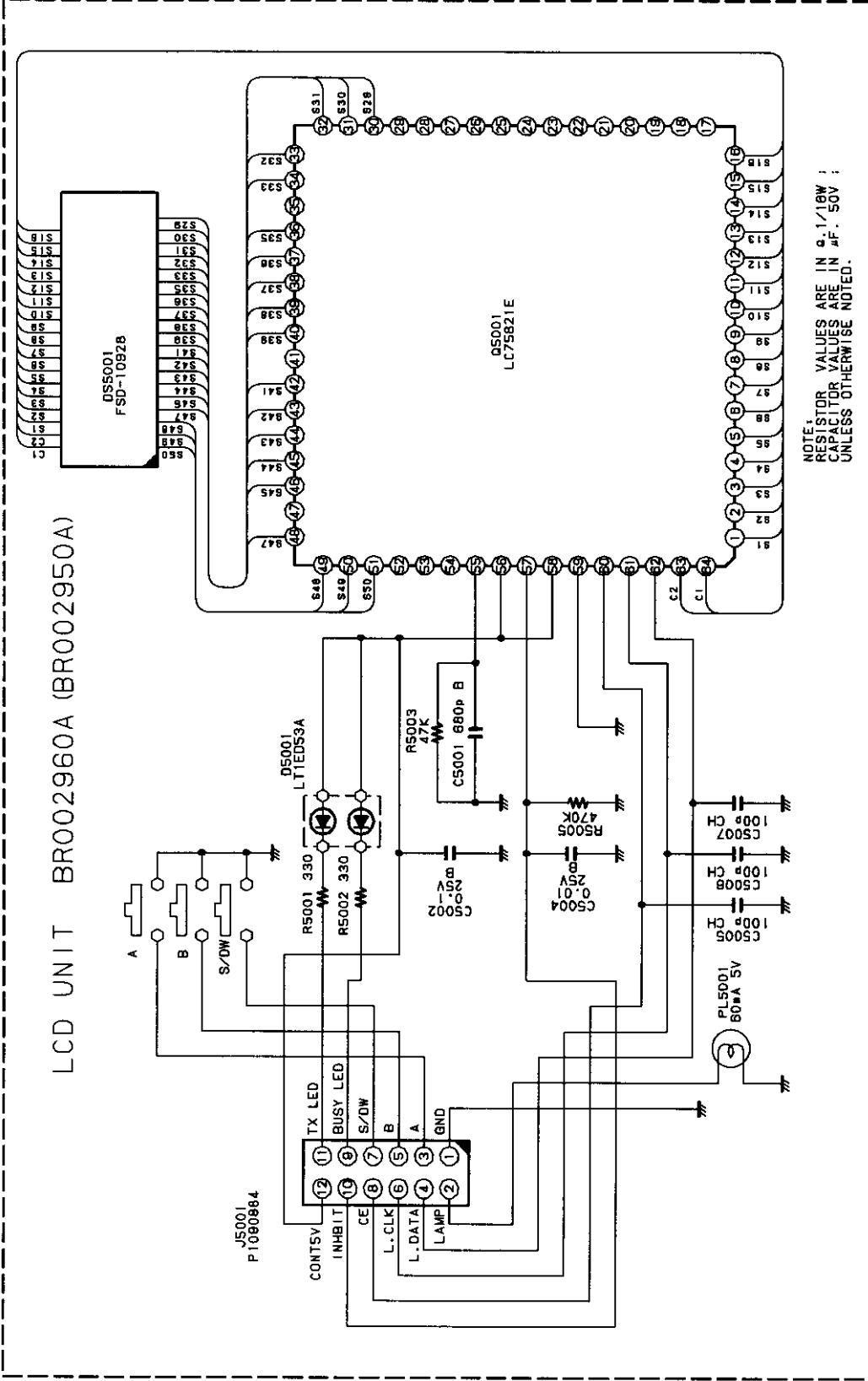


NOTE: RESISTOR VALUES ARE IN Ω, 1/16W ;
CAPACITOR VALUES ARE IN pF, 50V ;
C1 CAPACITOR VALUES ARE TANTALUM ;
INDUCTOR VALUES ARE IN H
UNLESS OTHERWISE NOTED.

- J2101 P0090677
- ① GND
 - ② REF. MOD
 - ③ P. STB
 - ④ DATA
 - ⑤ CLK
 - ⑥ GND
 - ⑦ UL
 - ⑧ SAVESV
 - ⑨ VCV
 - ⑩ RF
 - ⑪ GND
 - ⑫ TXSV

CIRCUIT DIAGRAM MODEL HX511U
DES. B-AC006U000/PLL-UNIT
REF. BP0063400 EDITION 000
DATE 09 JUN., 1999 UPDATE 09 JUN., 1999
YAESU MUSEN CO., LTD

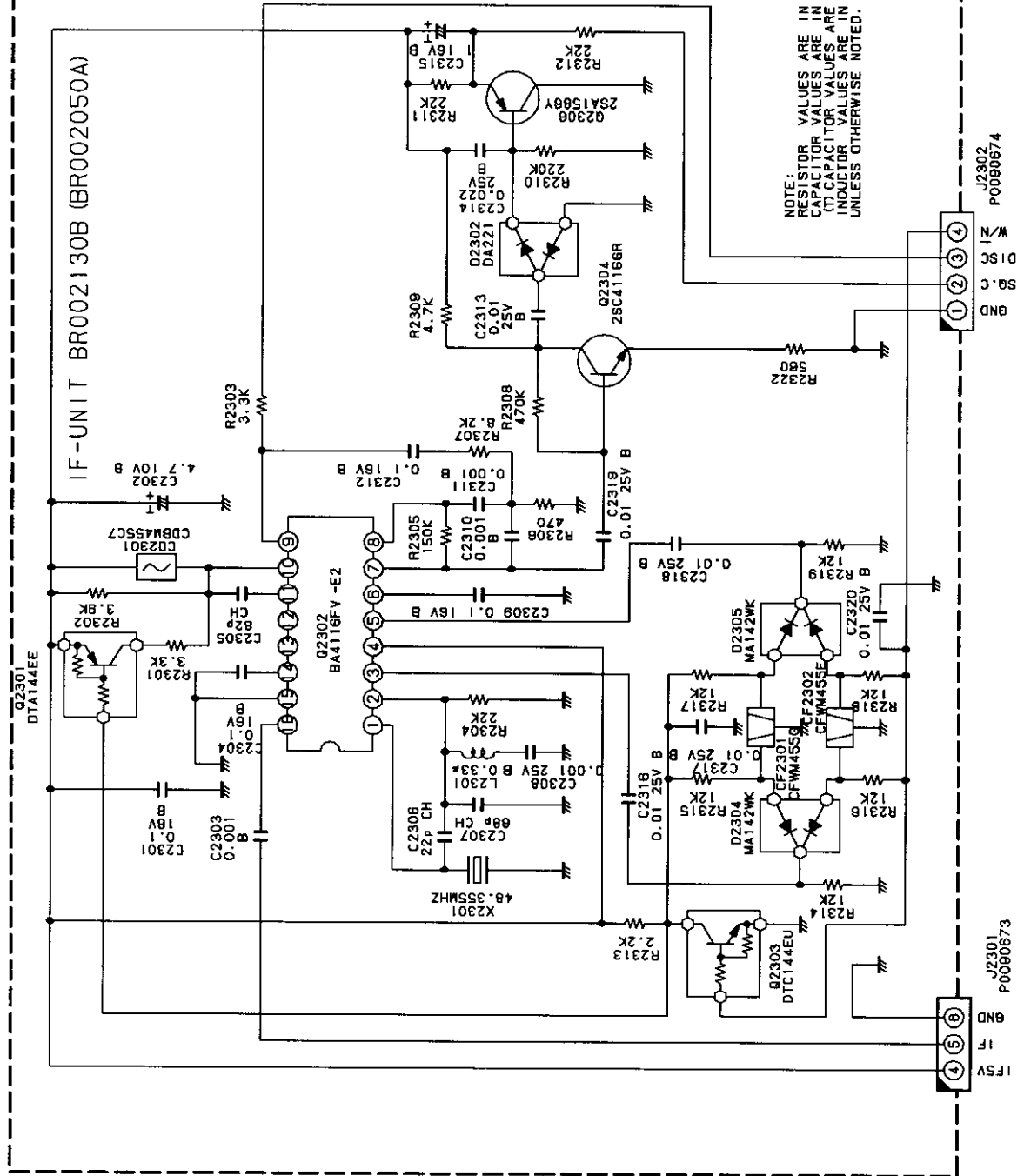
LCD UNIT BR002960A (BR002950A)



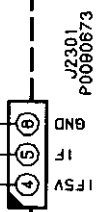
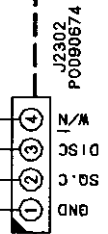
NOTE: RESISTOR VALUES ARE IN Ω, 1/10W ; CAPACITOR VALUES ARE IN μF. 50V ; UNLESS OTHERWISE NOTED.

CIRCUIT DIAGRAM MODEL HX511U
DES. B-AC006U000/LCD-UNIT
REF. BP0064100 EDITION 000
DATE 09 JUN., 1999 UPDATE 09 JUN., 1999
YAESU MUSEN CO., LTD

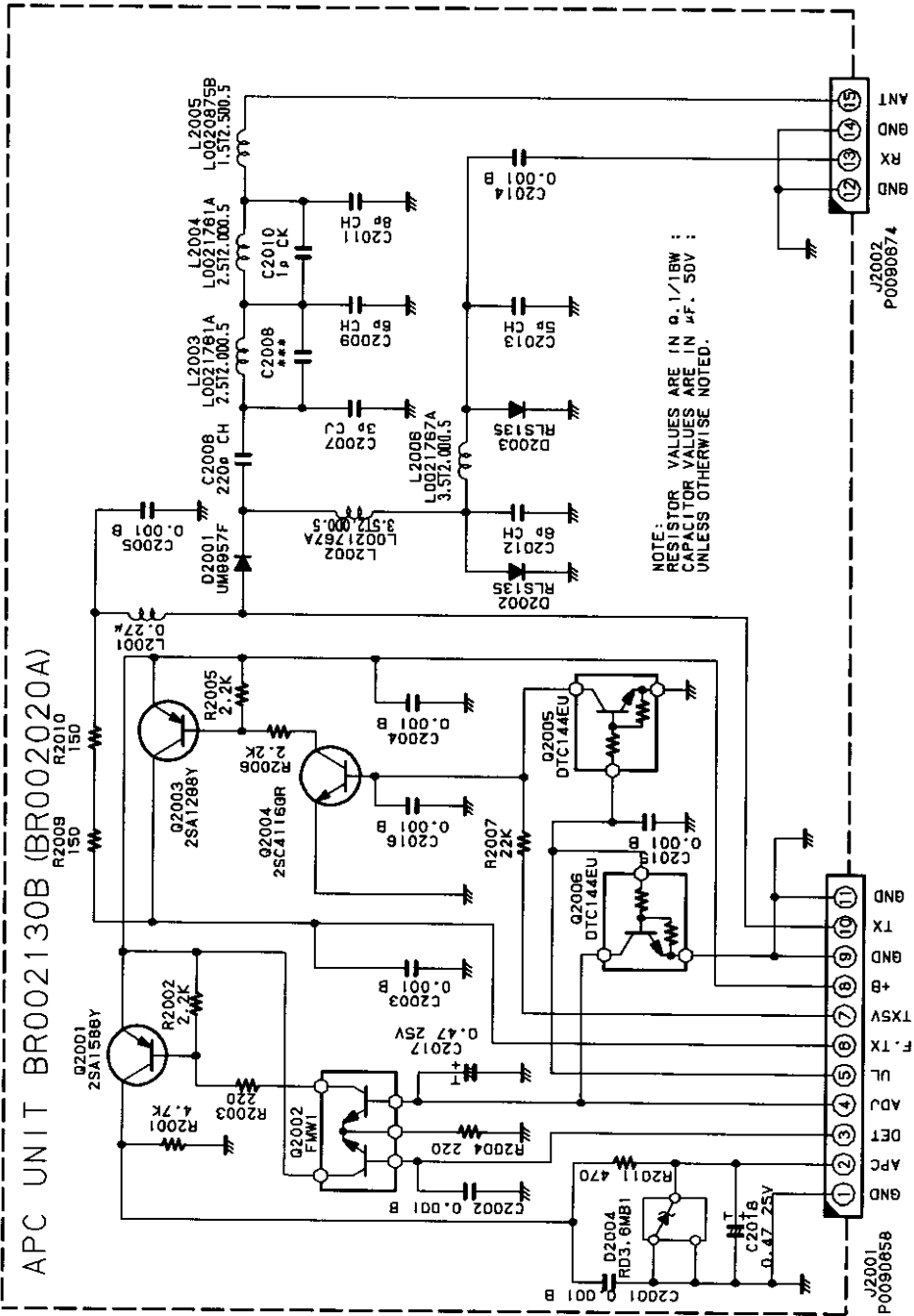
IF-UNIT BR002130B (BR002050A)



NOTE: RESISTOR VALUES ARE IN Ω , 1/18W ;
 CAPACITOR VALUES ARE IN μ F, 50V ;
 (T) CAPACITOR VALUES ARE TANTALUM ;
 INDUCTOR VALUES ARE IN H
 UNLESS OTHERWISE NOTED.

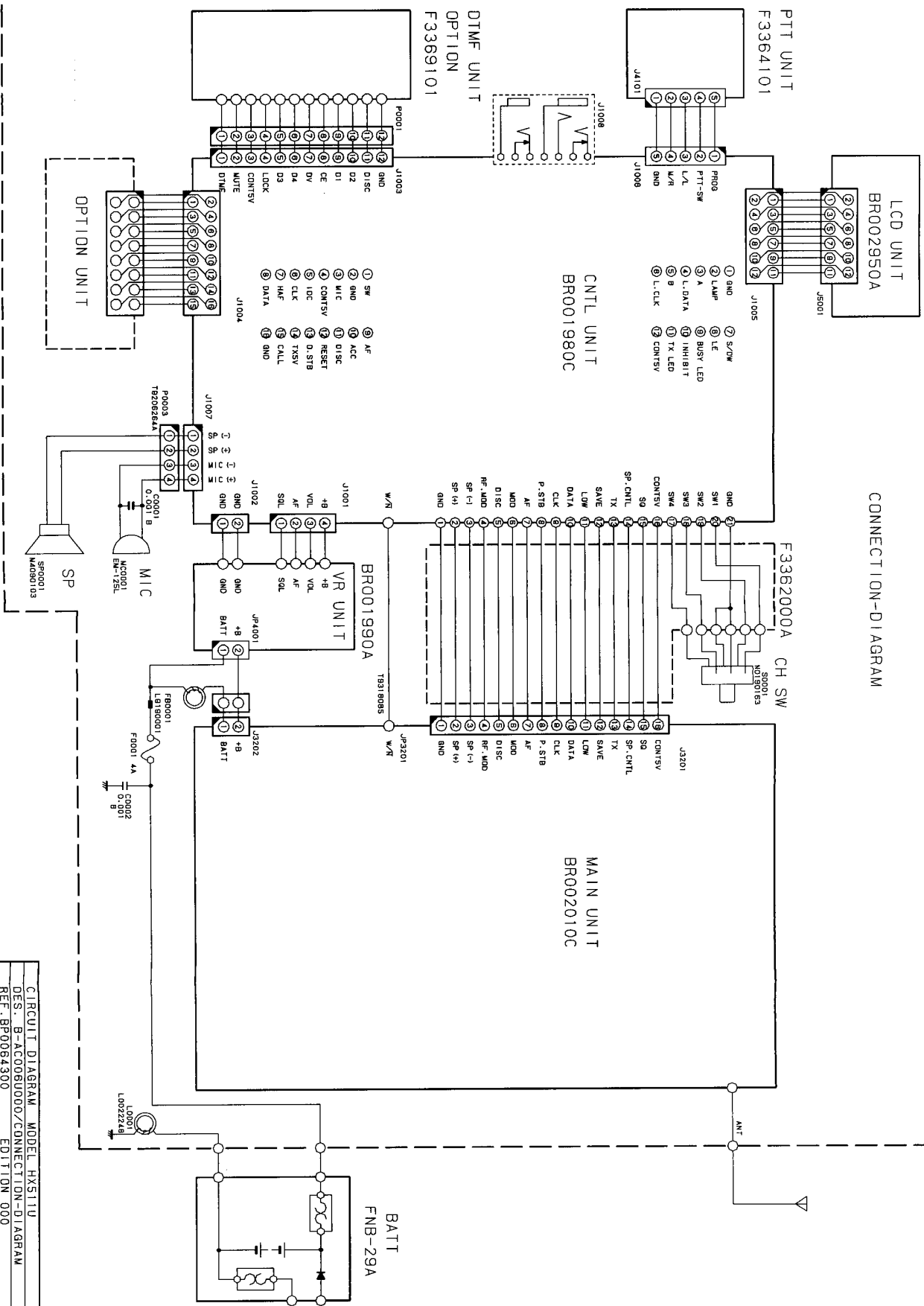


CIRCUIT DIAGRAM MODEL HX511U
 DES. B-AC006U000/IF-UNIT
 REF. BP0063600 EDITION 000
 DATE 09 JUN., 1999 UPDATE 09 JUN., 1999
 YAESU MUSEN CO., LTD



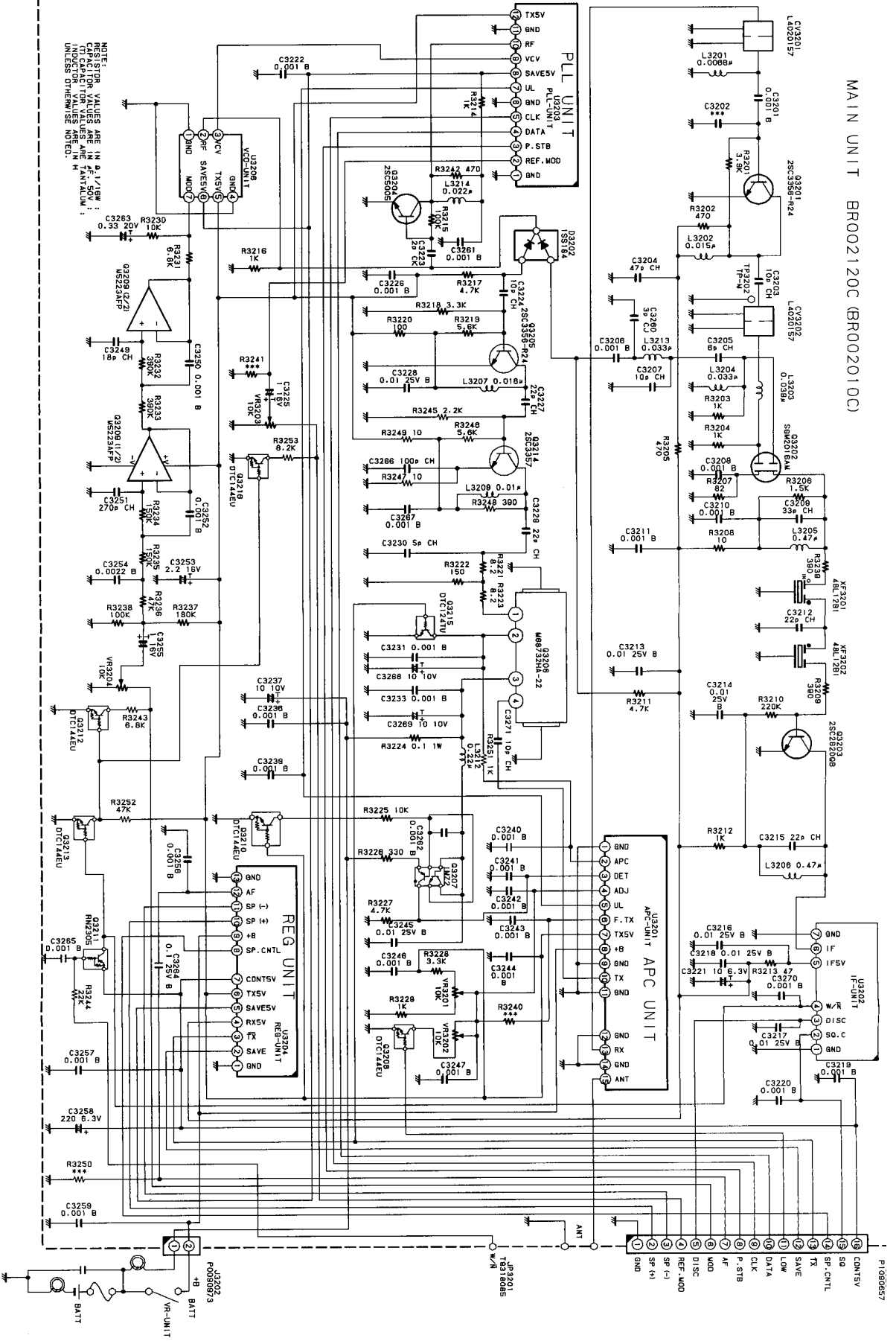
CIRCUIT DIAGRAM MODEL HX511U
 DES. B-AC006U000/APC-UNIT
 REF. BP0063300 EDITION 000
 DATE 09 JUN., 1999 UPDATE 09 JUN., 1999
 YAESU MUSEN CO., LTD

CONNECTION-DIAGRAM

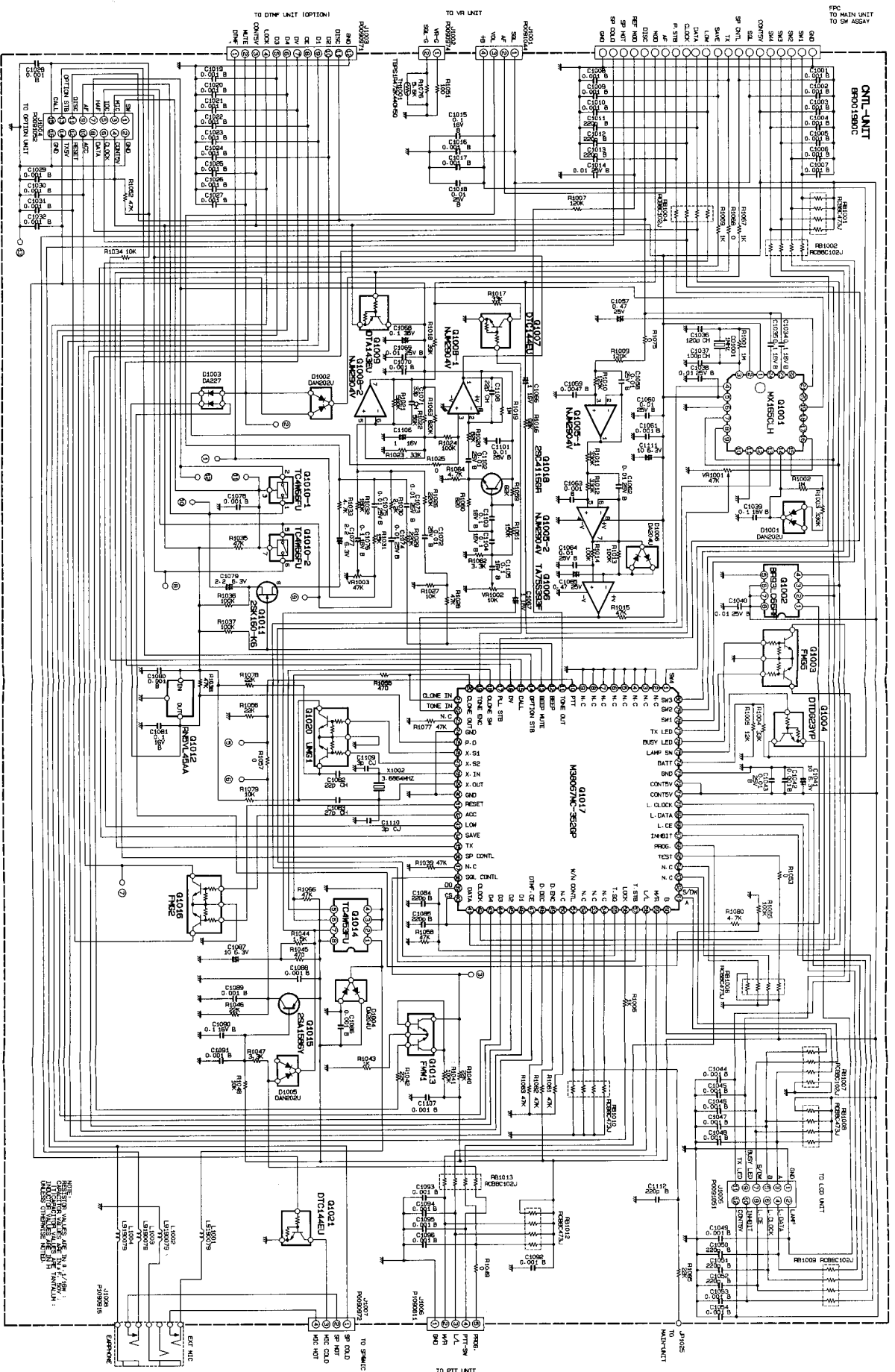


CIRCUIT DIAGRAM MODEL HXS11U
 DES. B-AC006U000/CONNECTION-DIAGRAM
 REF. BR0064300 EDITION 000
 DATE 09 JUN. 1999 UPDATE 09 JUN. 1999
 YAESU MUSEN CO., LTD

MAIN UNIT BR002120C (BR002010C)



CIRCUIIT DIAGRAM MODEL HX511U
 DES. B-AC006000/MAN-IN-UNIT
 REF. BP0063200 EDITION 000
 DATE 09 JUN.. 1999 UPDATE 09 JUN.. 1999
 YAESU MUSEN CO., LTD



CIRCUIT DIAGRAM MODEL H8311U
 DES. A0061000/CVT-UNIT
 REF. B9005900
 DATE 08 JAN. 1959 U/P/DATE 21 JUN. 1959
 YASU HISEN CO., LTD.

NOTE: DIMENSIONS ARE IN INCHES.
 DIMENSIONS IN PARENTHESES ARE IN MILLIMETERS.
 DIMENSIONS IN PARENTHESES ARE IN MILLIMETERS.