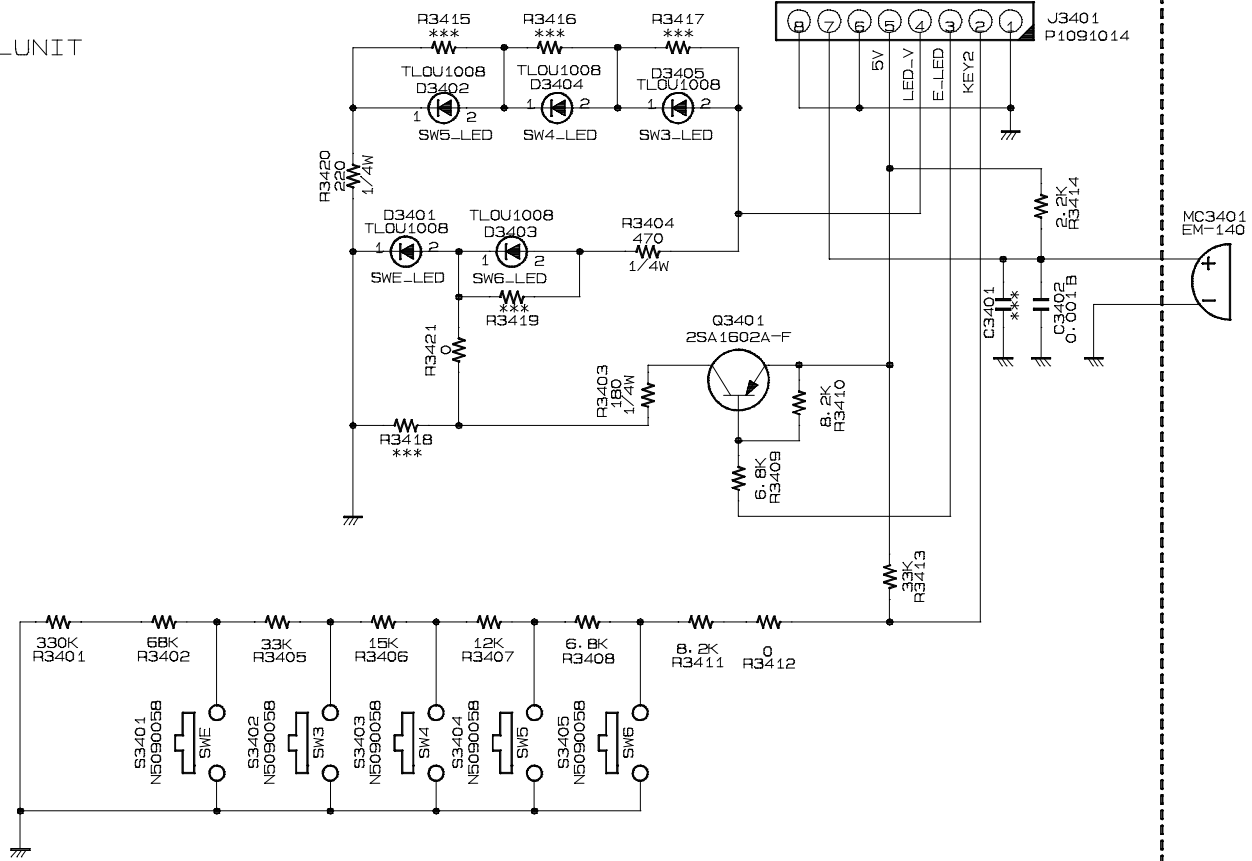


KEY_UNIT



CIRCUIT DIAGRAM	MODEL VX-4000
DES. B-AC005L000/KEY-UNIT	
REF. BPO08350D.cir/001.sht	EDITION
DATE 11 DEC., 2000	UPDATE 11 DEC., 2000
VERTEX STANDARD CO., LTD.	